

Product Features

- Fit 3 1/2" to 4" Opening
- Extra Heavy Duty Cast Brass Construction
- Brass Basket with Brass Adjustable Post and Stopper
- Heavy Duty Brass Lock Nut
- Extra Thick Rubber Gasket
- With 4" 20GA Color Matched Brass Tailpiece
- Machine Cut Threads



4PRODBSWTPBN

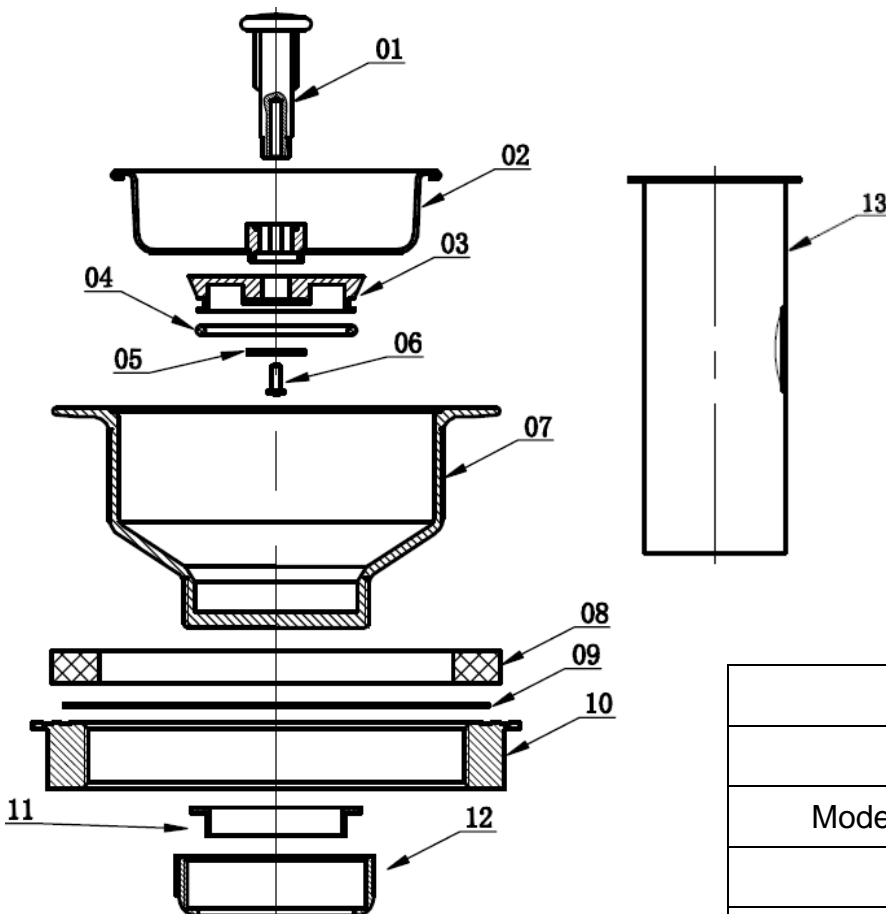
Model Numbers

4PRODBSWTPCP

4 1/2" Cast Brass Strainer w/Tailpiece,CP

4PRODBSWTPBN

4 1/2" Cast Brass Strainer w/Tailpiece,BN



NO.	PART	MATERIAL
1	POST	BRASS
2	BASKET	BRASS
3	BOTTOM COVER	BRASS
4	O-RING	RUBBER
5	WASHER	SS304
6	SCREW	SS201
7	BODY	BRASS
8	WASHER	RUBBER
9	WASHER	FIBER
10	LOCK NUT	ZINC
11	WASHER	LDPE
12	SLIP NUT	ZINC
13	TAILPIECE	BRASS

Job Name	
Date	
Model Specified	
Quantity	
Customer	
Contractor	
Architect/engineer	