

STERLING®

A KOHLER COMPANY

MIDDLETON™

TOP-MOUNT KITCHEN SINK 14708

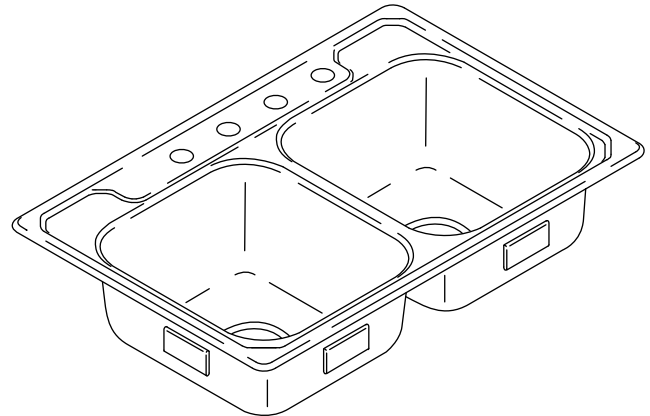
Features

- 20-gauge stainless steel
- Includes SilentShield® sound-absorption technology
- Double (equal) bowl, ledge back sink
- Top-mount, rolled rim
- Satin deck and luster bowls
- 33" (83.8 cm) x 22" (55.9 cm) x 8" (20.3 cm)

Codes/Standards Applicable

Specified model meets or exceeds the following:

- ASME A112.19.3/CSA B45.4



Colors/Finishes

- NA: None applicable

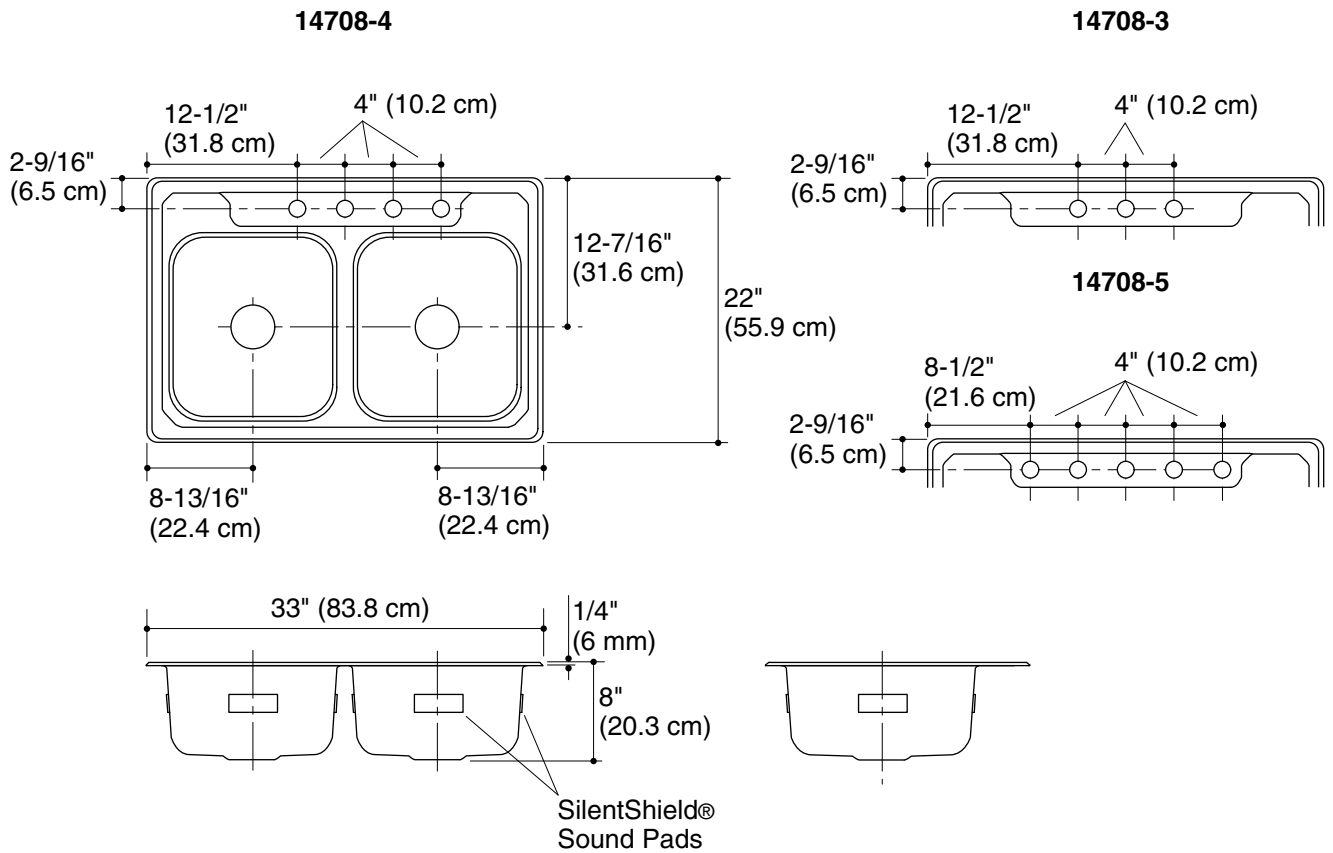
Specified Model

Model	Description	Holes	Quantity	Bowl Depth	Colors/Finishes
14708-3	Top-mount kitchen sink	3	1	8" (20.3 cm)	<input type="checkbox"/> NA
14708-4	Top-mount kitchen sink (shown)	4	1	8" (20.3 cm)	<input type="checkbox"/> NA
14708-5	Top-mount kitchen sink	5	1	8" (20.3 cm)	<input type="checkbox"/> NA
F14708-3	Top-mount kitchen sink, multi-pack	3	40	8" (20.3 cm)	<input type="checkbox"/> NA
F14708-4	Top-mount kitchen sink, multi-pack	4	40	8" (20.3 cm)	<input type="checkbox"/> NA
F14708-5	Top-mount kitchen sink, multi-pack	5	40	8" (20.3 cm)	<input type="checkbox"/> NA

MIDDLETON™

Technical Information

Fixture*: Sink	
Cutout size	32-1/2" (82.6 cm) x 21-1/2" (54.6 cm) with 1/2" (1.3 cm) radius corners.
Bowl areas	14" (35.6 cm) x 15-1/8" (38.4 cm)
Drain holes	3-5/8" (9.2 cm) D.
Faucet holes	1-7/16" (3.7 cm) D.
* Approximate measurements for comparison only.	



Product Diagram