

Features

- HydroRail-R arch shower column designed for new installations or retrofit applications to replace an existing shower arm.
- Diverter positioned at the base of the column makes for easy toggling between the handshower and rainhead.
- Slidebar bracket allows you to adjust the height and angle of the handshower.
- 2.0 gpm (7.6 l/min) maximum flow rate.
- Shift Ellipse multifunction handshower offers full coverage and targeted massage spray options.
- Handshower contains flow-regulating check valve for backflow prevention.
- 8" Awaken[®] rain showerhead with a full coverage spray and an adjustable ball joint for precise spray adjustment.

Material

- HydroRail-R and hose made of premium metal construction.
- KOHLER finishes resist corrosion and tarnishing.

Installation

- Shower-only wall-mount installation.
- Installs in less than 60 minutes without changes to in-wall plumbing (subject to condition of existing installation).
- Includes an adapter that fits most installations.

Adapters, Rough-in and Extension Kits

1187917	Range: 0" (0 mm) - 1-3/8" (35 mm)
1194630	Range: 2-7/8" (73 mm) - 4" (102 mm)

Recommended Products/Accessories

K-23723 Faucet cleaner

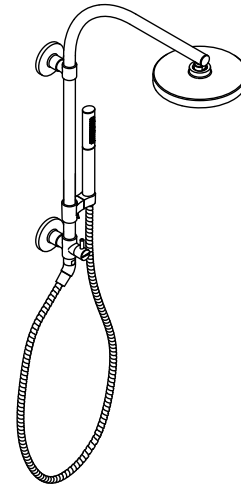
Optional Products/Accessories

K-9660 Vacuum Breaker
1194302

Included Components

Additional Components:

45211
45415-A
76464
9514



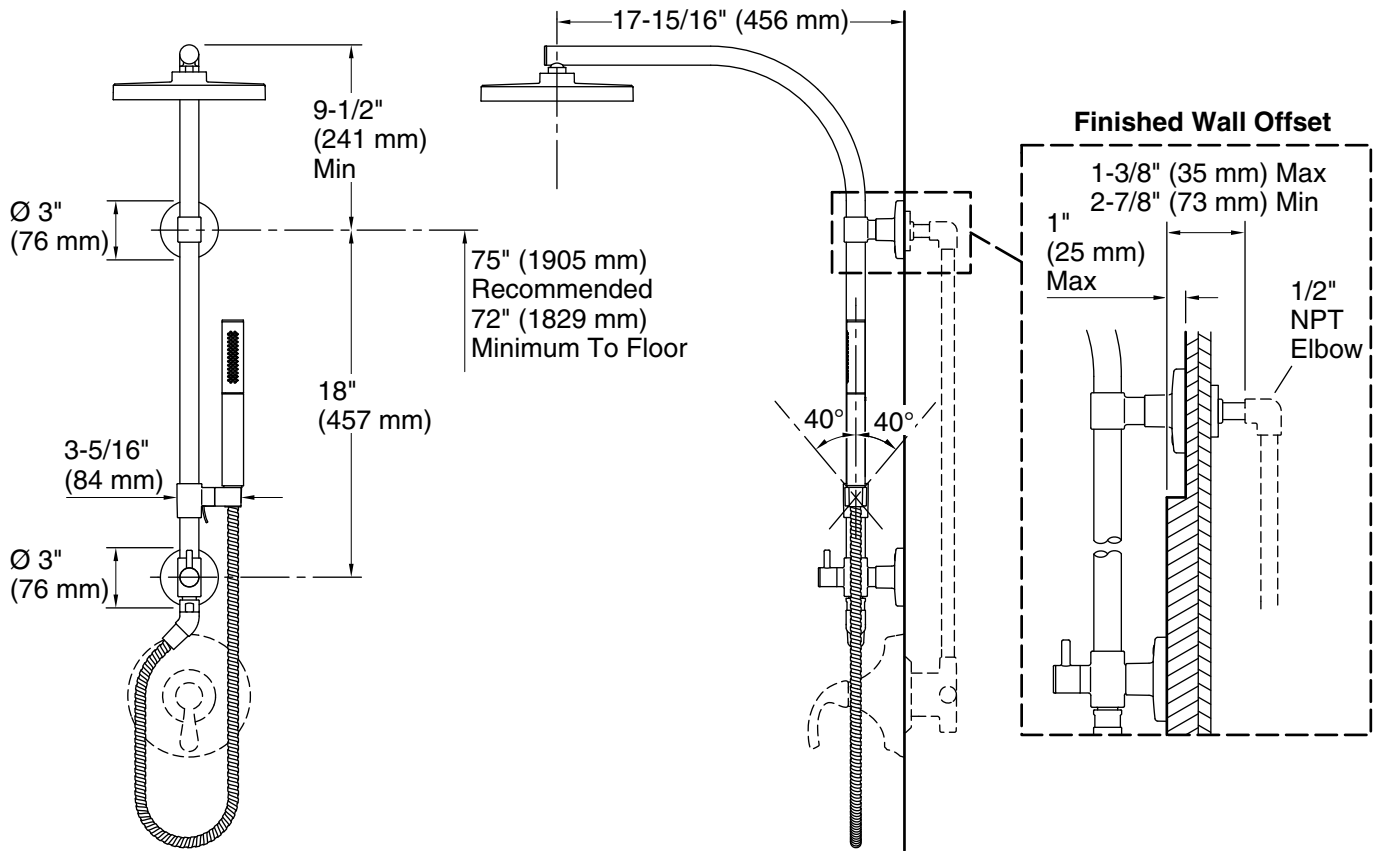
OBC

Codes/Standards

ASME A112.18.1/CSA B125.1
DOE - Energy Policy Act 1992
OBC

KOHLER[®] Faucet Lifetime Limited Warranty

See website for detailed warranty information.



Technical Information

All product dimensions are nominal.

Drain included: No

Handshower:

Rated maximum flow: 2 gal/min (7.6 l/min)

Pressure: 80 psi (5.5 bar)

Showerhead/Body Spray:

Rated maximum flow: 2 gal/min (7.6 l/min)

Pressure: 80 psi (5.5 bar)

Notes

For use with automatic compensating valves rated at 1.77 gal/min (6.7 l/min) or less.

Install this product according to the installation instructions.

Plumbing codes may require an atmospheric vacuum breaker be installed in-line to handshowers. Consult with local codes.

Order deep roughing-in kit if the distance from the elbow to the finished wall surface is between 2-7/8" (73 mm) to 4" (102 mm).

Order shallow roughing-in kit if the distance from the elbow to the finished wall surface is less than 1-3/8" (35 mm).

A 3" (76 mm) escutcheon/mounting collar is supplied to fit a 1" (25 mm) to 1-1/4" (32 mm) supply connection hole diameter. Order large escutcheon/mounting collar kit if the supply connection hole diameter is between 1-1/4" (32mm) to 2-1/4" (57 mm).

OBC compliant when installed to the specific