

**SUBMITTAL SHEET**

JOB NAME	ITEM TAG
JOB LOCATION	PART NUMBER
CONTRACTOR	DATE
ENGINEER APPROVAL	DATE

**BOILER DRAIN**

**Model T/S-521**

CSA and NSF 61-9 certified

**Working Pressure, Non Shock (PSI)**

Cold working pressure (CWP): 125 CWP

Saturated steam (WSP):



**NSF 61-8**



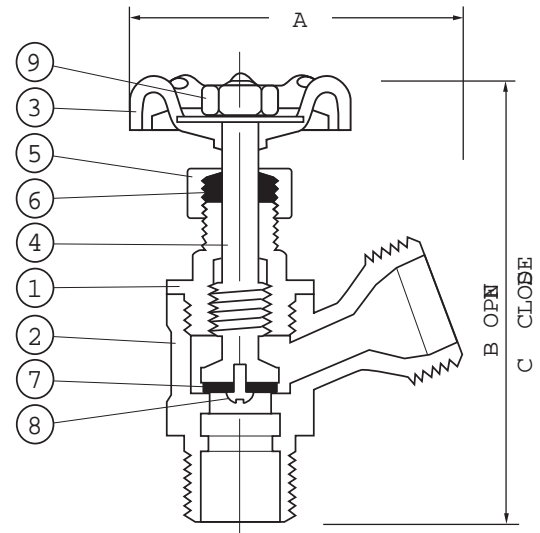
*Pictured*  
**Model T/S-521**

**MATERIAL SPECIFICATION**

PART	MATERIAL	SPECIFICATION
1 Bonnet	Brass	ASTM B584-C85700
2 Body	BRASS	ASTM B584-C85700
3 Handle	Cast iron	ASTM A48 CLASS 35
4 Stem	Brass	ASTM B584-C85700
5 Packing nut	Brass	ASTM B16-C36000
6 Packing	Asbestos free graphite	
7 Seat	Epdm	
8 Seat screw	Brass	ASTM B134-C27000
9 Handle nut	Steel	AISI-1010 PLATED

**DIMENSIONS**

Size	A	B	C
1/2"	2.60	3.60	3.40
3/4"	2.60	3.73	3.50



*Pictured*  
**Model T/S-521**  
Cut-away