



4675 W. 160th St.
Cleveland, Ohio 44135
Ph: (800) 321-9532
Fax: (800) 321-9535
www.dearbornbrass.com

SUBMITTAL SPECIFICATION

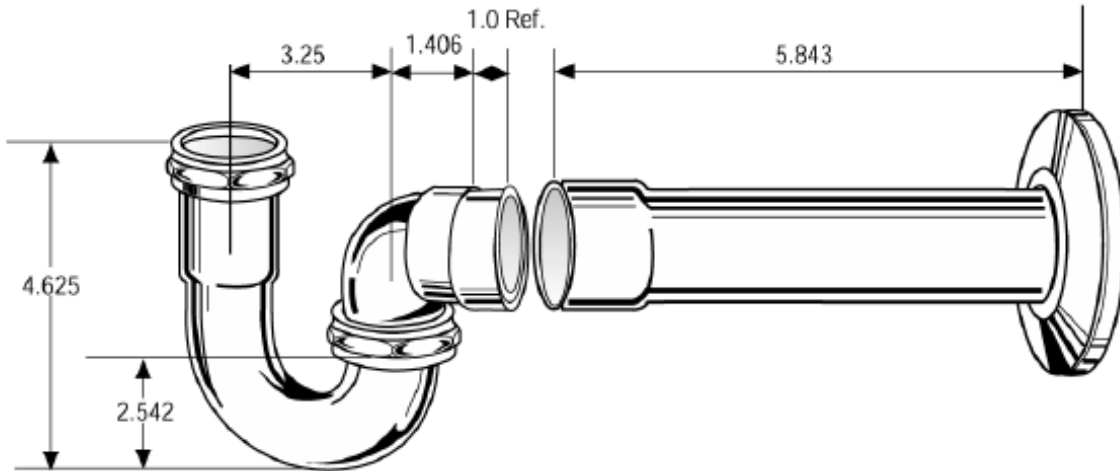
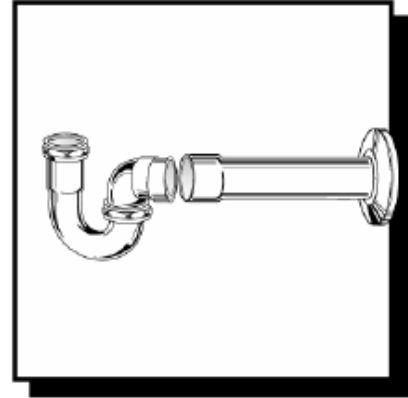
**BRASS TUBULAR
SINK TRAPS
WITH EXTENSION COVER TUBE**

Engineering Specification: Dearborn Brass Sink Traps with Extension Tube Covers are designed for use in tubular drain applications. Available options include ABS or PVC adapter and Chrome or Polished Brass Finish.

Job Reference

DESCRIPTION

- Chrome or Polished Brass Finish
- 17 Gauge Brass
- Sink Trap with Cover Tube
 - Metal Flange
 - Sink J-Bend with Ground Joint Flange
 - Cover Tube (Chrome or Polished Brass)
 - Schedule 40 Adapter (ABS or PVC)
 - (1) Brass Nut
 - (1) Rubber Washer
 - (1) Polyethylene Reducing Washer



✓	Product No.	Description	Carton Quantity	Carton Weight (lbs)
	730GPBN-6-1	1-½" x 1-¼" Sink Trap with Sch 40 PVC Adapter, Ground Joint, Cover Tube with Escutcheon and Brass Nut – Chrome Finish	5	6
	730GABN-6-1	1-½" x 1-¼" Sink Trap with Sch 40 ABS Adapter, Ground Joint, Cover Tube with Escutcheon and Brass Nut – Chrome Finish	5	11
	730GPPB-3	1-½" x 1-¼" Sink Trap with Sch 40 PVC Adapter, Ground Joint, Cover Tube with Escutcheon and Brass Nut – Polished Brass Finish	5	12

Data is subject to manufacturing tolerances.