

STERLING®

A KOHLER COMPANY

FINESSE™

Features

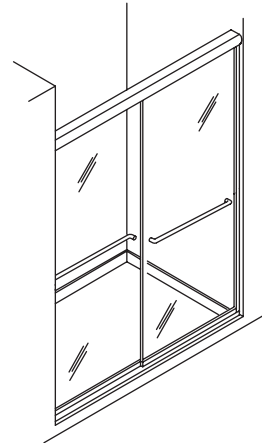
- CleanCoat™ glass coating
- Heavy-duty, anodized aluminum-framed glass doors
- Out-of-plumb adjustability allows for easy installation
- Aluminum components extruded from alloy 6063-T5
- 1/4" (6 mm) thick tempered glass
- Tempered glass ensures maximum safety and durability
- Two designer towel bars, located both inside and outside, enhance appearance and usability
- Reversible top track can be installed with either the round or flat side facing out
- Stainless steel hardware prevents rusting or corrosion

Codes/Standards Applicable

Specified model meets or exceeds the following:

- ANSI Z97.1 (tempered glass)
- 16 CFR Part 1201

FRAMELESS BY-PASS SHOWER DOOR DOOR SP5400 Series



Colors/Finishes

- Refer to the Price Book for current frame finish and glass options

Specified Model

Model	A (Max Width)*	B (Height)*	C (Walk Through Max)*
SP5465-45**	45-3/8" (115.3 cm)	65-1/4" (165.7 cm)	20-1/4" (51.4 cm)
SP5475-57**	57" (144.8 cm)	70-1/16" (178 cm)	26-1/8" (66.4 cm)

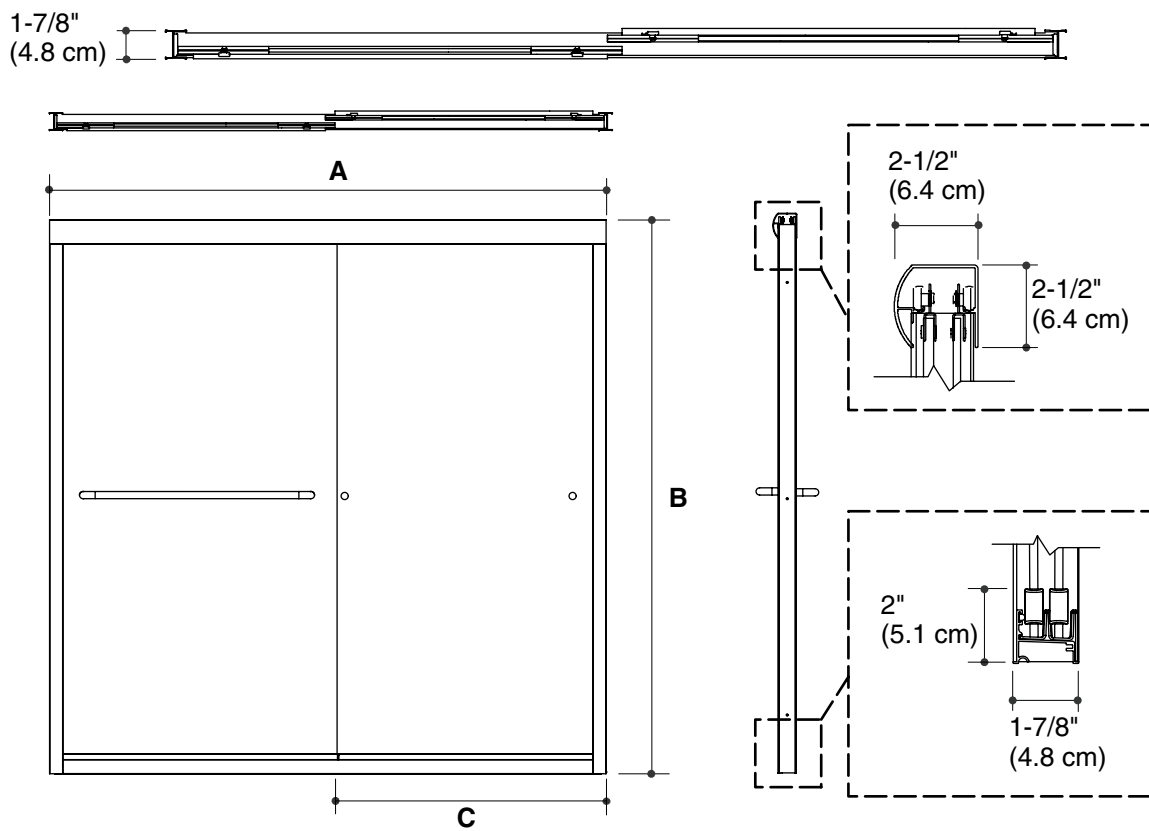
* Note: Consult the diagram on the next page for the location of the measurements.

** Note: Add appropriate frame color/finish code to the end of the unit model # when ordering.

Recommended Accessories

62030100**	Advantage™ 48" Shower Surround (SP5465-45*)
62040100**	Advantage™ 60" Shower Surround (SP5475-57*)

** Note: Refer to the Price Book for shower options and additional color information.



Product Diagram