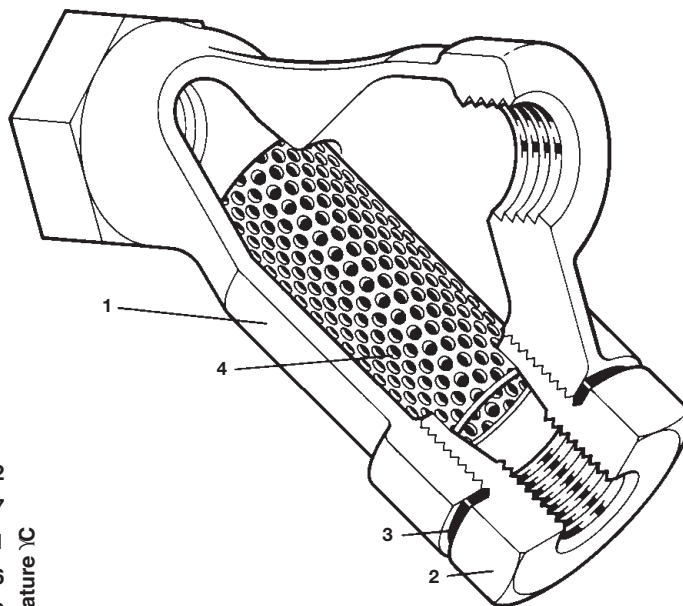


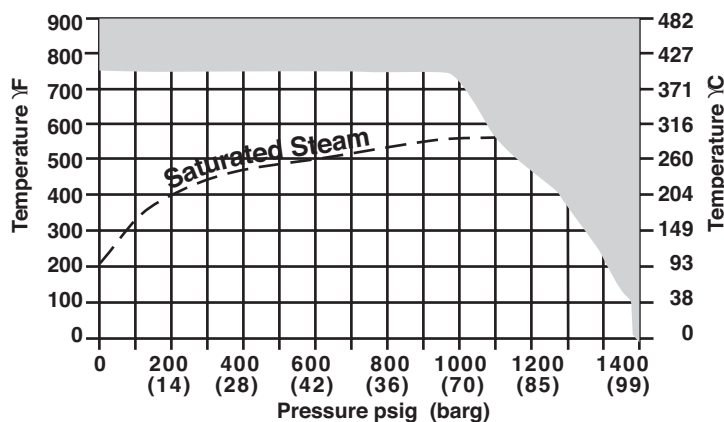
# spirax sarco

## Carbon Steel Strainers CT

Type	CT
Sizes	1/2" to 2"
Connections	NPT
Construction	Carbon Steel
Max Saturated Steam Pressure	984 psig
Standard Screen	20 Mesh
Options	60/100 Mesh Screens SW Connections Steel Plug



### Limiting Operating Conditions (non-shock)



### Pressure Shell Design Conditions

Max. allowable pressure 1480 psig/-20-150°F 102 barg/-29-66°C

Max. allowable temperature 750°F/0-1010 psig 399°C/0-67 barg

Designed for a maximum cold hydraulic test pressure of 2,225 psig (153.4 barg)

Rated to ANSI 600 up to a Maximum Allowable Temperature of 750°F

Complies with ASME B31.3 - Chemical Plant and Refinery Piping.

### Construction Materials

No.	Part	Material
1	Body	Carbon Steel ASTM A216 GR WCB
2	Cap	Carbon Steel ASTM A108
3	Cap Gasket	Stainless Steel, Jacketed Graphite Type 304
4	Standard Screen	Stainless Steel, Type 304

### Cv Values & Free Area (standard Screen)

Size	Cv	Free Area (sq. in.)
1/2"	6.5	2.20
3/4"	11.5	4.0
1"	20	5.2
1-1/4"	28	6.8
1-1/2"	38	9.45
2"	70	12.56

Consult factory for free areas of optional screens.

For water:

$$\text{Pressure Drop} = \frac{(\text{GPM})^2}{(\text{Cv})^2}$$

Consult factory for other liquids.

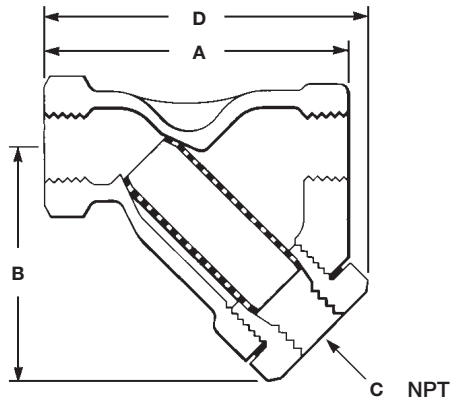
See TI-7-429-US for pressure drops on steam, air and other gases.

Local regulation may restrict the use of this product below the conditions quoted. Limiting conditions refer to standard connections only.

In the interests of development and improvement of the product, we reserve the right to change the specification.

TI-7-418-US 3.17

# Carbon Steel Strainers CT



Dimensions (nominal) in inches and millimeters					
Size	A	B	C	D	Weight
1/2"	3.4 87	2.7 70	3/8"	3.75 95	1.5 lb .68 kg
3/4"	4.4 111	3.6 92	3/8"	4.8 122	3.2 lb 1.5 kg
1"	4.9 124	3.8 97	1/2"	5.25 133	3.9 lb 1.8 kg
1-1/4"	5.4 137	4.4 113	3/4"	5.9 151	5.8 lb 2.6 kg
1-1/2"	6.4 162	4.9 124	3/4"	6.8 173	8.5 lb 3.9 kg
2"	7.5 191	5.9 149	1"	8.1 205	14.0 lb 6.3 kg

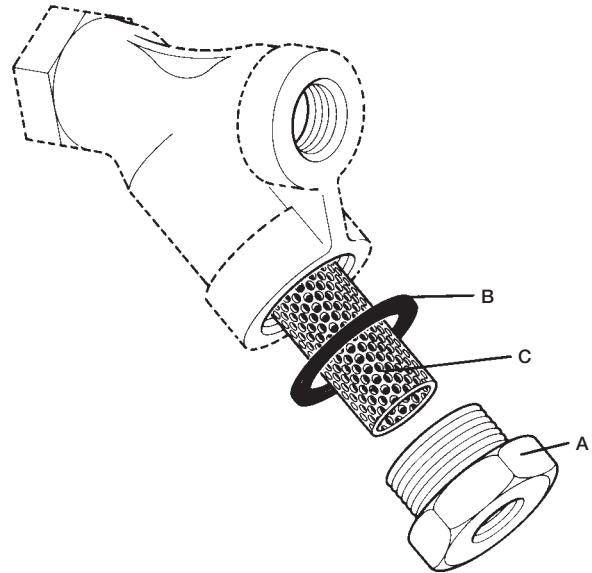
## Installation

The strainer should be installed with the flow direction as indicated on the body, in a vertical down or horizontal pipeline. The strainer must be accessible for periodic removal of accumulated debris, by either blowing down or removal and cleaning of the screen.

## Specification

Spirax Sarco CT Y-Pattern Strainers: Maximum working steam pressure 984 psig; carbon steel body, type 304 stainless-steel screen with 20 mesh stainless steel screen. NPT connections for 1/2" through 2".

## Spare Parts



Screen	C
(state material, perforations or mesh & size of strainer)	
Cap Gasket	B
Blowoff Bushing	A