

### Features:

#### GTB20562

Combination	GTB20562
□ Bowl	GVP21562
□ Tank	GWS28590

- Vitreous china
- Toilet-In-A-Box configuration
- 3" flush valve with Fluidmaster® 400A pilot valve for quiet fill
- 12" rough-in
- Elongated bowl
- Dual-fed siphon jets action bowl (no splashing)
- 2" Fully Glazed trapway for effective waste removal
- Color matched metal tank lever
- 6 point tank to bowl connection for tank stability
- Sanitary bead for easy cleaning
- Color matched Bolt caps included
- Soft-Closed Toilet seat included
- Wax Ring included
- Floor bolts included



### Technical Information:

Configuration	Two-piece, Elongated Toilet
Water per Flush	1.28 gpf (4.8 lpf)
Rough-In	12"
Height	29 1/8"
Width	17 1/2"
Depth	29"
Trapway	2"
Large Water Surface	8 11/16" x 6 5/16"
Shipping Weight	89.3 lbs

### Accessories: (included)

- Soft-Closed Toilet seat included GC55012743

### Other Tank Options: (bowl to be purchased separately)

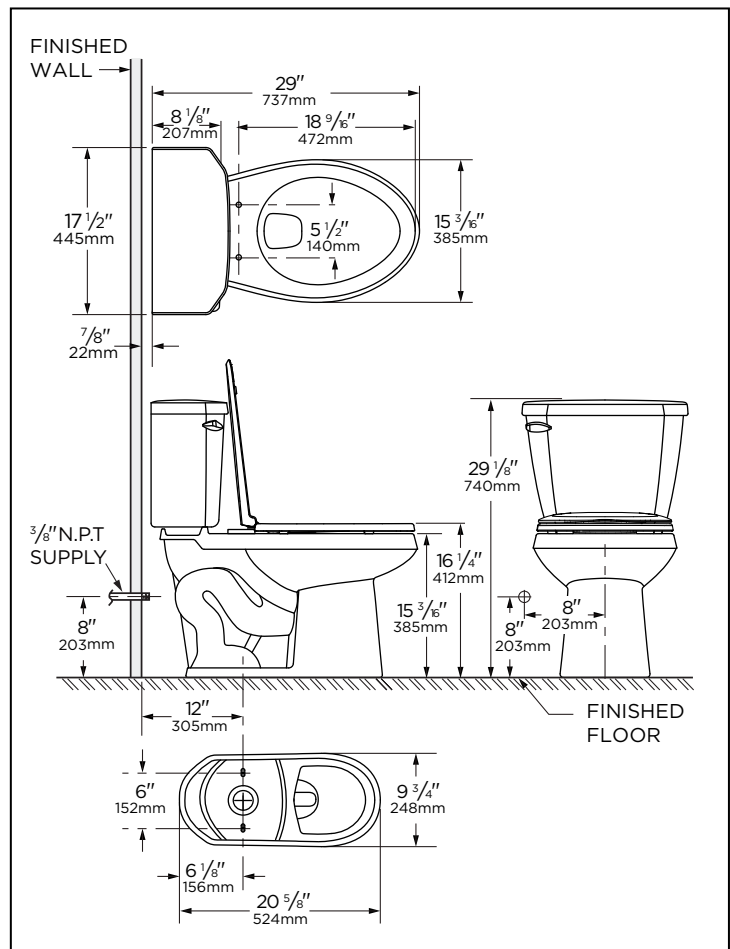
N/A

### Available Colors:

- White
- Other: Refer to Price Book for additional colors

### Warranty:

- Limited Lifetime on Vitreous China, refer to the website for more details.



NOTES: All dimensions are in inches and millimeters. Illustrations may not be drawn to scale.

#### IMPORTANT:

Dimensions of fixtures are nominal and may vary within the range of tolerances established by ASME standard A 112.19.2 THIS FIXTURE QUALIFIES ACCORDING TO ASME TEST PROCEDURES AS A HIGH EFFICIENCY WATER CLOSET WITH AN AVERAGE CONSUMPTION OF 1.28 gpf (4.8 Lpf) OR LESS.