



Strive®
32" undermount double-bowl kitchen sink with
accessories
K-5281

Features

- 36" minimum base cabinet width
- Double-equal bowls
- 9" (229 mm) depth provides generous workspace
- Rear drain increases workspace in the sink and allows for more storage space underneath the sink
- Includes divider dishcloth bar, divider utility shelf, and bottom sink rack
- Includes installation hardware
- Rounded 10mm corners are easy to clean

Material

- Handcrafted from 16-gauge stainless steel
- Premium 16-gauge stainless steel

Installation

- Undermount

Recommended Products/Accessories

- K-6641 Stainless steel sink rack
- K-8801 Sink drain and strainer with tailpiece
- K-8799 Sink drain and strainer basket
- K-23726 Drain treatment
- K-23729 Stainless steel cleaner

Optional Products/Accessories

- K-6429 Utility Rack
- K-6667 Wood Cutting Board
- K-11352 Disposal Flange with Stopper

Included Components

Additional Components:

- Bottom bowl rack
- Cut-out template
- Divider dish cloth bar
- Divider utility shelf
- Hardware kit(s) (Qty 3)

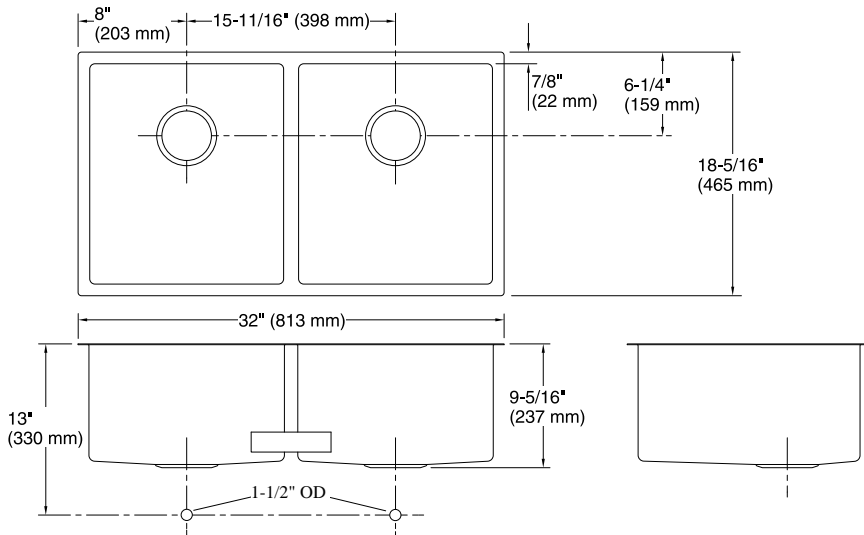


Codes/Standards

ASME A112.19.3/CSA B45.4

KOHLER® Stainless Steel Sinks Lifetime Limited Warranty

See website for detailed warranty information.



Technical Information

All product dimensions are nominal.

Bowl configuration: Double equal

Installation: Undermount

Min. base cabinet width: 36" (914 mm)

Bowl area: Length: 14-9/16" (370 mm)
 Width: 16-9/16" (421 mm)
 Bowl depth: 9" (229 mm)
 Water depth: 9" (229 mm)

Drain hole: 3-3/4" (95 mm)

Template: 1207216-7, required, included

Notes

Install this product according to the installation instructions.