



TS SERIES THERMOMAGNETIC 1720 SERIES SAFETY VALVES



The Robertshaw® TS Series thermomagnetic safety valve is a control used to cut off the flow of gas to the burner in the event of a pilot outage. The magnet assembly is energized by voltage generated by a thermocouple that is heated by the pilot flame. When this flame is extinguished, the thermocouple voltage decreases until a spring overcomes the magnetic force and closes off both the pilot and main gas. This control can be used for commercial and residential ovens, infrared heaters, chicken and pig brooders, recreational vehicle gas appliances and many more applications requiring automatic safety valves.

Specifications

Main Size		Capacities BTU/HR @ 1" WC PD	
Inlet	Outlet	Natural Gas	LP Gas
1/4" Pipe	1/4" Pipe	97,000	157,000
1/2" Pipe	1/2" Pipe	210,000	340,355
7/16" Tubing	7/16" Tubing	99,000	160,599
3/8" Pipe	7/16" Tubing	99,000	160,599
3/8" Pipe	3/8" Pipe	135,000	218,999

Pilot Connections

Model	Inlet	Outlet
J	1/8" Pipe	1/8" Pipe
J	1/4" Tubing	1/4" Tubing
J	3/16" Tubing	3/16" Tubing
K	NA	1/8" Pipe
K	NA	1/4" Tubing
K	NA	3/16" Tubing

Features and Benefits

- 300°F (149°C) ambient temperature rated and 350°F (177°C) versions available
- TS11J - available with separate pilot inlet/outlet tube connections
- TS11K - gas flows from main inlet
- Compatible with other Robertshaw models such as the BJ, FD, and GS series thermostats
- RoHS compliant
- Agency Certifications
 - CSA Certification number 164327-1910372

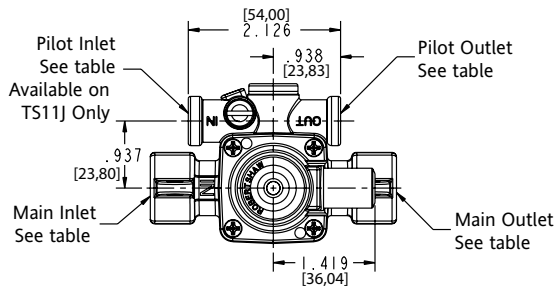


An ISO 9001 – 2008 Certified Company

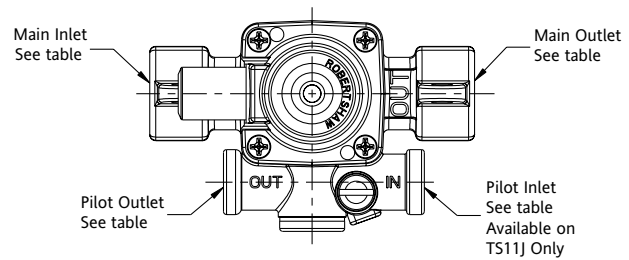
PRODUCT DIMENSIONS

Dimensions are inches and [millimeters].

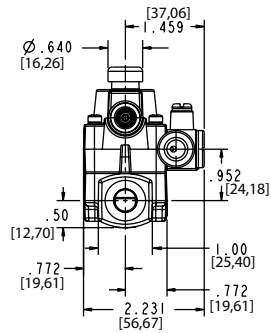
TS11J Top



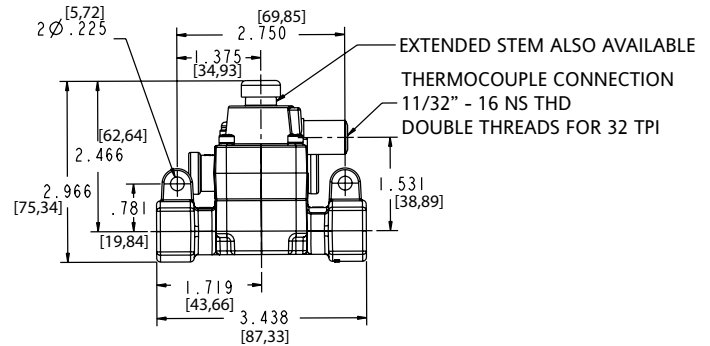
TS11J Top (rotated 180°)



TS11J Side



TS11J Front



TS11K Top with no Pilot Inlet

