

GASKETED CLOSET FLANGE

887 series

Push Tite™

SPECIFICATION

Installed closet flanges shall be Sioux Chief 887 Series Push Tite closet flange. Flange ring shall be full-swivel stainless steel, with sufficient holes for securing to floor and slots for inserting closet bolts. Flange outlet shall provide full/spherical flow for clog resistance. Engineered elastomer flange gasket shall seal inside 4" nominal Sch. 40 piping.

MATERIALS

flange body: white or black ABS
swivel ring: 430 stainless steel
gasket: engineered elastomer, chemical/heat resistant

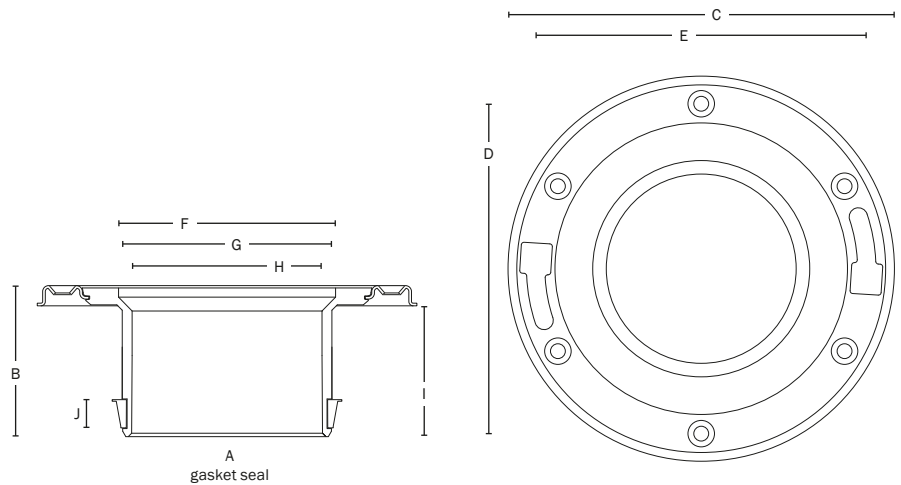
DIMENSIONS

A: Gasket seal	inside 4" Sch. 40 DWV
B: Overall Height	2 7/8"
C: Flange Ring Diameter	7 1/16"
D: Screw Centers	6 1/8"
E: Closet Bolt Centers	6 1/8"
F: Top Flange Opening	4"
G: Flange Outlet I.D.	3" Sch. 40 Hub
H: Flange Outlet O.D.	3 7/8"
I: Flange Tailpiece Height	2 7/16"
J: Gasket Height	9/16"

Item # Submitted	_____
Job Name	_____
Location	_____
Engineer	_____
Contractor	_____
PO#	_____ TAG _____



887-GPM



Create Item Number

887-A

e.g. 887-GPM = White Push Tite flange for PVC - inside 4" Sch. 40 DWV

- A** CONFIGURATION
- GPM White flange for PVC
- GAM Black flange for ABS