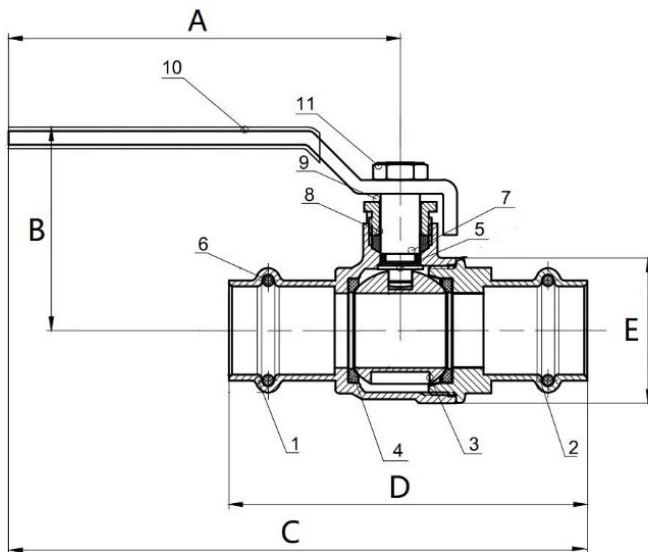


Features:

- *Lead Free
- Full Port
- CSA & cUPC Approved
- Press Ends Conforms to ASME B16.51
- Size: 1/2" - 2"
- 600 WOG
- Maximum Temperature: 200 °F
- Blow-out Proof Stem
- Rust Resistant Handle With Vinyl Grip



Dimensions & Materials List:



No.	Part	QTY	Material
1	Body	1	Lead Free Brass
2	Bonnet	1	Lead Free Brass
3	Ball	1	Stainless Steel
4	Seat	2	PTFE
5	Stem	1	Brass
6	O-Ring	2	EPDM
7	O-Ring	1	EPDM
8	Stem Packing	1	PTFE
9	Gland	1	Brass
10	Handle	1	Zinc Plated Steel
11	Lock Nut	1	Stainless Steel

All dimensions in inches

Part#	Description	Dimensions				
		A	B	C	D	E
4PRO12LFPRESSBV	1/2" LF Press Ball Valve	3.150	2.047	4.803	3.051	1.220
4PRO34LFPRESSBV	3/4" LF Press Ball Valve	3.937	2.303	5.817	3.602	1.457
4PRO1LFPRESSBV	1" LF Press Ball Valve	3.937	2.472	6.083	3.937	1.850
4PRO114LFPRESSBV	1-1/4" LF Press Ball Valve	5.551	3.425	7.772	4.114	2.047
4PRO112LFPRESSBV	1-1/2" LF Press Ball Valve	5.551	3.654	8.220	5.185	2.598
4PRO2LFPRESSBV	2" LF Press Ball Valve	6.496	4.055	9.626	6.031	3.150

*Lead Free: weighted average lead content $\leq 0.25\%$