

ON-GRADE ADJUSTABLE FLOOR DRAIN

842 SERIES

SPECIFICATION

Sioux Chief 842 series adjustable floor drain shall be used where necessary in drainage systems. Floor drain shall have a Sch. 40 hub connection, which conforms to ASTM D2665 (PVC) or D2661 (ABS). Connection to drainage system shall be made with a solvent weld joint to ABS/PVC pipe. Strainer of floor drain shall fasten into female threaded brass inserts. Strainer shall be heel-proof and meet applicable load requirements for intended use. Trap primer port shall be threaded 1/2" FIP for knockout connection. Designed in accordance with ASME A112.6.3-2001.

MATERIALS

Ring/strainer: nickel-bronze, 301 stainless steel

Head adapter: ABS with brass thread inserts

Base adapter: ABS or PVC

STRAINER LOAD RATING

1,000 lbs. (light duty, pedestrian traffic)

STRAINER FREE AREA

2" drain: 7.5 in²

3" drain (standard top): 7.5 in²

3" drain (large top): 11.75 in²

4" drain: 11.75 in²

DIMENSIONS

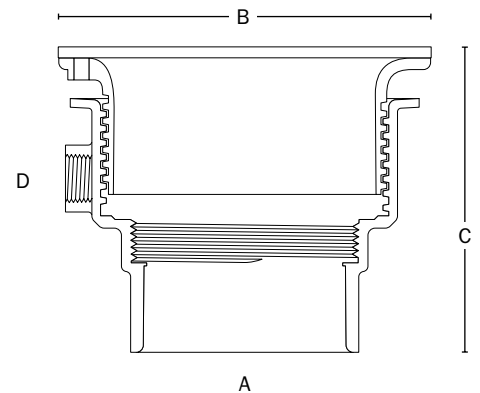
A: Connection size	2" x 3", 3" x 4", or 4" Sch. 40 hub*
B: Top diameter	
2" drain:	5 1/2"
3" drain (standard top):	5 1/2"
3" drain (large top):	6 1/2"
4" drain:	6 1/2"
C: Overall height	
2" drain:	4 3/8" – 5 1/8"
3" drain (standard top):	4 3/8" – 5 1/8"
3" drain (large top):	5 1/8" – 6 1/4"
4" drain:	5 3/8" – 6 1/2"
D: Trap primer port	1/2" FIP thread for knockout connection

*Adapters fit over 2" and inside 3" or over 3" and inside 4" pipe

ITEM # SUBMITTED	_____
JOB NAME	_____
LOCATION	_____
ENGINEER	_____
CONTRACTOR	_____
PO#	_____ TAG _____



842-3PSR



Create Item Number

842-ABCD

e.g. **842-3PNR:** 3" PVC drain with round nickel-bronze ring & strainer

CONNECTION A

- 2 = 2" Sch. 40 hub
- 3 = 3" Sch. 40 hub (standard top)
- 36 = 3" Sch. 40 hub (large top)
- 4 = 4" Sch. 40 hub

ADAPTER B

- A = ABS adapter
- P = PVC adapter

RING & STRAINER C

- NR = Round nickel-bronze
- SR = Round stainless steel

Available Separately:

- 863-FA 4" aluminum funnel
- 863-FN 4" nickel-bronze funnel
- 863-FNO Oval nickel-bronze funnel
- 842-UM Stainless steel debris basket¹

OPTIONS D

- V = Vandal-resistant strainer screws
- H = Hinged strainer¹
- E = Extended ring²
- B = Complies with Buy American Act²
- Y = Ductile iron top housing
- M = Medium-duty strainer (3,000 lbs safe-load)³

¹Available only on -36 and -4 models

²Available only on nickel-bronze ring & strainer

³Available only on -36 and -4 models with SS ring & strainer