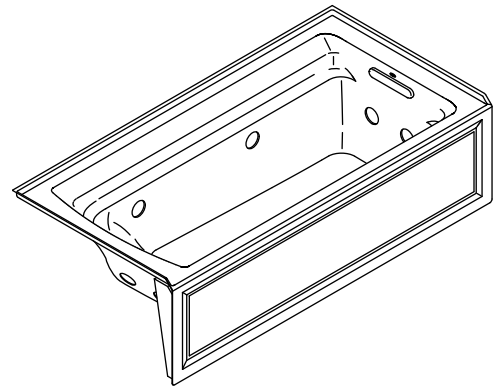


### Features

- Acrylic
- 8 color-matched Kohler hydro-massage jets
- Integral apron with removable access panel
- Pump with air switch and grounding-type plug-in cord
- Integral tile flange
- Left or right drain
- Slotted overflow for maximum bathing depth
- Low threshold height
- Integral lumbar support
- Armrests
- 72" (1829 mm) x 36" (914 mm) x 19" (483 mm)

### 6' BATH WHIRLPOOL WITH INTEGRAL APRON K-1124-LA ALSO K-1124-RA

ADA



### Codes/Standards Applicable

Specified model meets or exceeds the following:

- ADA
- ICC/ANSI A117.1
- CSA B45.5/IAPMO Z124
- ASME A112.19.7
- ASTM E162
- ASTM E662
- UL 1795

### Colors/Finishes

- 0: White
- Other: Refer to Price Book for additional colors/finishes

### Accessories

- 0: White
- CP: Polished Chrome
- Other: Refer to Price Book for additional colors/finishes

### Specified Model

Model	Description	Colors/Finishes	
K-1124-LA	Bath whirlpool with integral apron, left drain	<input type="checkbox"/> 0	<input type="checkbox"/> Other_____
K-1124-RA	Bath whirlpool with integral apron, right drain	<input type="checkbox"/> 0	<input type="checkbox"/> Other_____
<b>Required Accessories</b>			
K-7271	Clearflo slotted overflow brass bath drain <b>OR</b>	<input type="checkbox"/> CP	<input type="checkbox"/> Other_____
K-7272	Clearflo slotted overflow bath drain – PVC pipe	<input type="checkbox"/> CP	<input type="checkbox"/> Other_____
<b>Optional Accessories</b>			
K-9529	Removable bath seat	<input type="checkbox"/> 0	

### Product Specification

The acrylic bath whirlpool shall be 72" (1829 mm) in length, 36" (914 mm) in width, and 19" (483 mm) in height. Product shall feature 8 color-matched jets and armrests. Product shall feature a pump with air switch and grounding-type plug-in cord. Product shall feature an integral apron with removable access panel, and integral tile flange. Product shall be available with left or right drain. Product shall feature a slotted overflow for maximum bathing depth, low threshold height, and integral lumbar support. Bath whirlpool shall be Kohler Model K-1124-\_\_\_\_\_-\_\_\_\_\_.

# ARCHER™

## Technical Information

Fixture*:	
Bathing well	
Basin area, bottom	51-3/8" (1305 mm) x 21" (533 mm)
Basin area, top	64-1/2" (1638 mm) x 30-1/2" (775 mm)
Weight	135 lbs (61.2 kg)
To overflow	
Water depth	15" (381 mm)
Capacity	72 gal (273 L)
* Approximate measurements for comparison only.	

Pump:	V	Hz	A
1-speed	120	60	7
Pump is supplied with 24" (610 mm) grounding-type plug-in cord.			

## Required Electrical Service

Dedicated circuit required, protected with a Class A Ground-Fault Circuit-Interrupter (GFCI):	
Pump/control	120 V, 15 A, 60 Hz

Locate the outlet behind the whirlpool and within 24" (610 mm) of the pump.

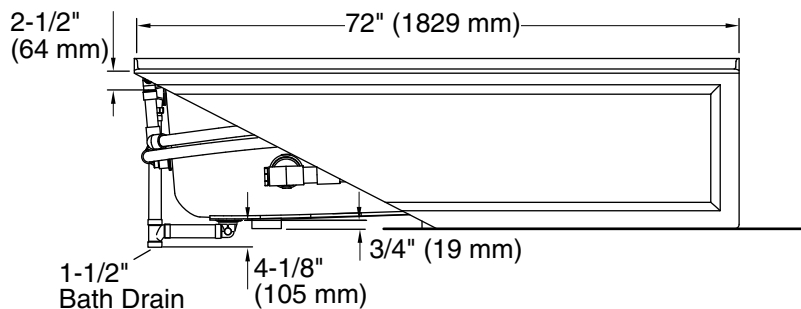
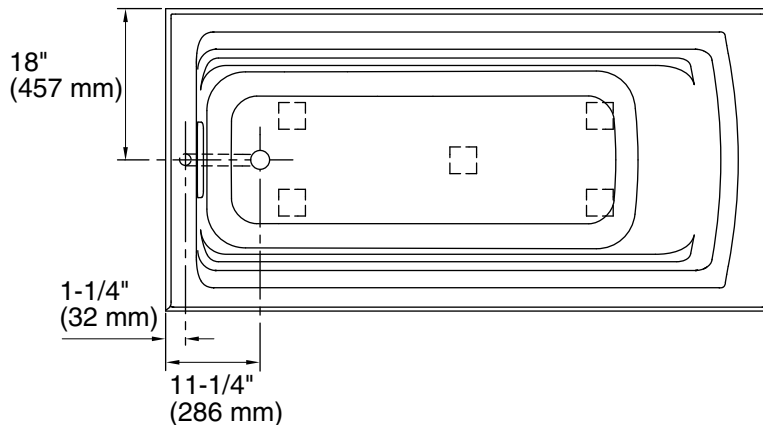
## Installation Notes

Install this product according to the installation guide.

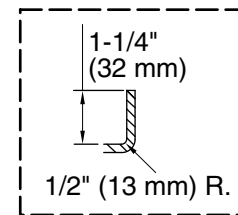
Floor support under this product must provide for a minimum of 43 lbs/square foot (210 kg/square meter) loading.

The hot water supply should be 70% of the capacity of the bath or greater. Installations will vary.

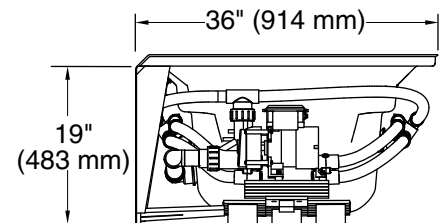
Will comply with **ADA** when installed per Section 607 Bathtubs of the Act.



No change in measurements if connected with drain illustrated. (K-7272)



**Integral Flange Detail**



## Product Diagram