

### SHOWER BASE K-9055

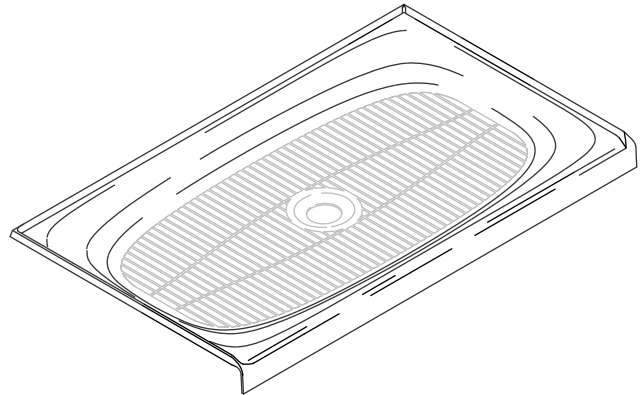
#### Features

- Cast iron with Safeguard® finish
- Center drain outlet
- Three tile-in flanges
- Alcove installation
- Complements traditional and contemporary bathroom designs
- 60" (1524 mm) x 36" (914 mm) x 3-15/16" (100 mm)

#### Codes/Standards Applicable

Specified model meets or exceeds the following:

- ASME A112.19.1/CSA B45.2



#### Colors/Finishes

- 0: White
- Other: Refer to Price Book for additional colors/finishes

#### Accessories

- CP: Polished Chrome
- PB: Vibrant® Polished Brass
- Other: Refer to Price Book for additional colors/finishes

#### Specified Model

Model	Description	Colors/Finishes		
K-9055	Shower base with center drain	<input type="checkbox"/> 0	<input type="checkbox"/> Other _____	
Recommended Accessories				
K-9132	Grid drain	<input type="checkbox"/> CP	<input type="checkbox"/> PB	<input type="checkbox"/> Other _____

#### Product Specification

The cast iron shower base shall be 60" (1524 mm) in length, 36" (914 mm) in width, and 3-15/16" (100 mm) in height. Product shall feature a Safeguard finish, center drain outlet, and three tile-in flanges. Product shall be for alcove installations. Product shall complement traditional and contemporary bathroom designs. Product shall be Kohler Model K-\_\_\_\_\_-\_\_\_\_\_.

# SALIENT™

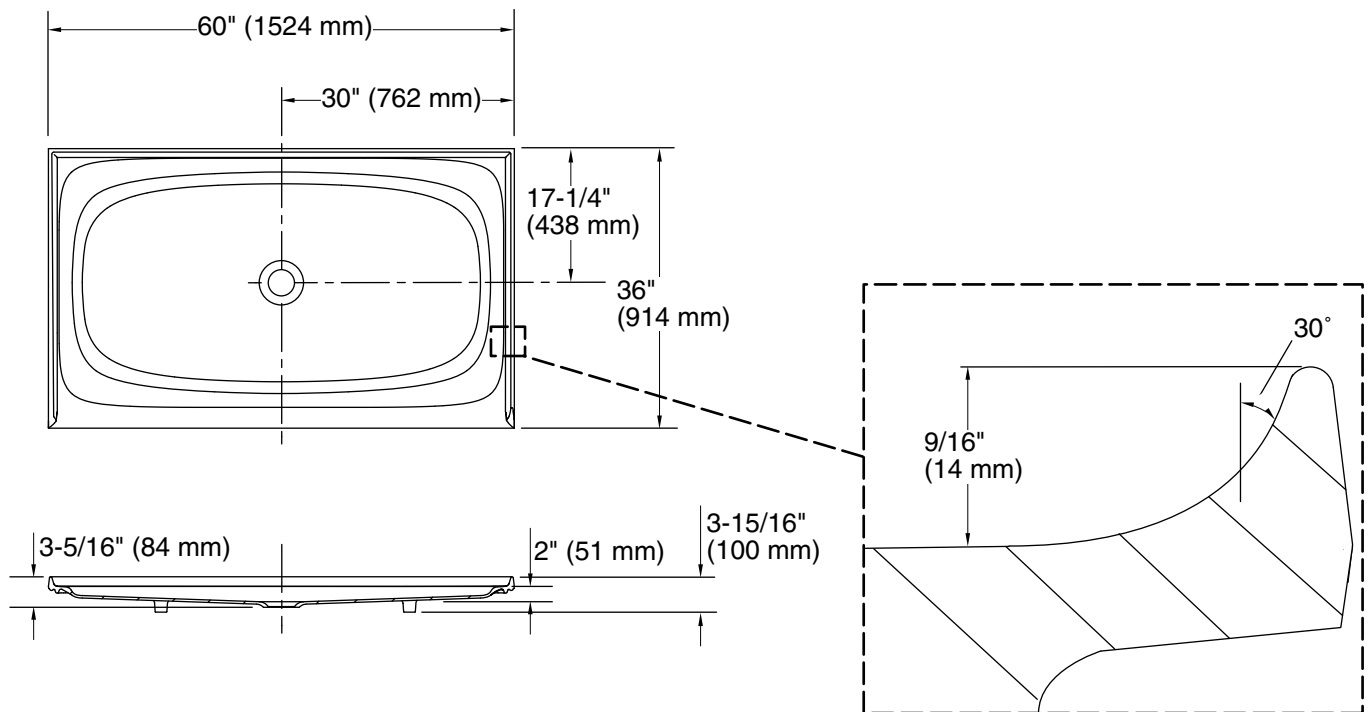
## Technical Information

Fixture*:	
Configuration	one-piece
Weight	220 lbs (99.8 kg)
Drain hole	Ø 3-3/8" (86 mm)
* Approximate measurements for comparison only.	

## Installation Notes

Install this product according to the installation guide.

The dimensions are applicable for this product only and should not be used to fabricate substitute bases for shower enclosures.



## Product Diagram