

## Features

- Globular glass shades extend from rods with flared metal detail in elegant transitional designs suited for any room
- Coordinates with other products in the Bellera collection
- Requires two bulbs with candelabra (E12) base; T10 bulb recommended (sold separately)
- Suitable for damp locations, per UL 1598
- Includes installation hardware

## Material

- Premium metal and glass construction
- Manufactured with quality materials and complemented with a meticulous finishing process
- Durable finishes engineered to last and designed to coordinate with KOHLER faucet finishes

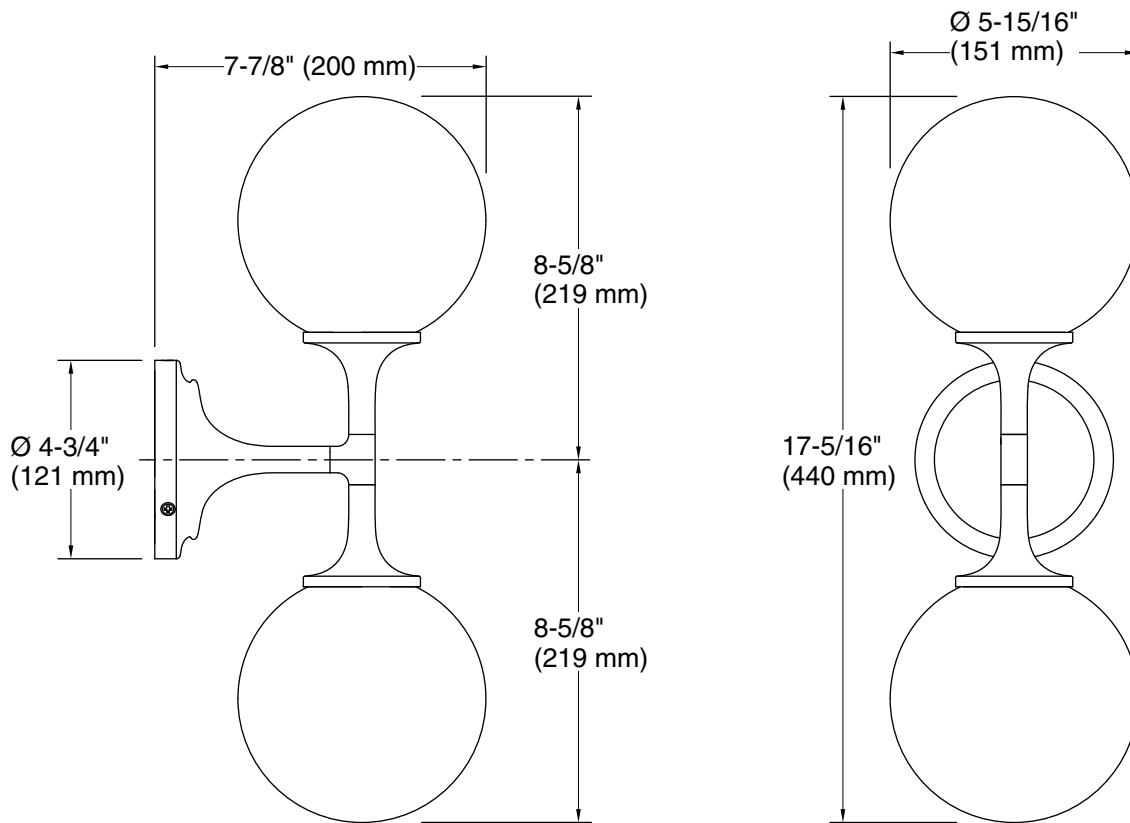


## Codes/Standards

UL 1598  
CSA C22.2 No. 250.0

## KOHLER® Indoor Lighting Fixtures Limited Warranty

See website for detailed warranty information.



## Required Electrical Service

One circuit required.

120 V, 1 A, 60 Hz

## Technical Information

All product dimensions are nominal.

Material: Steel, Aluminum, Zinc, Glass

Number of Lights: 2

Lighting Type: Socket-based

Socket Type: E-12 Candelabra

Number of Shades: 2

Shade Type: Glass - clear

Hanging Type: Non-hanging