

# Technical Specification

# 2-102-5

# Low-Profile Curved Shower Rod

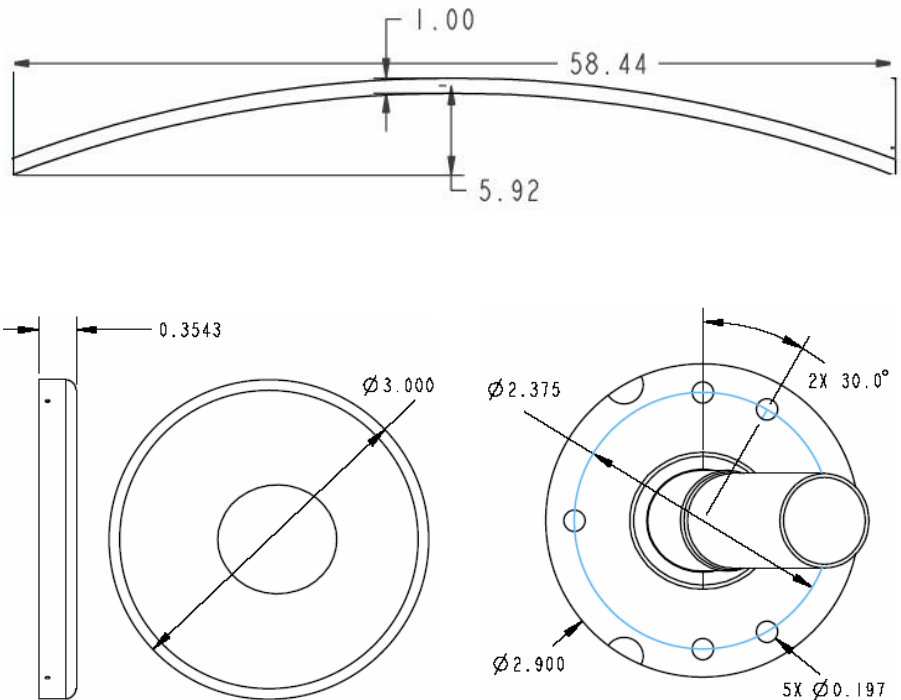
# & 65-F

## Stock Numbers:

- q **2-102-5PS – 5' Curved Shower Rod Only**  
Polished Stainless Steel Finish  
1" Diameter Rod
- q **2-102-5BS – 5' Curved Shower Rod Only**  
Brushed Stainless Steel Finish  
1" Diameter Rod
- q **65-F-PS – Low-Profile Curved Shower Rod Flange Kit**  
Polished Stainless Steel Finish  
Concealed Screw Mounting  
Two Assemblies per Set  
Mounting Hardware included for installation into wood, drywall or tile
- q **65-F-BS – Low-Profile Curved Shower Rod Flange Kit**  
Brushed Stainless Steel Finish  
Concealed Screw Mounting  
Two Assemblies per Set  
Mounting Hardware included for installation into wood, drywall or tile

**Note:** To order a complete curved shower rod unit, select both a rod and a flange kit.

## Dimensions:



## Materials:

**Curved shower rod** is made of .028 (22 gauge) seamless type 304 stainless steel. **Flanges** are stamped from stainless steel.

## Installation Instructions:

The Donner curved shower rod should be mounted in the same position that you would mount a straight shower rod.

1. Mount the first wall plate using the appropriate supplied hardware (post should be facing outside the shower).
2. With the fronts of the 2 covers facing together, slide the covers onto the rod.
3. With curve facing downward, slide rod onto the mounted wall plate.
4. Slide 2<sup>nd</sup> wall plate onto the open end of the rod and rotate entire unit upward so that the curve is facing outside of the shower.
5. Mount second wall plate and snap covers into place on each end of the rod.

Refer to the instruction sheet in each package for complete installation instructions and illustrations.

**Note:** Wood blocking is preferable behind all wall surfaces. If wood blocking is not available, use the appropriate anchor supplied in the hardware kit.

**Stock Number:** \_\_\_\_\_ **Curved Shower Rod**  
By Creative Specialties



25300 AL MOEN DRIVE • NORTH OLMSTED, OH 44070  
CORPORATE HEADQUARTERS: (800) 321-8809 • FAX: (800) 848-6636  
INTERNATIONAL: (440) 962-2000 • FAX: (440) 962-2726  
CUSTOMER SERVICE (USA): 800-882-0116 • FAX: (888) 379-2720  
WWW.CSI.MOEN.COM

©Copyright Creative Specialties International 2006

Literature # BA1388