

Features

- Wall-mount.
- Rectangular basin.
- With overflow.
- 4-inch centers.
- Designed for commercial use.
- 19" (483 mm) x 17" (432 mm)

Material

- KOHLER® enameled cast iron.

Recommended Accessories

K-8998 P-Trap

Components

Additional included component/s: Hanger.



ADA

Codes/Standards

ASME A112.19.1/CSA B45.2

ADA

ICC/ANSI A117.1

Lifetime Limited Warranty for KOHLER® Cast Iron Components

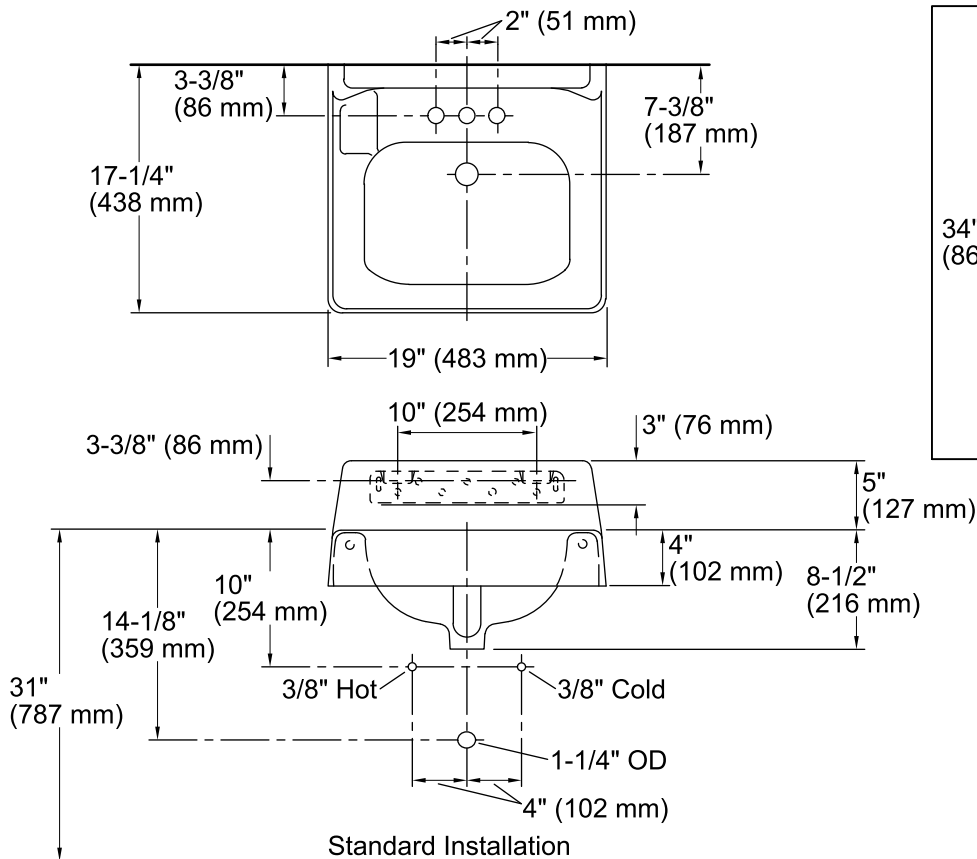
See website for detailed warranty information.

Available Color/Finishes

Color tiles intended for reference only.

Color	Code	Description
-------	------	-------------

	0	White
--	---	-------



Technical Information

All product dimensions are nominal.

Bowl configuration:	Single
Installation:	Wall-mount
Bowl area (Only):	Length: 15" (381 mm) Width: 10" (254 mm) Water depth: 5" (127 mm)
Number of deck holes:	3
Faucet hole(s):	1-1/4" (32 mm)
Drain hole:	1-3/4" (44 mm)

Notes

Install this product according to the installation instructions.

ADA compliant when installed to the specific requirements of these regulations.