

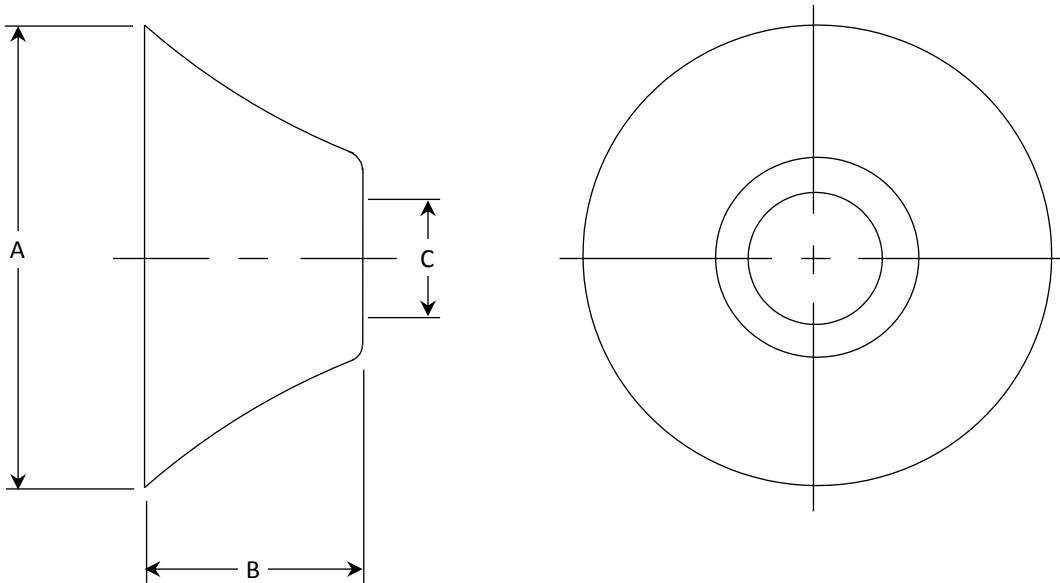
For Residential and Commercial Applications

Job Name		Engineer / Architect	
Job Location		Wholesaler	
Submittal Date		Contractor	

650 / 651 / 652 / 654 / 657 Chrome-Plated Bell Flange

Design Features:

- **Attractively conceals** holes in the floor or wall after rough-ins
- **Easy to install**
- **Internal tabs secure flange** to various tubing: copper, steel, CPVC, and PEX



CONNECTOR MATERIAL SPECIFICATIONS	
Flange	<i>Steel, chrome-plated</i>

PART DIMENSIONS (Inches)			
Model	DIA. A	DIM. B	DIA. C
650 C	2.40	1.12	.69
651 C	2.40	1.12	.84
652 C	2.40	1.12	.38
654 C	2.40	1.12	.63
657 C	2.40	1.12	.56

Part Listing:

- 650 C Bell flange fits over 3/8" iron pipe (.69 ID), chrome-plated
- 651 C Bell flange fits over 1/2" iron pipe (.84 ID), chrome-plated
- 652 C Bell flange fits over 3/8" OD tube (1/4" nom), chrome-plated
- 654 C Bell flange fits over 5/8" OD tube (1/2" nom), chrome-plated
- 657 C Bell flange fits over 9/16" OD tube (.56 ID), chrome-plated

This specification and all information contained herein is the confidential and exclusive property of BrassCraft Manufacturing, and shall not be disclosed to others without the written consent of BrassCraft Mfg. This specification must be returned to BrassCraft Mfg if requested.

