



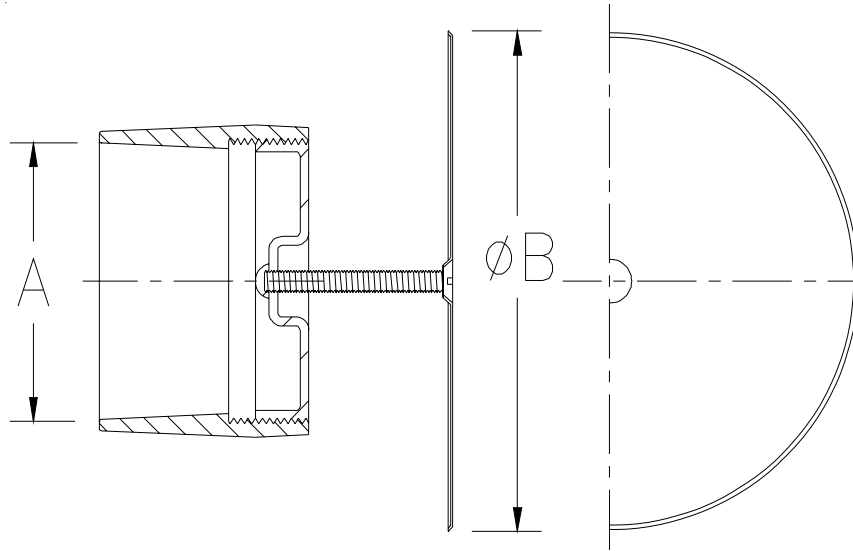
# Z1441

SPECIFICATION SHEET

## WALL CLEANOUT W/ SMOOTH ACCESS COVER

TAG \_\_\_\_\_

Dimensional Data (inches and [ mm ]) are Subject to Manufacturing Tolerances and Change Without Notice



Dimensions In Inches		Approx. Wt. Lbs. [kg]
A-Pipe Size	B	
2 [51]	5 [127]	4 [2]
3 [76]	5 [127]	5 [2]
4 [102]	7 [178]	7 [3]
5 [127]	7 [178]	8 [4]
6 [152]	9 [229]	9 [4]
8 [203]	11 [279]	12 [5]

### ENGINEERING SPECIFICATION: ZURNZ1441

Wall Cleanout, Dura-Coated cast iron body, gas and watertight ABS tapered thread plug, and round, smooth stainless steel access cover with securing screw.

### OPTIONS (Check/specify appropriate options)

#### PIPE SIZE

2 thru 6-8 [51 thru 152-203]

(Specify size) **OUTLET**

\_\_\_\_\_ NH No-Hub

#### PREFIXES

- \_\_\_\_\_ Z Dura-Coated Cast Iron Body with Stainless Steel Cover\*  
 \_\_\_\_\_ ZB D.C.C.I. Body with Polished Bronze Cover

#### SUFFIXES

- \_\_\_\_\_ -A Raised Head Plug  
 \_\_\_\_\_ -BP Bronze Plug  
 \_\_\_\_\_ -G Galvanized Cast Iron  
 \_\_\_\_\_ -SL Screw Longer Than 3-1/2 [89]  
 \_\_\_\_\_ -VP Vandal-Proof Secured Top

REV. D	DATE: 11/03/10	C.N. NO. 120232
DWG. NO. 58763	PRODUCT NO. Z1441	

\*REGULARLY FURNISHED UNLESS OTHERWISE SPECIFIED