

38 **EZ Oil Burners**

Note: Parts may not be exactly as shown in diagram.

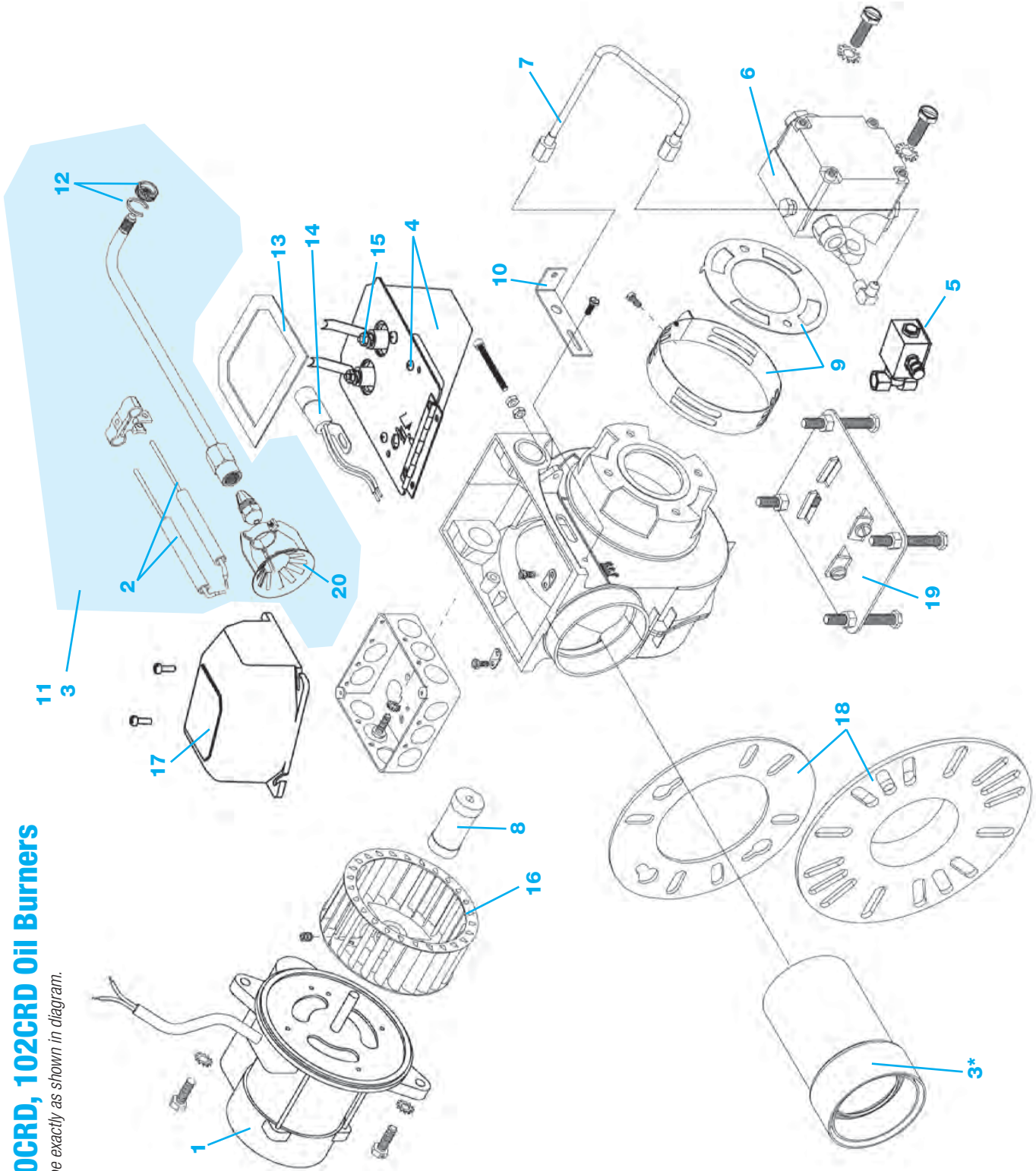
*3 includes selected air tube and combustion head assembly

ITEM	PART NO.	DESCRIPTION	EZ1	EZ2	EZ3
1	98022S	1/6HP PSC Motor, 48 M Frame	•	•	•
2	82750S	Electrode set (2), – 4"	•		
	82768S	Electrode set (2), – 5"	•	•	•
	82776S	Electrode set (2), – 7"	•	•	•
	82784S	Electrode set (2), – 9"	•	•	•
	82792S	Electrode set (2), – 11"	•	•	•
3	78071S	EZ1 5" Air Tube/Combustion Head Assy	•		
	78089S	EZ1 7" Air Tube/Combustion Head Assy	•		
	78105S	EZ1 9" Air Tube/Combustion Head Assy	•		
	78113S	EZ1 11" Air Tube/Combustion Head Assy	•		
	84764S	EZ2/3 5" Air Tube/Combustion Head Assy		•	•
	84772S	EZ2/3 7" Air Tube/Combustion Head Assy		•	•
	84780S	EZ2/3 9" Air Tube/Combustion Head Assy		•	•
84798S	EZ2/3 11" Air Tube/Combustion Head Assy		•	•	
4	41000S	110V Ignitor	•	•	•
	41000S0CAS	110V Ignitor on Baseplate	•	•	•
5	SVC10FFS	Oil Valve	•	•	•
	98289S	Oil Valve Kit with fittings	•	•	•
6	22996S	Fuel Unit A2VA-7116	•	•	•
	98750S	Fuel Unit A2VA-3006	•	•	•
7	34397S	Oil line kit (incl. all oil lines)	•	•	•
8	75564S	Fuel Unit Coupling	•	•	•
9	98055S	EZ1 Airband/Air Shutter Kit	•		
	98087S	EZ2 Airband/Air Shutter Kit		•	
	98096S	EZ3 Airband/Air Shutter Kit			•
10	98059AS	Augmentor, rivet & washer kit (obscured)	•	•	•

ITEM	PART NO.	DESCRIPTION	EZ1	EZ2	EZ3
11	81570S	Head bar kit (7 bars & screw)	•		
	84715S	Head bar kit (4 bars & screw)		•	
	86389S	Head bar kit (3 bars & screw)			•
12	77941S	Combustion Head Assy 4"	•		
	77958S	Combustion Head Assy 5"	•	•	•
	77966S	Combustion Head Assy 7"	•	•	•
	77974S	Combustion Head Assy 9"	•	•	•
	77982S	Combustion Head Assy 11"	•	•	•
13	66795S	Nozzle Line Heater Kit	•	•	•
14	50624S	C-Ring & Thumb nut kit	•	•	•
15	50821S	Gasket kit (10 gaskets)	•	•	•
16	14407SES	Cad Cell Kit	•	•	•
17	41DTK01S	Universal Ignitor Terminal Kit (not shown)	•	•	•
18	77933S	Blower wheel / fan	•	•	•
19	70200S	Universal Primary w/ Display 70200	•	•	•
	48245S	Model 48245 Primary w/ Smart Ignition	•	•	•
	4020002S	Model 40200 Primary 30/15/30	•	•	•
	5020002S	Model 50200 Primary 30/15/30	•	•	•
	6020002S	Model 60200 Primary 15/15/15	•	•	•
20	81372S	Mounting Flange & Gasket	•	•	•
21	23317S	Pedestal W/Hardware	•	•	•
22	77438S	Retention Ring Assy	•	•	•

40 **99FRD, 100CRD, 102CRD Oil Burners**

Note: Parts may not be exactly as shown in diagram.



*3 includes selected air tube and combustion head assembly

ITEM	PART NO.	DESCRIPTION	99FRD	100CRD	102CRD
10	5489001S	Nozzle Line adjusting slide	•		
11	51805S	Combustion Head Assy 5"	•	•	
	51854S	Combustion Head Assy 7"	•	•	
	51896S	Combustion Head Assy 9"	•	•	
	51599S	Combustion Head Assy 11"	•	•	
	52316S	Combustion Head Assy 5"			•
	52373S	Combustion Head Assy 7"			•
	52472S	Combustion Head Assy 9"			•
	52183S	Combustion Head Assy 11"			•
12	50624S	C-Ring & Thumb nut kit	•	•	•
13	50821S	Gasket kit (10 gaskets)	•	•	•
14	14407SES	Cad Cell Kit	•	•	•
15	41DTK01S	Universal Ignitor Terminal Kit (not shown)	•	•	•
16	28605S	Blower wheel / fan 99FRD	•		
	28530S	Blower wheel / fan 100CRD		•	
	28506S	Blower wheel / fan 102CRD			•
17	70200S	Universal Primary w/ Display 70200	•	•	•
	48245S	Model 48245 Primary w/ Smart Ignition	•	•	•
	4020002S	Model 40200 Primary 30/15/30	•	•	•
	5020002S	Model 50200 Primary 30/15/30	•	•	•
	6020002S	Model 60200 Primary 15/15/15	•	•	•
18	23150S	Mounting Flange & Gasket	•	•	•
19	23317S	Pedestal W/Hardware	•	•	•
20	54981S	Retention Ring Assy 99/100	•	•	
	55061S	Retention Ring Assy 102CRD			•

ITEM	PART NO.	DESCRIPTION	99FRD	100CRD	102CRD
1	98022S	1/6HP PSC Motor, 48 M Frame		•	•
2	82768S	Electrode set (2), - 5"	•	•	•
	82776S	Electrode set (2), - 7"	•	•	•
	82784S	Electrode set (2), - 9"	•	•	•
	82792S	Electrode set (2), - 11"	•	•	•
3	20180S	99FRD/100CRD 5" Air Tube/Combustion Head Assy	•	•	
	20230S	99FRD/100CRD 7" Air Tube/Combustion Head Assy	•	•	
	20313S	99FRD/100CRD 9" Air Tube/Combustion Head Assy	•	•	
	19919S	99FRD/100CRD 11" Air Tube/Combustion Head Assy	•	•	
	21790S	102CRD 5" B Air Tube/Combustion Head Assy			•
	21857S	102CRD 7" B Air Tube/Combustion Head Assy			•
	21881S	102CRD 9" B Air Tube/Combustion Head Assy			•
	21691S	102CRD 11" B Air Tube/Combustion Head Assy			•
	21980S	102CRD 5" C Air Tube/Combustion Head Assy			•
	21998S	102CRD 7" C Air Tube/Combustion Head Assy			•
22004S	102CRD 9" C Air Tube/Combustion Head Assy			•	
21915S	102CRD 11" C Air Tube/Combustion Head Assy			•	
4	41000S	110V Ignitor	•	•	•
	41000S0CAS	110V Ignitor on Baseplate	•	•	•
5	SVC10FFS	Oil Valve	•	•	•
	98289S	Oil Valve Kit with fittings	•	•	•
6	22996S	Fuel Unit A2VA-7116	•	•	
	98750S	Fuel Unit A2VA-3006	•	•	
	23234S	Fuel Unit A2VA-7916			•
7	34397S	Oil line kit (incl. all oil lines)	•	•	•
8	75564S	Fuel Unit Coupling	•	•	•
9	98100S	99FRD/100CRD/102CRD Air Band Shutter Single Kit	•	•	•
	98101S	99FRD/100CRD/102CRD Air Band Shutter Dual Kit	•	•	•

ITEM	PART NO.	DESCRIPTION	201CRD	301CRD	
10	54155S	7" Nominal, 16-3/4" OAL Combustion Head Assy	•		
	54205S	9" Nominal, 18-3/4" OAL Combustion Head Assy	•		
	53975S	11" Nominal, 20-3/4" OAL Combustion Head Assy	•		
	54031S	15" Nominal, 24-5/16" OAL Combustion Head Assy	•		
	55574S	6" Nominal 16-3/4" OAL Combustion Head Assy		•	
	55616S	8" Nominal 18-3/4" OAL Combustion Head Assy		•	
	55434S	10" Nominal 20-3/4" OAL Combustion Head Assy		•	
	55491S	14" Nominal 24-3/4" OAL Combustion Head Assy		•	
	11	28563S	Blower wheel/ fan	•	•
	12	23259S	4" Universal Flange & Gasket	•	•
23184S		4" Pressure Flange & Gasket	•	•	
13	23358S	Pedestal w/ hardware	•	•	
14	14407S0ES	Cad Cell Kit	•	•	
15	41DTK01S	Universal Ignitor Terminal kit	•	•	
16	55418S	Retention Ring Assy 201CRD	•		
	55715S	Retention Ring Assy 3010CRD		•	
17	70200S	Universal Primary W/ Display 70200	•	•	
	4020002S	Model 40200 Primary 30/15/30	•	•	
	5020002S	Model 50200 Primary 30/15/30	•	•	
	6020002S	Model 60200 Primary 15/15/15	•	•	
18	2301KITS	Hardware Kit (Yoke, CH elbow, OV Nip, CH Adj screw)	•	•	

ITEM	PART NO.	DESCRIPTION	201CRD	301CRD
1	98630S	1/4 hp, 120V, 60HZ, 48N Frame Motor	•	•
2	82776S	Electrode Set (2), 7/16" Nominal, Approx. 8-1/2" OAL	•	•
	82784S	Electrode Set (2), 9/8" Nominal, Approx. 10-3/4" OAL	•	•
	82792S	Electrode Set (2), 11/10" Nominal, Approx. 12-1/2" OAL	•	•
	82818S	Electrode Set (2), 15/14" Nominal, Approx. 16-1/2" OAL	•	•
	82826S	Electrode Set (2), 18/17" Nominal, Approx. 19-1/2" OAL	•	•
3	22046S	201CRD 7" Air Tube/Combustion Head Assy	•	
	22053S	201CRD 9" Air Tube/Combustion Head Assy	•	
	22012S	201CRD 11" Air Tube/Combustion Head Assy	•	
	22020S	201CRD 15" Air Tube/Combustion Head Assy	•	
	22293S	301CRD B-Style 6" Air Tube/Combustion Head Assy		•
	22327S	301CRD B-Style 8" Air Tube/Combustion Head Assy		•
	22202S	301CRD B-Style 10" Air Tube/Combustion Head Assy		•
	22236S	301CRD B-Style 14" Air Tube/Combustion Head Assy		•
	22442S	301CRD C-Style 6" Air Tube/Combustion Head Assy		•
	22475S	301CRD C-Style 8" Air Tube/Combustion Head Assy		•
22350S	301CRD C-Style 10" Air Tube/Combustion Head Assy		•	
22384S	301CRD C-Style 14" Air Tube/Combustion Head Assy		•	
4	41000S	110V Ignitor	•	•
	41000S0SC	110V Ignitor on Baseplate	•	•
5	SVC10FFS	Oil Valve	•	•
	98289S	Oil Valve Kit with fittings	•	•
6	23234S	Fuel Unit, 1 Stage, A2YA-7916	•	•
	74443S	Fuel Unit, 1 Stage, NYC, A2YA-7916 100PSI	•	•
	74443HPS	Fuel Unit, 1 Stage, NYC, A2YA-7916 150PSI	•	•
	23267S	Fuel Unit, 2 Stage, B2YA-8916	•	•
	74459S	Fuel Unit, 2 Stage, NYC, B2YA-8916 100PSI	•	•
7	74559HPAS	Fuel Unit, 2 Stage, NYC, B2YA-8916 140PSI	•	•
	74559HPS	Fuel Unit, 2 Stage, NYC, B2YA-8916 150PSI	•	•
7	34785S	Oil line kit (incl. all oil lines)	•	•
8	28720S	Fuel Unit Coupling	•	•
9	47001S	201/301CRD 4-slot Air Band	•	•