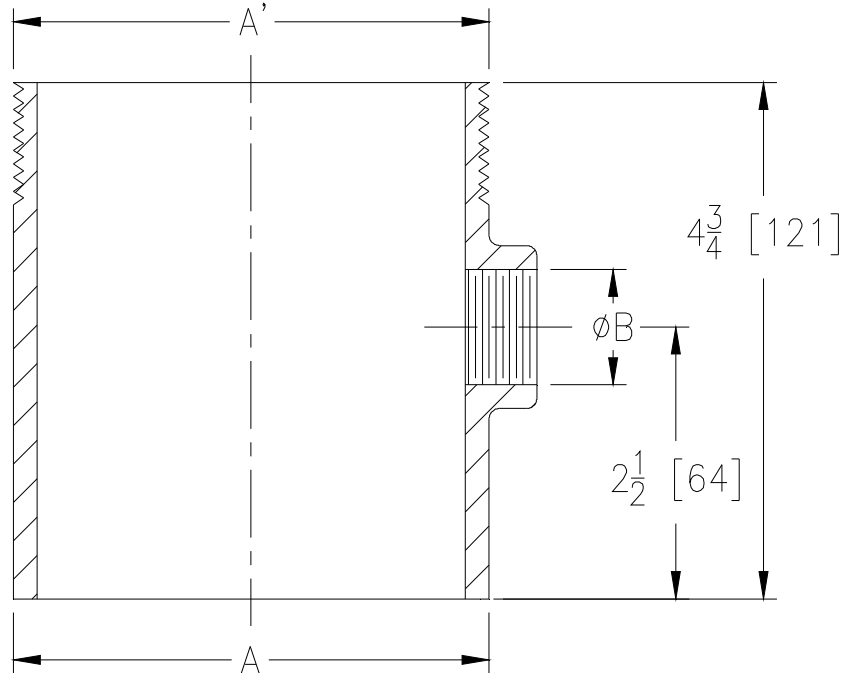


Dimensional Data (inches and [mm]) are Subject to Manufacturing Tolerances and Change Without Notice



Dimensions In Inches		Approx. Wt. Lbs. [kg]
Pipe Size		
A' x A NH x NH or NPT x NH In. [mm]	B In. [mm]	
2 x 2 [51 x 51]	1/2[13]	2 [1]
3 x 3 [76 x 76]	1/2[13]	4 [2]
4 x 4 [102 x 102]	1/2[13]	6 [3]

ENGINEERING SPECIFICATION: ZURN Z1023

Trap Primer Connection, Dura-Coated cast iron body with 1/2 [13] female thread side inlet trap primer connection.

CONNECTIONS (Check/specify appropriate options)

PIPE SIZE

2, 3, 4 [51, 76, 102]
2, 3, 4 [51, 76, 102]

(Specify size/type) **CONNECTION**

____ NH X NH No-Hub x No-Hub
____ IP X NH Threaded x No-Hub

PREFIXES

____ Z D.C.C.I. Body*

SUFFIXES

____ -G Galvanized Cast Iron
____ -3 3/4 [19] IP Primer Connection

* Regularly furnished unless otherwise specified.