

FEATURES

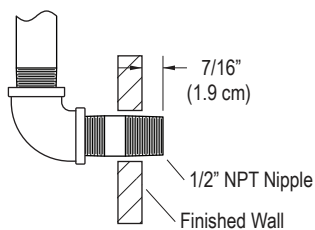
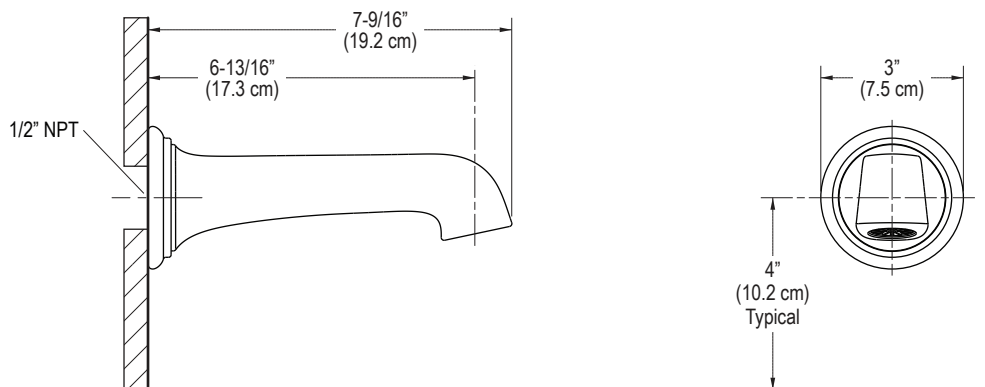
- Solid Brass Construction for Durability and Reliability
- 1/2" NPT Spout Connection
- Coordinates with the Bellis Collection

CODES/STANDARDS APPLICABLE

Specified model meets or exceeds the following:

- ASME A112.18.1/CSA B125.1
- IAPMO/cUPC

P24624



Rough-In Information

SPECIFIED MODEL			
Model	Description	Finishes	
P24624-00	Bellis Wall-Mounted Bath Spout	<input type="checkbox"/> CP Polished Chrome	<input type="checkbox"/> AD Nickel Silver <input type="checkbox"/> AG Brushed Nickel

We reserve the right to make revisions without notice in the design of products or in packaging unless this right has specifically been waived at the time the order is accepted.