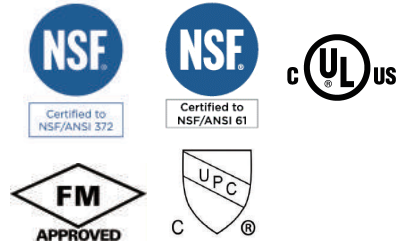




LEAD FREE BRASS BALL VALVES SOLDER ENDS

Features

- Full Port
- 600 PSI Non-Shock WOG
- Temperature Range : -18 °F - 298 °F
- Heavy Duty Rust Resistant Handle with Vinyl Grip
- Blowout-Proof Stem
- Solder Ends ANSI B16.18
- Materials Comply with NSF 372
- Comply with MSS SP-110
- Size : 1/2" - 2"

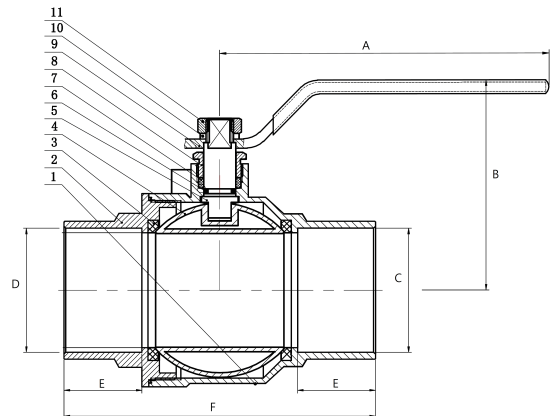


Dimensions & Materials List

*Weighted average lead content $\leq 0.25\%$

Product#	MFG #	Size		A		B		C Ø		D		E		F	
		In.	mm.	In.	mm.	In.	mm.	In.	mm.	In.	mm.	In.	mm.	In.	mm.
4PRO12LFCBV	10.30172.015	1/2"	15	4.00	101.5	1.79	45.5	0.57	14.5	0.63	15.9	0.50	12.7	1.99	50.5
4PRO34LFCBV	10.30172.020	3/4"	20	4.00	101.5	2.05	52	0.73	18.5	0.87	22.2	0.75	19	2.68	68
4PRO1LFCBV	10.30172.025	1"	25	4.86	123.5	2.81	71.5	0.98	25	1.13	28.6	0.92	23.3	3.35	85
4PRO114LFCBV	10.30172.032	1-1/4"	32	4.86	123.5	2.99	76	1.26	32	1.38	35	0.98	25	3.82	97
4PRO112LFCBV	10.30172.040	1-1/2"	40	5.83	148	3.54	90	1.50	38	1.63	41.3	1.14	29	4.43	112.5
4PRO2LFCBV	10.30172.050	2"	50	5.83	148	3.74	95	1.97	50	2.13	54	1.34	34	5.35	136

No.	Part Name	Qty	Materials
1	Body	1	Lead Free Brass
2	End Cap	1	Lead Free Brass
3	Ball	1	Lead Free Brass
4	Seat	2	PTFE
5	Stem Packing	1	PTFE
6	Stem	1	Brass
7	Gland Nut	1	PTFE
8	Packing Nut	1	Brass
9	Handle	1	Steel
10	Washer	1	Steel
11	Nut	1	Steel



Job Name	
Date	
Model Specified	
Quantity	
Customer	
Contractor	
Architect/engineer	

Solder Ends ANSI B16.18