

KOHLER® Faucets 14" Rough-in Full Skirt Trap and Attachment System K-5381

Features

- Converts standard 12" (305 mm) rough-in products to 14" (356 mm) configuration
- Plastic trapway
- For use with the K-3981 Tresham one-piece toilet

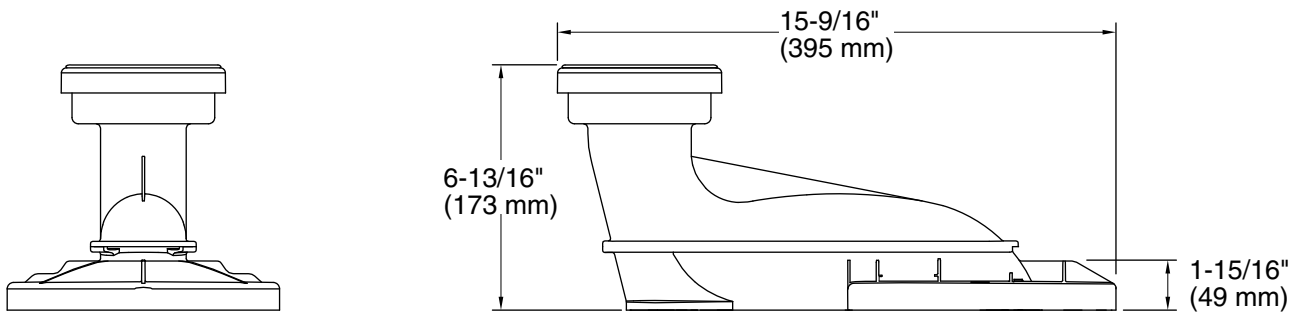
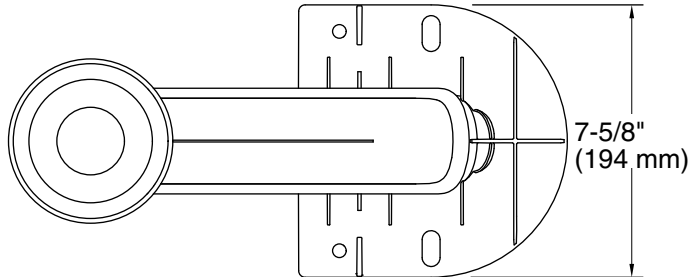


Codes/Standards

ASME A112.19.2/CSA B45.1

KOHLER® One-Year Limited Warranty

See website for detailed warranty information.



Technical Information

All product dimensions are nominal.