

WASHING MACHINE OUTLET BOX

» 688 SERIES

ClassicBox™

SPECIFICATION

Sioux Chief 688 Series ClassicBox™ outlet box shall be used where necessary in plumbing systems. Unit shall allow for mounting with supply lines from top or bottom, on stud or between studs. Galvanized brackets can be secured to the integral top track in the box for support and for between-stud mounting. Models with arresters can be installed with arresters at any angle. Drain shall have a 5/8" integral testing nipple on knockout cap. Unit shall be supplied with 1/4-turn supply valves, having 3/4" male hose connections. Valves shall be plated and replaceable with any common 5/8" compression valve. Outlet connections shall be provided with a tamper-resistant test cap.

MATERIALS

Valve: Forged, No-lead brass¹
Valve shank: No-lead brass¹/CPVC, 304SS grip ring, Brass nut, Silicone seal
Access box/frame*: ABS
Bracket: Galvanized steel
Arrester Body²: Stainless Steel, No-lead brass¹
Arrester Piston²: GFPP with EPDM o-rings

CERTIFICATIONS/APPROVALS

NSF-372 compliant¹, IAPMO listed box and valves
 Valves meet ASME A112.18.1; Arresters² ASSE 1010 certified

VALVE/ARRESTER WORKING LIMITS

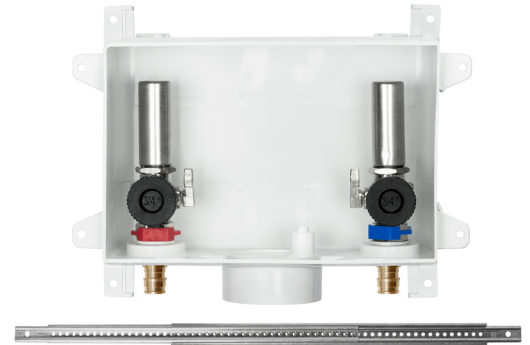
Max working temp: 200 °F
Max air/water testing & working pressure: 150 PSIG

DIMENSIONS

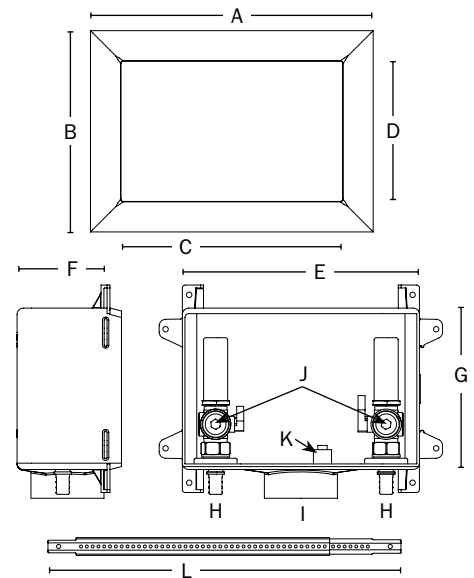
A: Frame width*	10 1/8"
B: Frame height*	7 1/4"
C: Frame opening width*	8"
D: Frame opening height*	5 1/8"
E: Rough-in box width	8 1/4"
F: Rough-in box depth	3"
G: Rough-in box height	5 1/2"
H: Supply connection	1/2" Nominal
I: Drain connection	2" Sch. 40 hub
J: Valve outlet connection	3/4" MHT - capped
K: Test nipple connection	5/8" OD
L: Bracket length	18"

* Frame available separately: 688-F

ITEM # SUBMITTED	_____
JOB NAME	_____
LOCATION	_____
ENGINEER	_____
CONTRACTOR	_____
PO#	_____ TAG _____



688-G11WR



Create Item Number

688-AB

e.g. **688-G11XR**: Washing machine outlet box with arresters, F1807 PEX connection, rough-in pack (no frame)

ARRESTERS A

G10 = No arresters
G11 = With AA arresters

SUPPLY CONNECTION B

CR = 1/2" CPVC socket
MR = 1/2" MIP/F.SWT
PR = 1/2" M.SWT/press/push
VR = 1/2" PEX F3347 press sleeve
WR = 1/2" PEX F1960 Grip™
XR = 1/2" PEX F1807 Crimp™

Available separately:
 Frame only: (688-F)

1 C69300 material is DZR and SCC resistant, compliant with NSF-61 & 372, and compliant with California No Lead Plumbing Law
 2 When applicable/specified - see option A