



Parts List

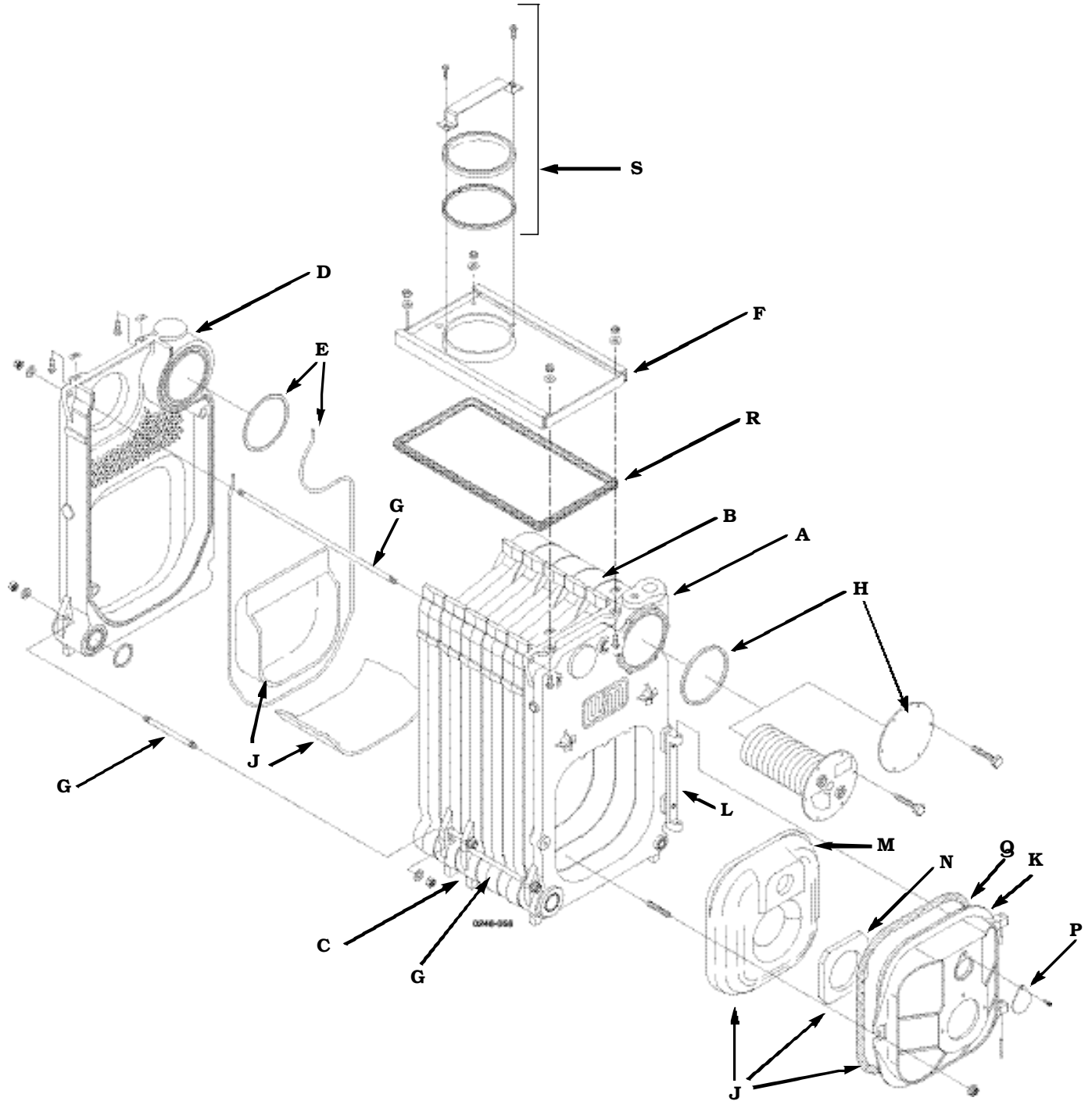
NOTICE

Repair parts must be purchased through Weil-McLain for the specific boiler as indicated in the list below. Results from using modified or other manufactured parts will not be covered by warranty and may damage boiler or impair operation.

Fig. No.	Description	Weil-McLain Part Number
A	Front Section w/Heater Opening 7013	316-700-260
B	Wide Intermediate Section (WTGO-3) 7010	316-700-075
B	Regular Intermediate Section 7015	316-700-065
C	Intermediate Section w/Draw Rod Lugs 7016	316-700-070
D	Back Section w/7" Flue, Supply & 2" Return 7017	316-700-265
E	Section Replacement Kit (For 1 Joint, includes Seals, Rope, Adhesive and Collector Hood Hardware) Front or Back Section	386-700-852
	Section Replacement Kit (For 2 Joints, includes Seals, Rope and Adhesive) Intermediate Section	386-700-851
	Section Assembly Complete, For WTGO-3	386-700-658
	Section Assembly Complete, For WTGO-4	386-700-659
	Section Assembly Complete, For WTGO-5	386-700-660
	Section Assembly Complete, For WTGO-6	386-700-661
	Section Assembly Complete, For WTGO-7	386-700-662
	Section Assembly Complete, For WTGO-8	386-700-663
	Section Assembly Complete, For WTGO-9	386-700-664
F	Collector Hood Kit For WTGO-3*	386-700-337
F	Collector Hood Kit For WTGO-4*	386-700-337
F	Collector Hood Kit For WTGO-5*	386-700-338
F	Collector Hood Kit For WTGO-6*	386-700-339
F	Collector Hood Kit For WTGO-7*	450-020-170
F	Collector Hood Kit For WTGO-8*	450-020-172
F	Collector Hood Kit For WTGO-9*	450-020-160
G	Tie Rod 1/2 x 5 1/2 (WTGO-7, 8, 9)	560-234-464
G	Tie Rod 1/2 x 10 3/4 (WTGO-7)	560-234-491
G	Tie Rod 1/2 x 12 (WTGO-7)	560-234-492
G	Tie Rod 1/2 x 14 (WTGO-3, 4, 8, 9)	560-234-470
G	Tie Rod 1/2 x 15 (WTGO-9)	560-234-495
G	Tie Rod 1/2 x 17 (WTGO-5)	560-234-472
G	Tie Rod 1/2 x 20 (WTGO-6)	560-234-534
G	Tie Rod 1/2 x 23 1/4 (WTGO-7)	560-234-538
G	Tie Rod 1 1/4 x 26 3/8 (WTGO-8)	560-234-542
G	Tie Rod 1/2 x 29 1/2 (WTGO-9)	560-234-497
H	Heater Cover Plate Carton (Cover Plate, Gasket, Studs, & Nuts)	386-700-360
J	Combustion Chamber Kit (Rear & Frt. Ref., Door Ref. Blanket, Rope, Blanket & Water Glass)	386-700-355
	Burner Mounting Door Assembly (Door, Obs. Port, Rope, Ins. & Pins)	386-700-358
K	Burner Mounting Door 7070	330-054-302
L	Door Hinge 7054	330-054-300
M	Door Refractory	386-700-359
N	Door Refractory Blanket	591-222-115
P	Observation Port Shutter	460-039-867
Q	Door Seal Rope 5'	590-735-105
R	3/8" Glass Rope For Collector Hood (7' For Largest Size Hood)	590-735-109
S	Flue Cap Assembly (Cap, Strap, Rope & Screws)	386-700-344
	Flue Brush 123D	591-706-214

* Includes flue cap assembly, rope and hardware for installation.

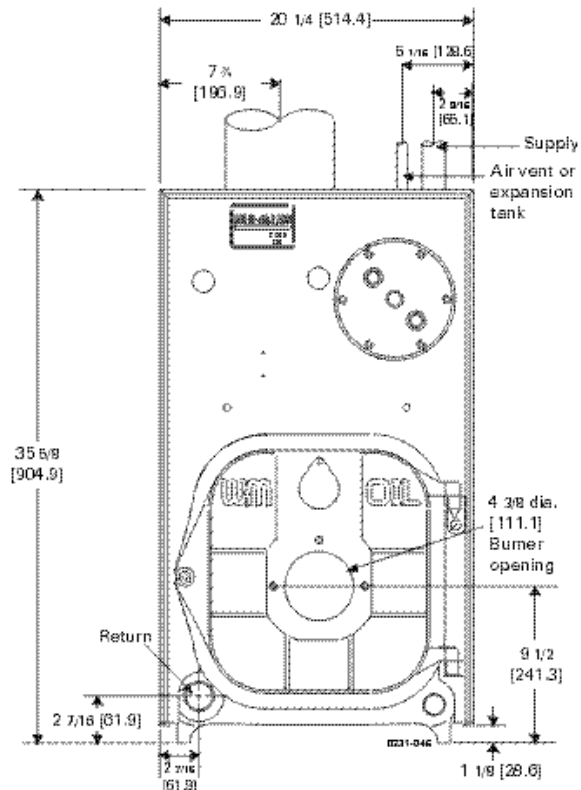
Parts Drawing





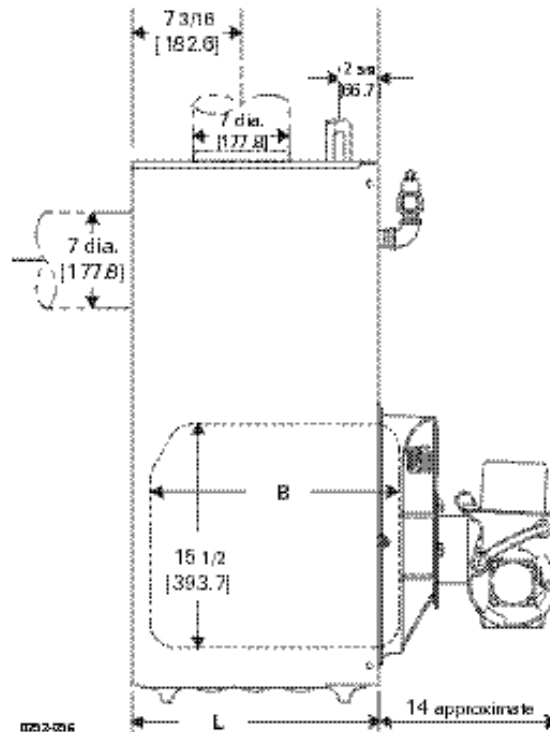
Dimensions

DIMENSIONS - in.		
BOILER MODEL NUMBER	B	L
WTGO-3	13 1/2	16 7/8
WTGO-4	13 5/8	16 7/8
WTGO-5	16 7/8	20
WTGO-6	20	22 1/8
WTGO-7	23 1/8	26 1/4
WTGO-8	26 1/4	29 3/8
WTGO-9	29 3/8	32 1/2

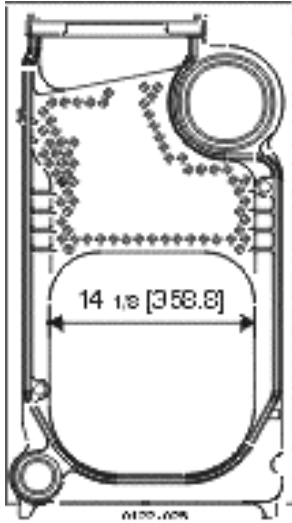


WTGO Front

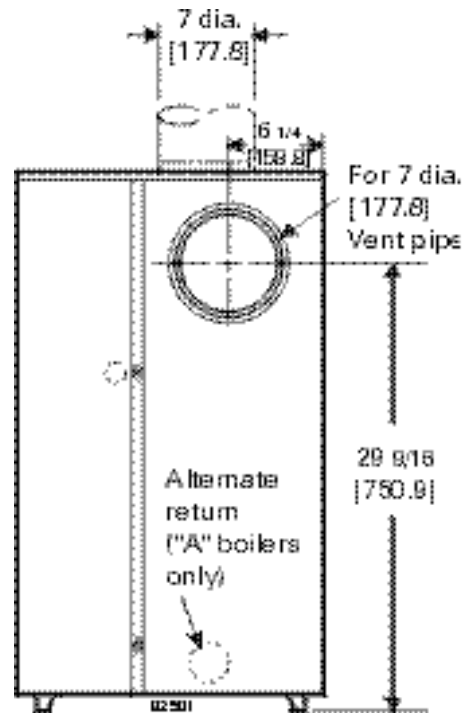
DIMENSIONS - mm.		
BOILER MODEL NUMBER	B	L
WTGO-3	342.9	428.7
WTGO-4	345.9	428.7
WTGO-5	428.7	508.0
WTGO-6	508	587.2
WTGO-7	587.2	666.7
WTGO-8	666.7	746.2
WTGO-9	746.2	825.5



WTGO Side with Burner



Intermediate



Back



Ratings



WTGO GOLD OIL WATER BOILER RATINGS (1)

BOILER MODEL NUMBER	I=B=R BURNER CAPACITY GPH (3)	DOE HEATING CAPACITY (4) MBH (2)	NET I=B=R RATINGS (5) MBH (2)	DOE SEASONAL EFFICIENCY % AFUE	MINIMUM I=B=R CHIMNEY			ROUND FLUE OUTLET SIZE IN (7)	BOILER WATER CONTENT GAL	DRAFT LOSS THRU BOILER IN W.C. (8)
					RECT IN	ROUND IN	HEIGHT FT			
*-WTGO-3	0.95	115	100	85.3	8 x 8	6	15	7	14.9	.020
*-WTGO-4	1.20	145	126	85.0	8 x 8	6	15	7	13.4	.010
*-WTGO-5	1.45	175	152	85.0	8 x 8	7	15	7	15.9	.015
*-WTGO-6	1.75	212	184	85.0	8 x 8	7	15	7	18.4	.015
** -WTGO-7	2.00	242	210	85.0	8 x 8	8	15	7	20.8	.015
** -WTGO-8	2.30	266 (6)	231	—	8 x 12	8	20	7	23.3	.025
** -WTGO-9	2.55	295 (6)	257	—	8 x 12	8	20	7	25.8	.030

* Substitute "P" for completely assembled packaged boiler without burner (WTGO-3 through WTGO-6 only).

Substitute "A" for boiler only for use with approved burners as listed with I=B=R.

** Available only as an "A" unit.

- (1) WTGO boiler designed with convertible vertical and horizontal flue outlet.
- (2) MBH refers to thousands of Btu per hour.
- (3) Based on 140,000 Btu/gal.
- (4) Based on standard test procedures prescribed by the United States Department of Energy at combustion condition of 13.5% CO₂ and -0.02" W.C. draft overfire.
- (5) Net I=B=R ratings are based on net installed radiation of sufficient quantity for the requirements of the building and nothing need be added for normal piping and pick-up. Water ratings are based on a piping and pick-up allowance of 1.15. An additional allowance should be made for unusual piping and pick-up loads. Consult local Weil-McLain Sales Office.
- (6) I=B=R gross output
- (7) See page 12 for minimum breeching diameter.



Weil-McLain
500 Blaine Street
Michigan City, IN 46360-2388
<http://www.weil-mclain.com>