

Snap-N-Loc® Basket Strainer

300 Grade Stainless Steel or Brushed Stainless Steel



DESIGNERS SERIES

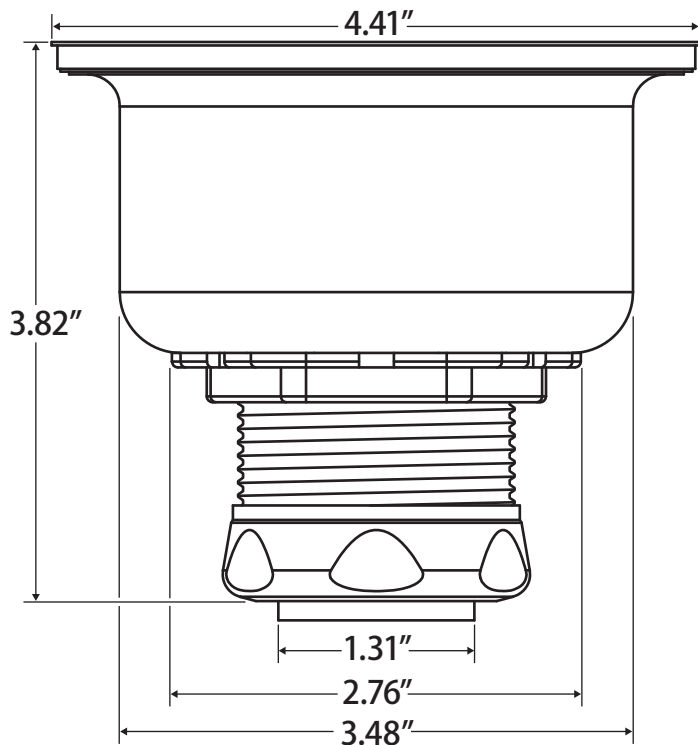


SS-306



Clamshell
Package

As one of Jomar's more popular basket strainers, the Snap-N-Loc® is known for its original spring-loaded ball bearing post design that snaps perfectly into place, creating a positive leak-proof seal every time. This popular strainer is constructed with a high quality stainless steel deep-cup body, ball bearing, and basket, and comes standard with a brass tail nut. With a sleek design and proven track record, it has become such a favorite among installers that it is offered in brushed or polished stainless steel finish.



No.	Materials		
	300-006	300-008	300-017CLAM*
1 Handle	Chrome Plated Brass		
2 Strainer Basket	SS304	Brushed SS304	
3 Body	Polished SS304	Brushed SS304	
4 Rubber Washer	BUNA-N		
5 Cup	Galvanized Steel		
6 Lock Nut	Zinc	Brass	
7 Seal Ring	Polyethylene		
8 Tail Nut	Brass		

*Sold in a clamshell package shown above
Note: All models include friction ring

Note: Information subject to change without notice.