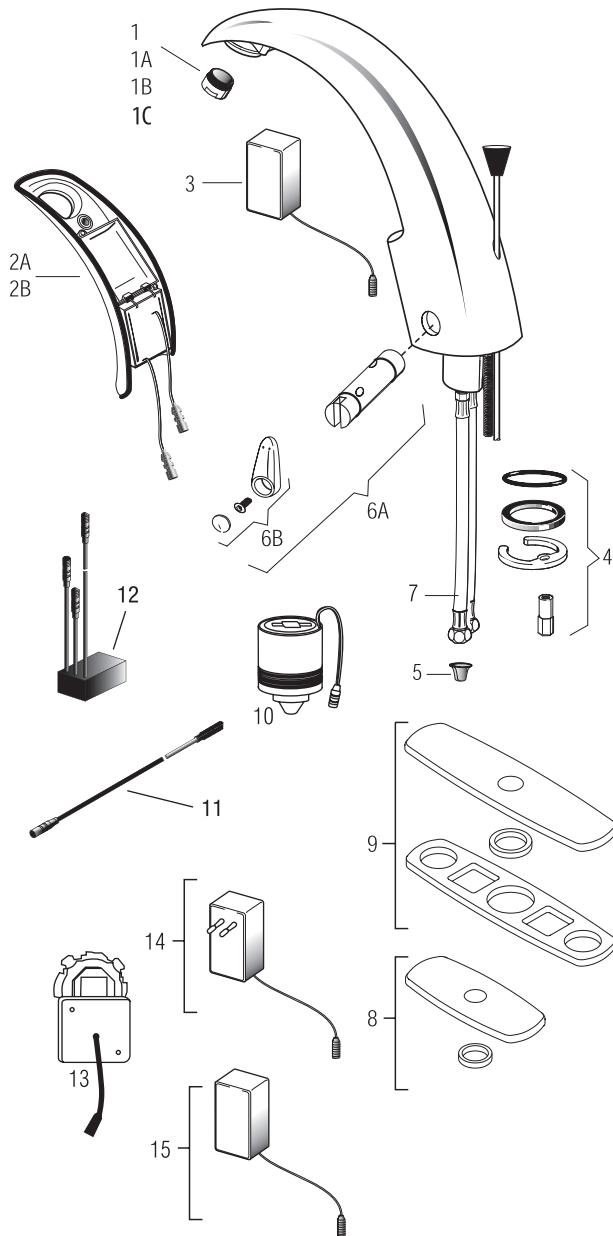


Optima i.q.® EAF-100*



EAF-100

EAF-100-ISM-DPU-IC

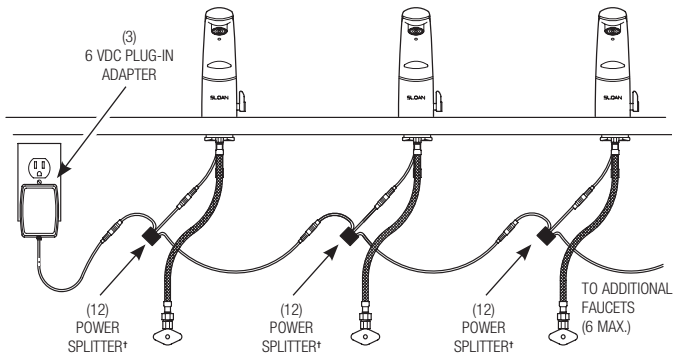


PARTS LIST—EAF-100 FAUCETS

Item No.	Code No.	Part No.	Description
1.	0335021	EAF-22	1.5 gpm (5.7 Lpm) Aerator Spray Head
1A.	0335008	EAF-10	2.2 gpm (8.3 Lpm) Aerator Spray Head
1B.	0335010	EAF-12	0.5 gpm (1.9 Lpm) Spray Head
1C.	0335029	EAF-51	0.35 gpm (1.3 Lpm) Spray Head (Multi-Lam)
2A.	0335004	EAF-6-A	Throat Plate Assembly (Plug-in Adapter Models)
2B.	0335005	EAF-7-A	Throat Plate Assembly with i.q.-cliq (Plug-in Adapter Model)
3.	0335009	EAF-11	90-264 VAC/6.75 VDC Plug-In Adapter (US)
4.	0335000	EAF-1	Faucet Mounting Kit
5.	0335007	EAF-9	Strainer (Filter)
6A.	3335118	EAF-1022-A	Side Mixer Cartridge & Handle
6B.	3335011	EAF-1002	Handle Repair Kit
7.	3335023	EAF-1008	13" (330 mm) Flexible Supply Hose
8.	3365302	ETF-607-A	Trim Plate for 4" Center-set Sink
9.	3365303	ETF-608-A	Trim Plate for 8" Center-set Sink
10.	0335001	EAF-2	Solenoid
11.	0335024	EAF-24-A	11-13/16" (300 mm) Extension Cable
	0335025	EAF-25-A	47-1/4" (1200 mm) Extension Cable
	0335015	EAF-17-A	126" (3200 mm) Extension Cable
12.†	—	EAF-44-A	Power Splitter†
13.	0335037	EAF-37	6 VDC Box Mount Adapter
14.	0335038	EAF-38	90-264 VAC/6.75 VDC Plug-In Adapter (EURO)
15.	0335039	EAF-39	90-264 VAC/6.75 VDC Plug-In Adapter (UK)

† EAF-44 replaces the separate EAF-23-A Splitter Cable and EAF-28 Capacitor, which is sold separately. EAF-1001 Mixer Handle Assembly and Cartridge prior to 2004 Discontinued

Electrical Connection for up to Six (6) Faucets Using One (1) Adapter



* EAF-100 faucets introduced in 2011 now require EAF-28-A Capacitor or EAF-44-A Power Splitter in ganging applications.

Faucets and Soap Dispensers

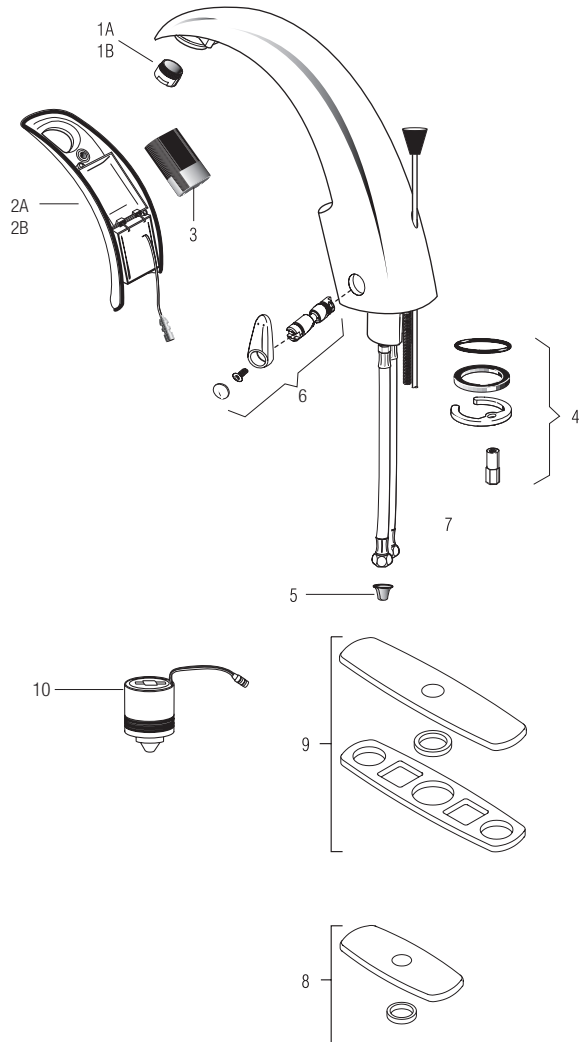
Optima i.q.® EAF-150



EAF-150



EAF-150-ISM-DPU-IC



PARTS LIST—EAF-150 FAUCETS

Item No.	Code No.	Part No.	Description
1A.	0335008	EAF-10	2.2 gpm (8.3 Lpm) Aerator Spray Head
1B.	0335010	EAF-12	0.5 gpm (1.9 Lpm) Spray Head
1C.	0335029	EAF-51	0.35 gpm (1.3 Lpm) Spray Head (Multi-Lam)
2A.	0335002	EAF-3-A	Throat Plate Assembly (Battery Models)
2B.	0335003	EAF-4-A	Throat Plate Assembly with i.q.-cliq (Battery Model)
3.	3335009	EAF-1000	Battery Replacement Kit (6V 2CR5 with 2.5 mm Allen Wrench)
4.	0335000	EAF-1	Faucet Mounting Kit
5.	0335007	EAF-9	Strainer (Filter)
6.	3335118	EAF-1022	Mixer Handle Assembly and Cartridge (post 2004)
7.	3335023	EAF-1008	13" (330 mm) Flexible Supply Hose
8.	3365302	ETF-607-A	Trim Plate for 4" Center-set Sink
9.	3365303	ETF-608-A	Trim Plate for 8" Center-set Sink
10.	0335001	EAF-2	Solenoid


EAF-1001 Mixer Handle Assembly & Cartridge Discontinued (Faucets manufactured prior 2004).
Use Mixer Handle Assembly Cartridge kit EAF-1022-A (Faucets manufactured post 2004).

Sloan Faucet Spout End Devices Chart

EAFF SERIES - SF-2100/SF-2150/SF-2300/SF-2350/SF-2400/SF-2450 (THREAD SIZE M24)

Part No.	Code No.	Flow Rate
EAFF-12	0335010	0.5 gpm (1.9 Lpm)
Multi-Laminar Spray Metric Male Thread		
EAFF-13	0335011	2.2 gpm (8.3 Lpm)
LAM Metric Male Thread		
EAFF-15	0335012	0.5 gpm (1.9 Lpm)
Multi-Laminar Metric Male Thread VR w/Key		
EAFF-22	0335021	1.5 gpm (5.6 Lpm)
AER Metric Male Thread		
EAFF-51	0335029	0.35 gpm (1.3 Lpm)
Multi-Laminar Metric Male Thread		
SFP-13	0362013	0.5 gpm (1.9 Lpm)
Multi-Laminar Spray Metric Male Thread		
SFP-23	0362023	2.2 gpm (8.3 Lpm)
AER Metric Male Thread		
SFP-24	0362024	2.2 gpm (8.3 Lpm)
AER Metric Male Thread VR w/Key		
SFP-1000	3362000	0.35 gpm (1.3 Lpm)
Multi-Laminar Metric Male Thread VR w/Key		
AER Metric Male Thread	<u>Not Shown</u>	
EAFF-63	0335036	0.5 gpm (1.9 Lpm)

SLOANSTONE EW-72000/73000 SERIES (THREAD SIZE 13/16"-27)

Part No.	Code No.	Flow Rate
ETF-1037-A	3365747	1.0 gpm (3.8 Lpm)
Multi-Laminar Spray JR Male Thread VR w/Key		



ETF-500/ETF-700 SERIES – ETF-800 – ESF-20/ESF-30/ESF-40 (THREAD SIZE 3/4"-27)

Part No.	Code No.	Flow Rate
ETF-621	0365147	2.2 gpm (8.3 Lpm)
LAM JR Female Thread		
ETF-687	0365387	1.5 gpm (5.6 Lpm)
LAM JR Female Thread		
ETF-801	0365420	0.5 gpm (1.9 Lpm)
Multi-Laminar Spray JR Female Thread		

INSERT ONLY

ETF-689	0365381	1.5 gpm (5.6 Lpm)
LAM Spray Head Insert		
ETF-843	0365437	0.5 gpm (1.9 Lpm)
Multi-Laminar Spray Head Insert		

VANDAL RESISTANT SPRAY HEAD REMOVAL KEY

Part No.	Code No.
ETF-435	0305927PK
Regular/JR Size VR Removal Key	
ETF-731	0365736
Regular/JR Size VR Removal Key	

Key: LAM – Laminar
 AER – Aerated
 VR – Vandal Resistant
 JR – Junior

Hand Hygiene