

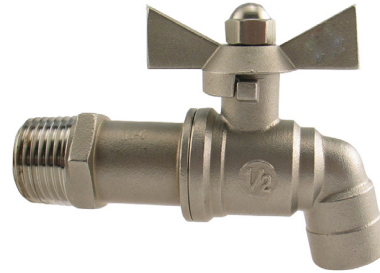
SSSF52 SERIES 304 STAINLESS STEEL SAMPLING FAUCET - 1/4 TURN

SPECIFICATION:

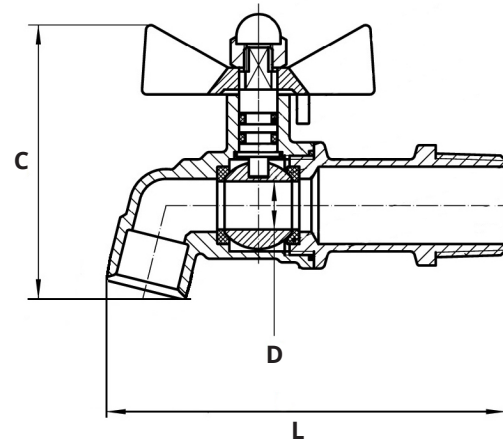
- Threads conform to ANSI/ASME B1.20.1
- Max Pressure Rating: 200 PSI
- Max Temperature Rating: 248°F (120°C)
- Stem packing material: Dual O-ring Rubber (NBR)
- Seat material: PTFE
- 304 stainless steel handle

CERTIFICATION:

- NSF/ANSI Standard 372 Certified



MATERIAL LIST	
Part Name	Material
Bonnet	304 Stainless Steel
Gasket	PTFE
Ball Seat	PTFE
Ball	304 Stainless Steel
Body	304 Stainless Steel
Stem	304 Stainless Steel
O-Ring	Rubber (NBR)
Handle	304 Stainless Steel
Nut	304 Stainless Steel



DIMENSIONS								
Part No.	Description	D		L		C		Weight grams
		inches	mm	inches	mm	inches	mm	
SSSF52-05	1/2" MPT	0.40	10.00	2.40	61.00	3.20	81.00	160
SSSF52-07	3/4" MPT	0.40	10.00	2.40	61.00	3.60	91.00	180



25 Whaley Avenue, PO Box 310, Milverton, ON CANADA N0K 1M0
Tel: 800-561-3164

boshart.com ♦ blog.boshart.com