

STERLING®

A KOHLER COMPANY

FINESSE™

Features

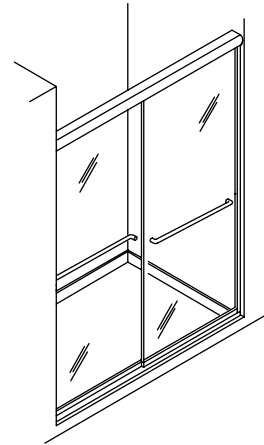
- CleanCoat® glass coating
- Heavy-duty, anodized aluminum-framed glass doors
- Out-of-plumb adjustability allows for easy installation
- Aluminum components extruded from alloy 6063-T5
- Reversible top track can be installed with either the round or flat side facing out
- Stainless steel hardware prevents rusting or corrosion
- 1/4" (6 mm) thick tempered glass
- Two through-the-glass towel bars, located both inside and outside, enhance appearance and usability
- Frameless design highlights bathing area

Codes/Standards Applicable

Specified model meets or exceeds the following:

- ANSI Z97.1 (tempered glass)
- 16 CFR Part 1201

FRAMELESS BYPASS BATH/ SHOWER DOOR 5400 Series



Colors/Finishes

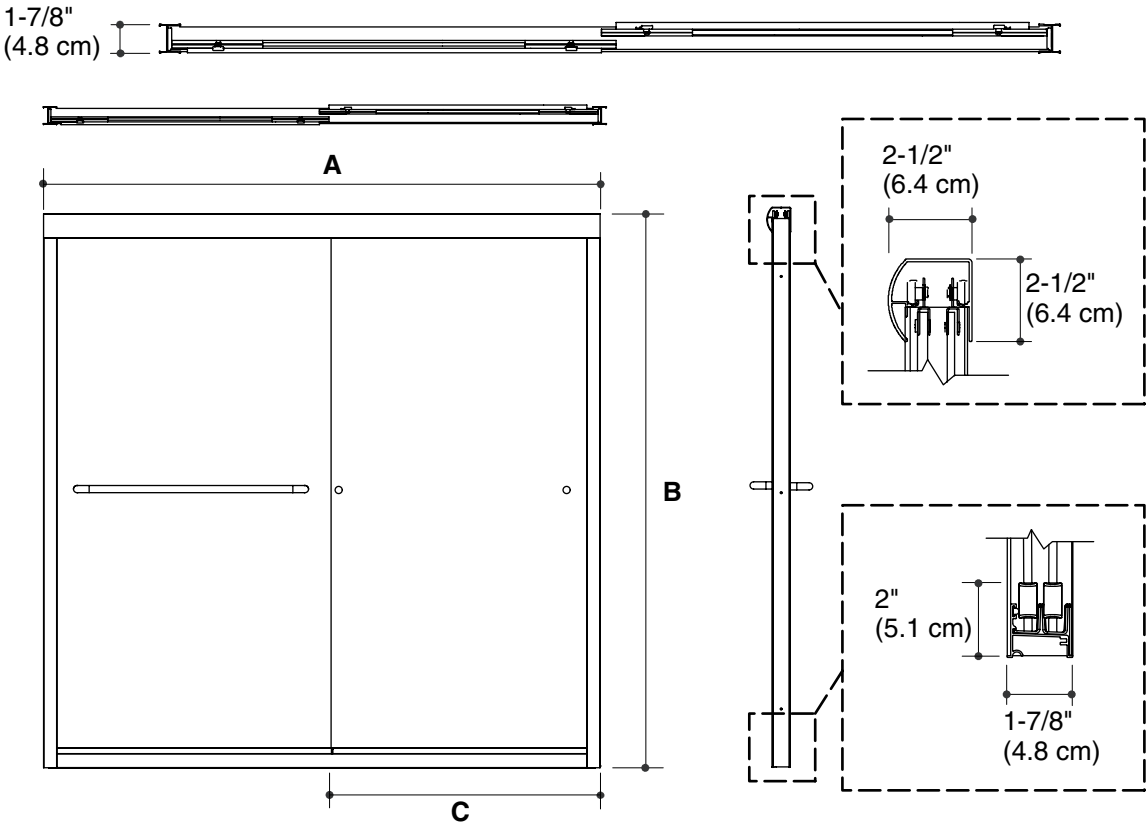
- Refer to the Price Book for current frame finish and glass options

Specified Model

Model	A (Max Width)*	B (Height)*	C (Walk Through Max)*
5405-59**	59-5/8" (151.4 cm)	58-1/16" (147.5 cm)	27-7/8" (70.8 cm)
5425-57**	57" (144.8 cm)	55-1/2" (141 cm)	26-5/8" (67.6 cm)
5425-59**	59-5/8" (151.4 cm)	55-1/2" (141 cm)	27-7/8" (70.8 cm)
5475-48**	47-5/8" (121 cm)	70-1/16" (178 cm)	21-7/8" (55.6 cm)
5475-59**	59-5/8" (151.4 cm)	70-1/16" (178 cm)	27-7/8" (70.8 cm)
5485-48**	47-5/8" (121 cm)	72" (182.9 cm)	21-7/8" (55.6 cm)

* Note: Consult the diagram on the next page for the location of the measurements.

** Note: Add appropriate frame color/finish code to the end of the unit model # when ordering.



Product Diagram