



Features

- Freestanding design creates a striking focal point in your bathing area.
- Integral lumbar support.
- Wide ledge on one side is ideal for deck-mount faucet and/or handshower.
- 16" soaking depth.
- Textured bottom surface.
- Center drain.
- 65-1/2" (1664 mm) x 35-1/2" (902 mm) x 24-1/2" (622 mm)

Material

- Acrylic

Installation

- Freestanding
- PureFlo drains are not recommended for a deck-mount faucet installation

Recommended Accessories

- K-37383 30" Rough-in Cable Bath Drain
- K-37386 30" Rough-in Cable Bath Drain
- K-7265 Clearflo Bath Drain
- K-24916 Wireless Music Kit
- K-T37391 Bath Cable Drain Trim
- K-T37392 Bath Cable Drain Trim
- K-T37393 Bath Cable Drain Trim
- K-T37394 Bath Cable Drain Trim
- K-T37395 Bath Cable Drain Trim
- K-T37396 Bath Cable Drain Trim
- K-T37397 Cable Bath Drain Trim



Codes/Standards

CSA B45.5/IAPMO Z124
Greenguard UL 2818 - Gold



KOHLER® Plastic Baths and Receptors Lifetime Limited Warranty

See website for detailed warranty information.

Available Color/Finishes

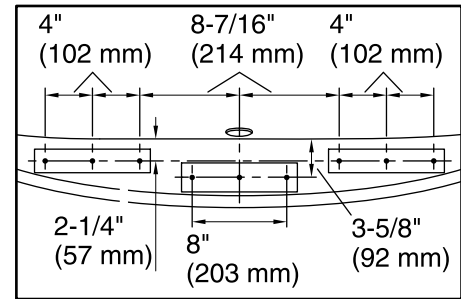
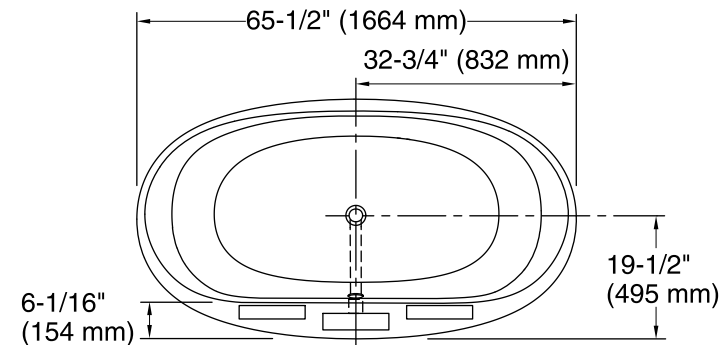
Color tiles intended for reference only.

Color	Code	Description
-------	------	-------------

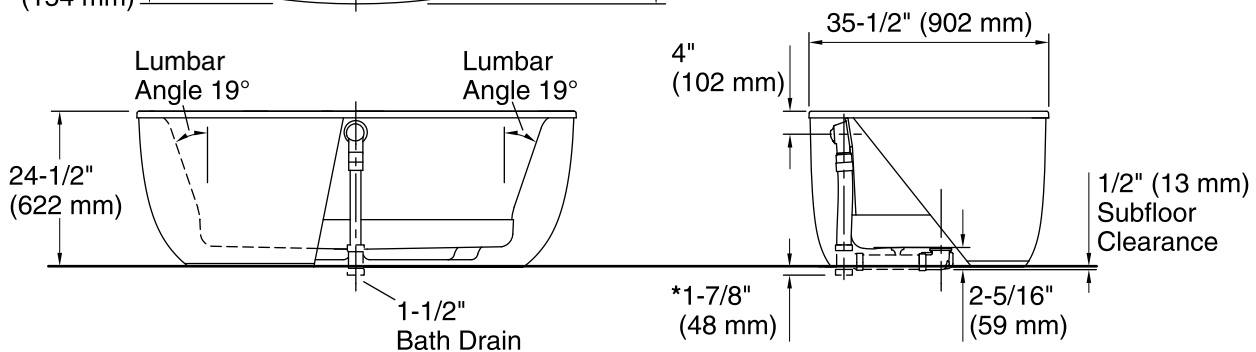
	0	White
	96	Biscuit

No change in measurements if connected with drain illustrated. (K-37385)

 Recommended Faucet Location



Recommended Faucet Hole Location



*Allow for appropriate clearance in subfloor for drain tee clearance.

Note: Horizontal PVC pipe and tee shown, not included.

Technical Information

All product dimensions are nominal.

Installation:	Freestanding
Basin area, bottom:	45-3/4" x 24-7/8" (1162 mm x 632 mm)
Basin area, top:	54-7/8" x 29-3/16" (1394 mm x 741 mm)
Weight:	110 lbs (49.9 kg)
Minimum floor load:	40.4 lbs/ft ² (197.3 kg/m ²)
Water depth:	16" (406 mm)
Water capacity:	72.6 gal (274.8 L)
Template:	Footprint, 1245667, not required, not included

Notes

Measure your actual product for rough-in details. Install this product according to the installation instructions.

The hot water supply should be 70% of the capacity of the bath or greater. Installations will vary.

Do not support the load weight of the bath by the rim.

If installing a rim-mount faucet, make sure there is no interference above or below the deck before drilling any holes.