



## All Pro® Performa™

60" Bath/Shower

61040120



### Features

- Durable swirl gloss finish.
- Acrylic towel bar included on back wall.
- Modular design allows it to be moved around corners and through doorways with ease.
- 15" (381 mm) bath depth (floor to top of threshold).
- 60" (1524 mm) x 30" (762 mm) x 72-3/4" (1848 mm) complete unit finished dimensions.

### Material

- Compression molded from our exclusive solid Vikrell® material.

### Installation

- Tongue-and-groove four piece modular design allows for easy snap together installation.
- Caulk is required in seams for proper installation.

### Components

Product includes:

61044100 60" Bath/Shower Wall Set

61041120 60" x 30" Bath



### Codes/Standards

CSA B45.5/IAPMO Z124

ASTM E162

ASTM E662

Greenguard UL 2818 - Gold

HUD, UM Bulletin 73



### STERLING® Warranty - Fixtures Made of Solid Vikrell Material

See website for detailed warranty information.

### Available Color/Finishes

*Color tiles intended for reference only.*

#### Color Code Description

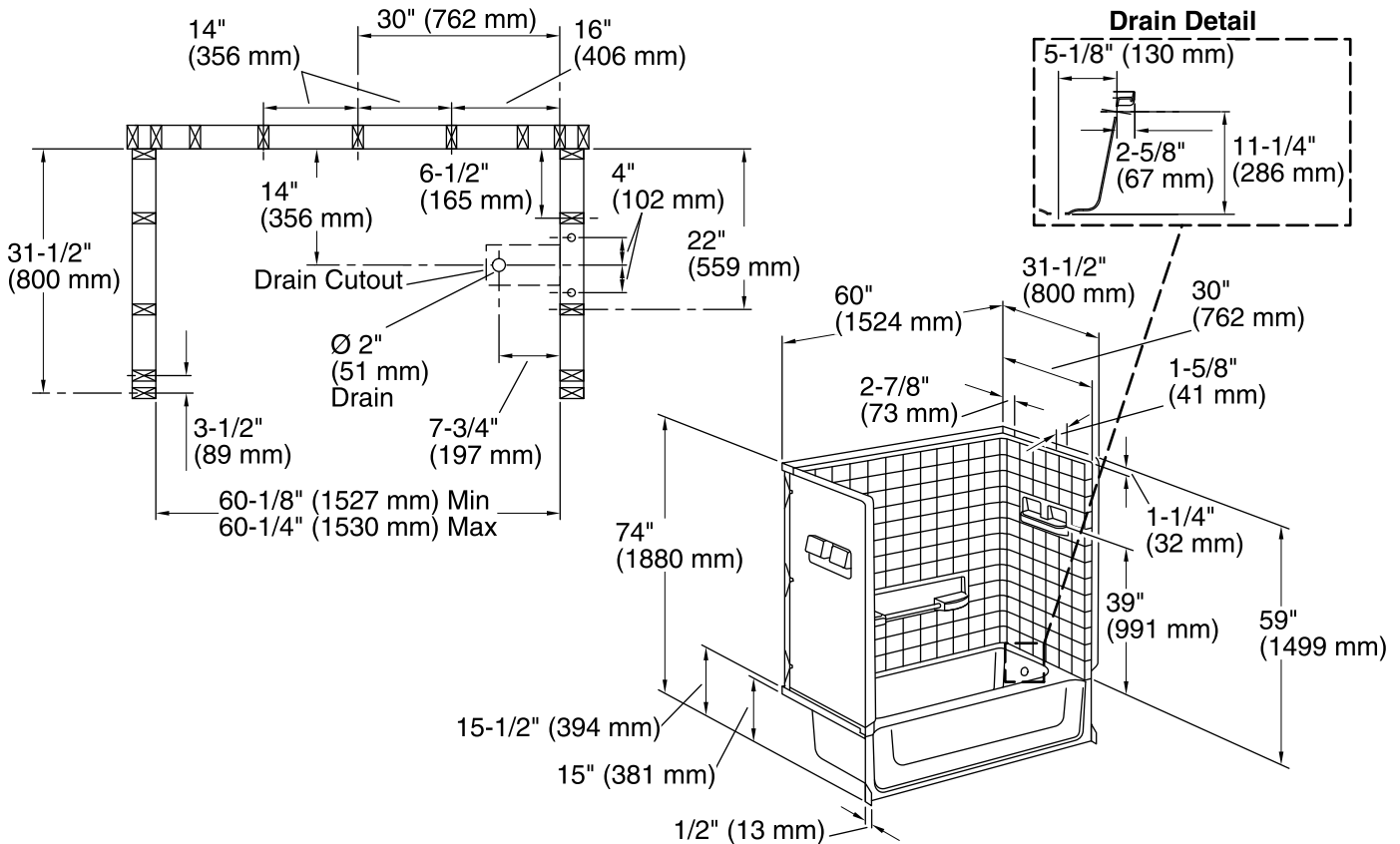
	0	White
	96	Biscuit

USA/Canada: 1-800-STERLING (1-800-783-7546)

Kohler Co. reserves the right to make revisions without notice to product specifications.

For the most current Specification Sheet, go to [www.sterlingplumbing.com](http://www.sterlingplumbing.com).

3-27-2016 05:48



### Technical Information

All product dimensions are nominal.

Installation: 3-Wall Alcove

Drain location: Right

Basin area, bottom: 48" x 21" (1219 mm x 533 mm)

Basin area, top: 55" x 23" (1397 mm x 584 mm)

Water depth: 9-3/8" (238 mm)

Water capacity: 35 gal (132.5 L)

Minimum flat for door: 2-1/4" (57 mm)

Door height required: 57-3/4" (1467 mm)

Door width required: 57-1/2" (1461 mm)

### Notes

Measure your actual product for rough-in details.

Install this product according to the installation instructions.

The hot water supply should be 70% of the capacity of the bath or greater. Installations will vary.

Studs should be positioned roughly as shown.

Double studding is recommended for pivot shower door installations.