

Features

- Fits minimum 36" (914 mm) apron sink base cabinet
- Large/medium bowls
- 9" (229 mm) depth provides generous workspace
- Smart Divide® feature offers a lower bowl divider that increases workspace versatility
- Self-Trimming® apron overlaps cabinet face for easy installation and beautiful results
- Rear drain placement increases vanity cabinet storage space underneath sink
- Includes installation hardware and cutout templates
- Includes bottom sink rack
- Rounded 10mm corners are easy to clean

Material

- Handcrafted from 16-gauge stainless steel
- Premium 16-gauge stainless steel

Installation

- Undermount

Recommended Products/Accessories

- K-6477 Sink Rack
- K-8801 Sink drain and strainer with tailpiece
- K-8799 Sink drain and strainer basket
- K-23726 Drain treatment
- K-23729 Stainless steel cleaner

Optional Products/Accessories

- K-11352 Disposal Flange with Stopper

Included Components

Additional Components:

6476

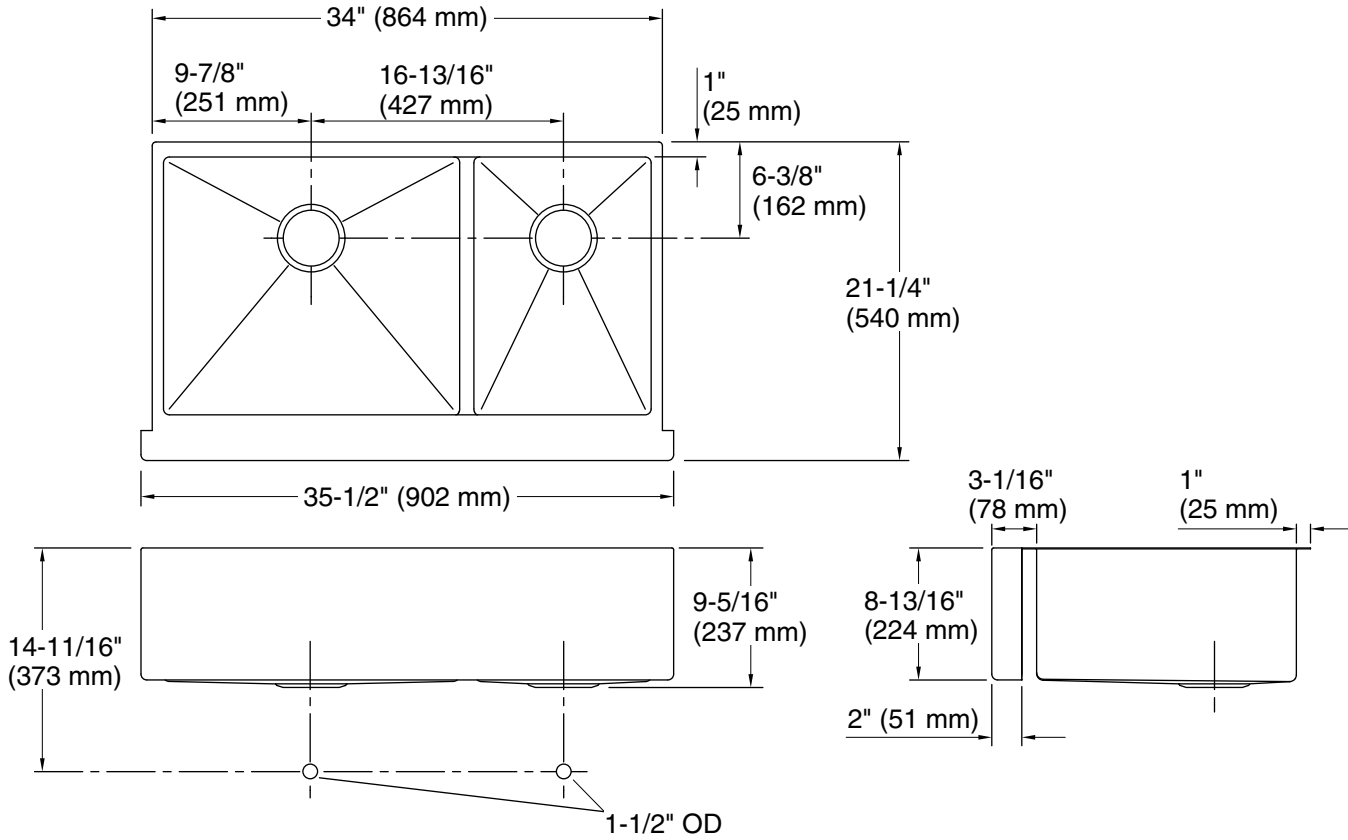


Codes/Standards

ASME A112.19.3/CSA B45.4

KOHLER® Stainless Steel Sinks Lifetime Limited Warranty

See website for detailed warranty information.



Technical Information

All product dimensions are nominal.

Bowl configuration:	Off-set Large/small
Installation:	Undermount
Min. base cabinet width:	36" (914 mm)
Bowl area (Left):	Length: 19-11/16" (500 mm) Width: 17-3/16" (437 mm) Bowl depth: 9" (229 mm) Water depth: 9" (229 mm)
Bowl area (Right):	Length: 11-11/16" (297 mm) Width: 17-3/16" (437 mm) Bowl depth: 9" (229 mm) Water depth: 9" (229 mm)
Drain hole:	3-3/4" (94 mm)
Template:	1224194-7, required, included

Notes

Install this product according to the installation instructions.

The 3/4" (19 mm) side rim flanges are supported without using the clip attachment. See the installation guide for further instructions.