

ELKAY® SPECIFICATIONS

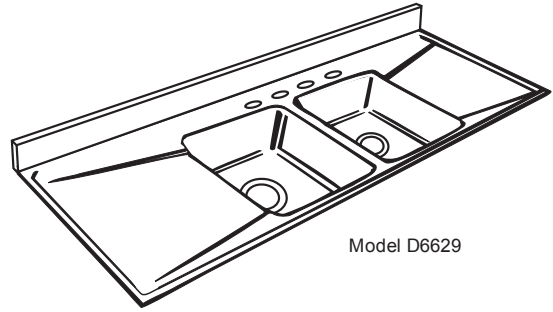
Lustertone® Sink Tops – D Series Double Bowl – Double Drainboards with Integral Backsplash

GENERAL

#18 (1.2mm) gauge, type 304 stainless steel sinktop with integral bowls, fan pitched drainboards and backsplash. All exposed surfaces hand-blended to a Lustrous highlighted Satin finish. Designed for use with standard size base cabinet. (Custom sizes are available by contacting an Elkay Representative.)

DESIGN FEATURES

Bowl Depth: 7-1/2" (191mm).
Coved Corners: 1-3/4" (44mm) radius.
Sintop Thickness: 1-1/2" (38mm).
Backsplash: 4" (10mm) high, full length, 1/4" (6mm) covered corner.
Outside edge of sink and drainboards have a 5-/32" (4mm) raised rim.
Drain Opening: 3-1/2" (89mm).
Underside is fully undercoated.
Each Unit has wood mounting strips attached to underside for fastening top to cabinet.
Stocked in four faucet holes only. Other hole drillings locations are available made to order.
Sink complies with ASME A112.19.3/ CSA B45.4



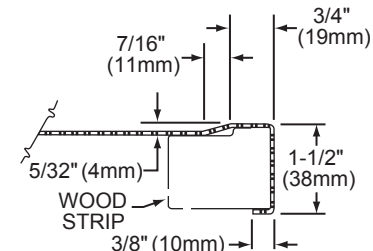
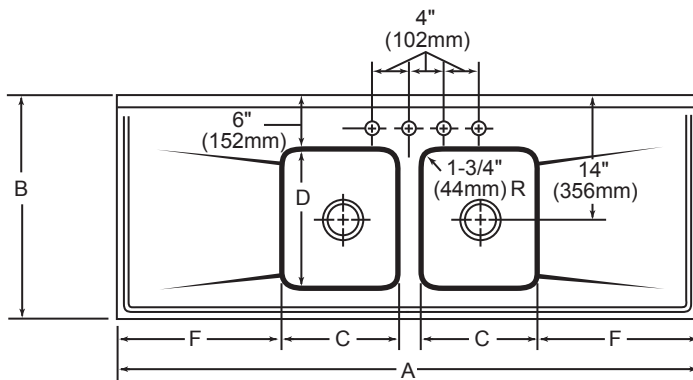
Model D6629

 Sinks are listed by IAPMO® as meeting the applicable requirements of the Uniform Plumbing Code®, International Plumbing Code®, and National Plumbing Code of Canada.

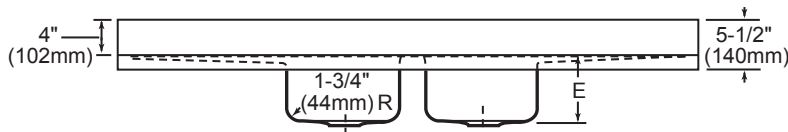
SINK DIMENSIONS*

Model Number	Overall		Inside Each Bowl			Drainboard		Drain Location	No. of 1 1/2" (38mm) Dia. Faucet Holes 4" (102mm) centers	Minimum Cabinet Size
	L	W	L	W	D	L	Location			
D6629	66 (1676mm)	25 (635mm)	13 1/2 (343mm)	16 (406mm)	7 1/2 (191mm)	18 7/16 (468mm)	L & R	Centered	4	69 (1753mm)

* Length is left to right. Width is front to back.



DETAIL OF RIM



In keeping with our policy of continuing product improvement, Elkay reserves the right to change product specifications without notice. Please visit elkay.com for the most current version of Elkay product specification sheets.

This specification describes an Elkay product with design, quality, and functional benefits to the user. When making a comparison of others producers' offerings, be certain these features are not overlooked.