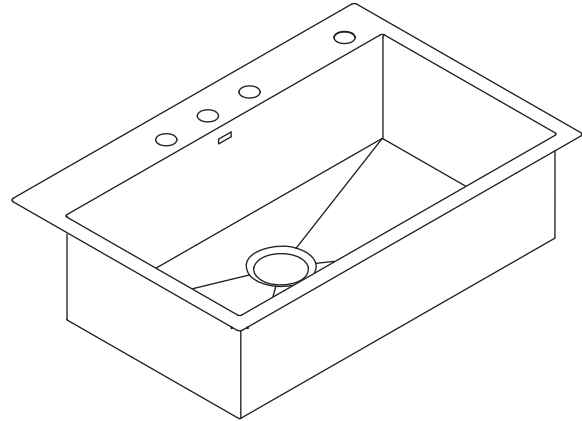


### Features

- 18-gauge stainless steel
- Top-mount or under-mount
- Large single bowl
- Includes bottom bowl rack (large bowl)
- Includes installation hardware
- Includes SilentShield® sound-absorption technology
- Use for standard 36" cabinet
- 33" (838 mm) x 22" (559 mm)

### TOP-MOUNT/UNDER-MOUNT KITCHEN SINK K-3821



### Codes/Standards Applicable

Specified model meets or exceeds the following:

- ASME A112.19.3/CSA B45.4

### Colors/Finishes

- NA: None applicable

### Accessories

- CP: Polished Chrome
- ST: Stainless Steel
- NA: None applicable
- Other: Refer to Price Book for additional colors/finishes

### Specified Model

Model	Description	Colors/Finishes
K-3821-1	Top-mount/Under-mount kitchen sink – single-hole	<input type="checkbox"/> NA
K-3821-3	Top-mount/Under-mount kitchen sink – 3-hole	<input type="checkbox"/> NA
K-3821-4	Top-mount/Under-mount kitchen sink – 4-hole (shown)	<input type="checkbox"/> NA

Included Accessories		
K-6644	Bottom bowl rack	<input type="checkbox"/> ST

Optional Accessories					
K-6429	Sink bridge utility shelf with dish cloth bar				
K-6667	Wood cutting board			<input type="checkbox"/> NA	
K-8801	Duostrainer® sink strainer (cont.)	<input type="checkbox"/> CP	<input type="checkbox"/> ST		<input type="checkbox"/> Other_____

### Product Specification

The top-mount or under-mount kitchen sink shall be made of 18-gauge stainless steel. Sink shall include bottom bowl rack and installation hardware. Sink shall have a large single bowl. Sink shall include SilentShield sound-absorption technology. The sink shall be 33" (838 mm) in length and 22" (559 mm) in width. Sink shall be for use with standard 36" cabinet. Sink shall be Kohler Model K-3821-\_\_\_\_-NA.

## (cont.) Optional Accessories

1131881	Hardware kit for countertops with a 2-1/2" (64 mm) thickness or less			<input type="checkbox"/> NA	
---------	--	--	--	-----------------------------	--

## Technical Information

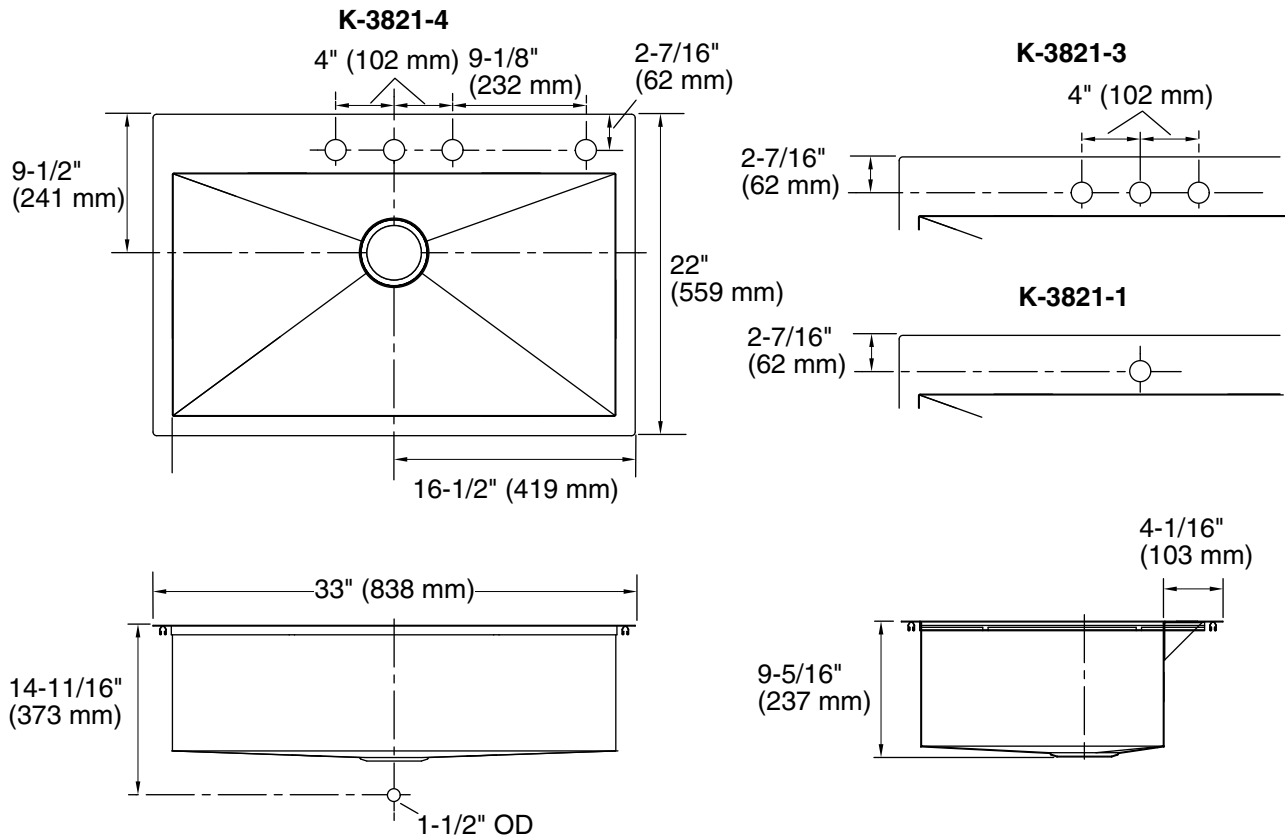
Fixture*:	
Bowl area	30-1/4" (768 mm) x 16-9/16" (421 mm)
Water depth	9" (229 mm)
Drain hole	Ø 3-5/8" (92 mm)
* Approximate measurements for comparison only.	

Included components:	
Hardware kit – top-mount	1130570
Cut-out template	1130821-7

## Installation Notes

Install this product according to the installation guide.

Allow 3/4" (19 mm) clearance beyond the back of the bowl for the wood cutting board (optional accessory).



## Product Diagram