

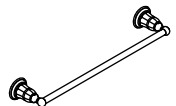
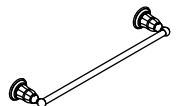
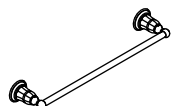

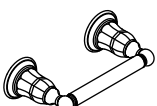

**Features**




- Metal construction
- Includes installation hardware
- Complements the Kelston Suite

**Colors/Finishes**

- CP: Polished Chrome
- Other: Refer to Price Book for additional colors/finishes

**Specified Model**

Model/Description	
K-13500 18" (457 mm) towel bar <input type="checkbox"/> CP <input type="checkbox"/> Other _____	
K-13501 24" (610 mm) towel bar <input type="checkbox"/> CP <input type="checkbox"/> Other _____	
K-13502 30" (762 mm) towel bar <input type="checkbox"/> CP <input type="checkbox"/> Other _____	
K-13503 24" (610 mm) double towel bar <input type="checkbox"/> CP <input type="checkbox"/> Other _____	
K-13504 Tissue holder <input type="checkbox"/> CP <input type="checkbox"/> Other _____	
K-13505 Robe hook <input type="checkbox"/> CP <input type="checkbox"/> Other _____	

Model/Description	
K-13507 Towel ring <input type="checkbox"/> CP <input type="checkbox"/> Other _____	
K-13552 Knob, cabinet hardware <input type="checkbox"/> CP <input type="checkbox"/> Other _____	
K-13554 Pull, cabinet hardware <input type="checkbox"/> CP <input type="checkbox"/> Other _____	

**Product Specification**

The accessories shall be made of metal construction. Product shall include installation hardware. Product shall complement the Kelston Suite. Accessories shall be Kohler Model K-\_\_\_\_\_.

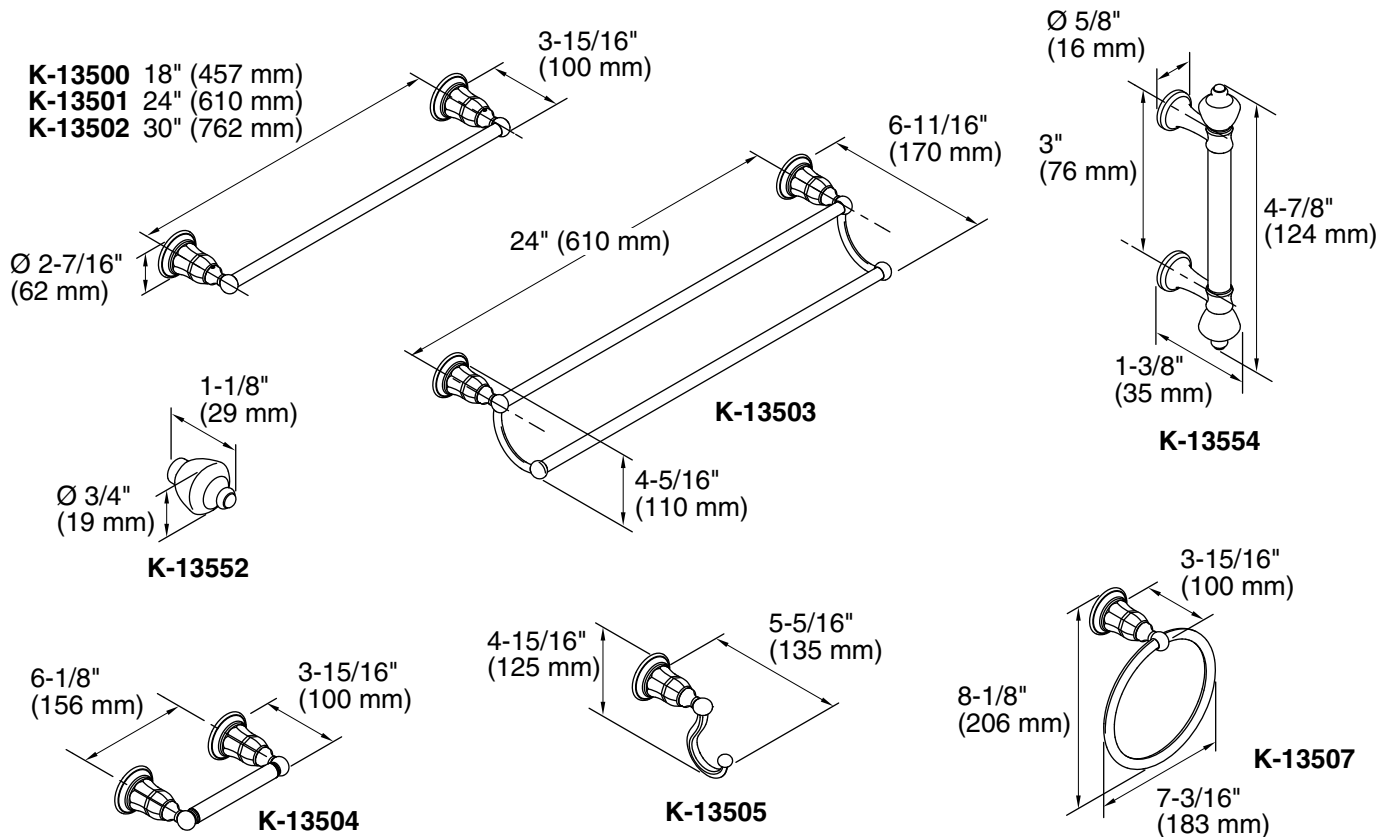
# KELSTON™

## Installation Notes

Install this product according to the installation guide.



**CAUTION: Risk of personal injury.** Do not install these products in any area where they are likely to be used inadvertently as a grab bar or support bar. These products are not designed or intended for use as a grab bar or support bar.



## Product Diagram