

KALLISTA®

Barbara Barry Two-Piece Toilet

FEATURES

- Vitreous china
- Elongated bowl
- Two-piece; chair-height seating
- 1.28 gpf (4.8 lpf)
- 2-1/8" (54 mm) glazed trapway
- Includes polished chrome plated brass trip lever

CODES/STANDARDS APPLICABLE

Specified model meets or exceeds the following:

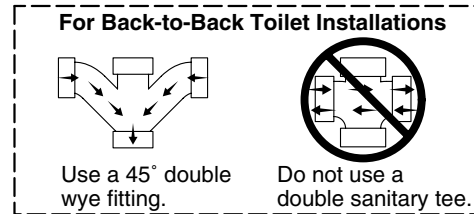
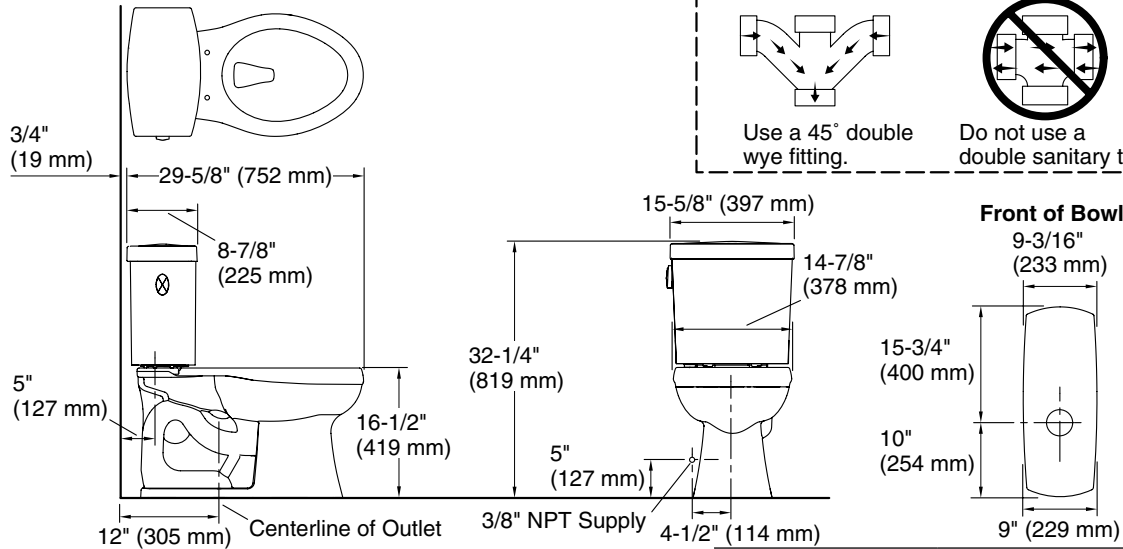
- ADA
- ICC/ANSI A117.1
- CSA B651
- OBC
- ASME A112.19.2/CSA B45.1
- EPA WaterSense®

P70331, P70332,
Combination P70330

ADA

CSA B651

OBC



INSTALLATION NOTES	
Will comply with the American Disabilities Act (ADA) when installed per the requirements of the Accessibility Guidelines, Section 604 Water Closets, of the Act. The Model Plumbing Codes require the installation of elongated open-front toilet seats in public bathrooms.	
Will comply with CSA B651 when installed per Clause 4.3.6 of the standard.	
Will comply with OBC when installed per Clause 3.8.3.8 and 3.8.3.9.	
For back-to-back toilet installations: Use only a 45° double wye fitting.	
The model is acceptable for left-hand accessible compartment installations only.	

PRODUCT INFORMATION	
Fixture:	
Configuration	Two-piece, elongated
Water per flush	1.28 gal (4.8 L)
Passageway	2-1/8" (54 mm)
Water area	11" (279 mm) x 8-3/4" (222 mm)
Water depth from rim	6" (152 mm)
Seat post hole centers	5-1/2" (140 mm)

SPECIFIED MODEL			
Model	Description	Finishes	
P70330-00	Barbara Barry 2-Piece Toilet	<input type="checkbox"/> 0 Stucco White	
P70331-00	Barbara Barry Toilet Bowl	<input type="checkbox"/> 0 Stucco White	
P70332-00	Barbara Barry Toilet Tank	<input type="checkbox"/> 0 Stucco White	
Recommended Accessories (Choose one)			
P70313-CP, AD, AG or BV	Contemporary Toilet Seat with Finished Brass, Slow-Close Hinges	<input type="checkbox"/> 0 Stucco White	<input type="checkbox"/> 96 Linen
P70334-CP, AD, AG, BL or BV	Premium Toilet Seat with Finished Brass, Slow-Close Hinges	<input type="checkbox"/> JV Java	<input type="checkbox"/> KZ Brunette
		<input type="checkbox"/> EM Ebonized Mahogany	
Optional Accessories			
P70333-00	Barbara Barry Trip Lever Finish Upgrade	<input type="checkbox"/> AD Nickel Silver	<input type="checkbox"/> AG Brushed Nickel
P70373-CB, CA, PW, KM, LL or TE	Per Se Decorative Trip Lever	<input type="checkbox"/> CP Polished Chrome	<input type="checkbox"/> AD Nickel Silver
		<input type="checkbox"/> SSL Sterling Silver	<input type="checkbox"/> 24K Polished Gold

We reserve the right to make revisions without notice in the design of products or in packaging unless this right has specifically been waived at the time the order is accepted.