

Features

- Bask® heated surface creates spa-like relaxation with soothing warmth on your back, shoulders, and neck.
- Three heat settings allow you to customize the surface temperature.
- 120 airjets release thousands of heated bubbles that surround and support the body in a warm massage.
- Variable-speed blower lets you adjust massage intensity to 18 levels.
- Heated BubbleMassage™ includes 60-minute automatic shutoff timer.
- Two separate electronic keypad controls for Heated BubbleMassage™ and Bask®.
- Hourglass shape adds style and elegance to your bathroom.
- Bottom surface manufactured with textured appearance.
- Automatic and manual purge cycles remove residual water from air channels after use to keep the system clean.
- Bask® heated surface creates spa-like relaxation with soothing warmth on your back, shoulders, and neck.

Material

- Acrylic.

Technology

- Heated BubbleMassage™ technology warms and humidifies air before it enters the bath.

Installation

- Reversible drain.

Recommended Products/Accessories

K-1234 Removable Apron
K-1446 Remote Installation Kit
K-1491 Bath/Whirlpool Pillow
K-1601 Bath/Whirlpool Footstop
K-7166-AF Bath Drain
K-24916 Wireless Music Kit
K-23726 Drain treatment
K-23732 Tub & shower cleaner



Codes/Standards

ASME A112.19.7/CSA B45.10
CSA B45.5/IAPMO Z124
ASTM E162
ASTM E662
UL 1795




**KOHLER® Hydrotherapy Components
Five-Year Limited Warranty
KOHLER® Plastic Baths and Receptors
Lifetime Limited Warranty**

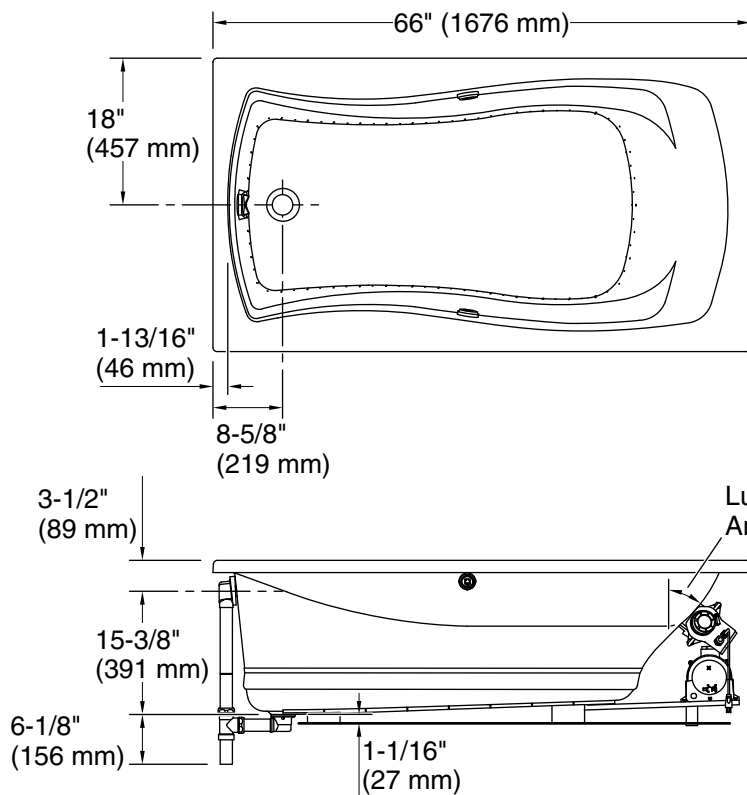
See website for detailed warranty information.

Available Colors/Finishes

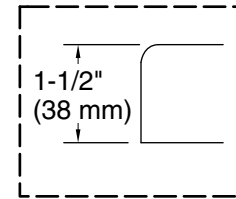
Color tiles intended for reference only.

| Color | Code | Description |
|-------|------|-------------|
|-------|------|-------------|

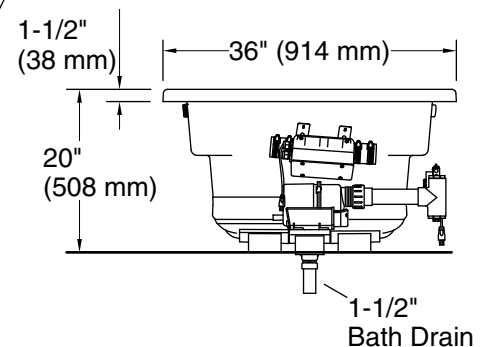
| | | |
|--------------------------------------------------------------------------------------|----|---------|
|  | 0 | White |
|  | 96 | Biscuit |
|  | NY | Dune |



No change in measurements if connected with drain illustrated. (K-7166AF)



Blower Motor Access
30" (762 mm) W x 15" (381 mm) H Min



Required Electrical Service

Two dedicated circuits required, protected with Class A Ground-Fault Circuit-Interrupter (GFCI). Outside North America, this device may be known as a Residual Current Device (RCD).

| | |
|----------------|--------------------|
| Blower, Heated | 120 V, 15 A, 60 Hz |
| Surface: | |
| Air bath: | 120 V, 15 A |

Technical Information

All product dimensions are nominal.

| | |
|------------------------------|-----------------------------------------------------------------------|
| Installation: | Drop-in |
| Drain location: | End |
| Basin area, bottom: | 47-1/8" x 19-11/16" (1196 mm x 500 mm) |
| Basin area, top: | 61-7/16" x 26" (1561 mm x 660 mm) |
| Weight: | 112 lbs (50.8 kg) |
| Minimum floor load: | 56 lbs/ft ² (273.4 kg/m ²) |
| Water depth: | 13-11/16" (347 mm) |
| Water capacity: | 67 gal (253.6 L) |
| Cutout: | Drop-in, 64" x 34" (1626 mm x 864 mm) |
| Electrical component rating: | Blower: 120 V, 10 A, 60 Hz Heated Surface: 120 V, 0.5 A, 60 Hz, 65 |

Notes

Measure your actual product for rough-in details. Install this product according to the installation instructions.

The hot water supply should be 70% of the capacity of the bath or greater. Installations will vary.

Remote blower installation kit K-1446 is available for relocating the blower. Provide access for servicing the blower.

Do not relocate or alter the PVC tee or coiled flexible tubing connected to the blower. Follow the blower relocation instructions exactly.