

Features

- Freestanding design creates a striking focal point in your bathing area.
- Oval-shaped basin offers a graceful and spacious bathing experience.
- Center toe-tap drain.
- Sloped lumbar support on both ends.
- Built-in integral overflow.
- 4.5" drain-to-floor clearance for above-floor drain installation.

Material

- Acrylic.

Installation

- Freestanding.
- Above-floor drain (AFD) rough-in.
- Concealed adjustable legs make leveling during installation easy.

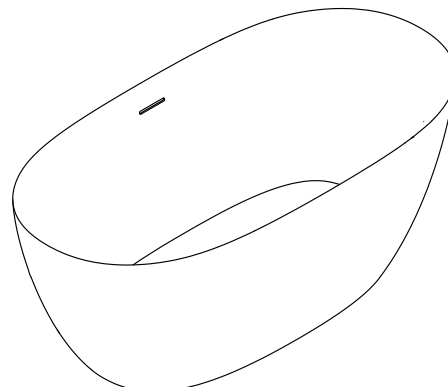
Included Components

Additional Components:

1392236-0

1392236-0 White Drain

White drain



Codes/Standards

CSA B45.5/IAPMO Z124

ASTM E162

ASTM E662


**Warranty – Bathing Fixtures (and)
Kitchen and Utility Sinks Made of Solid
Vikrell® Material**

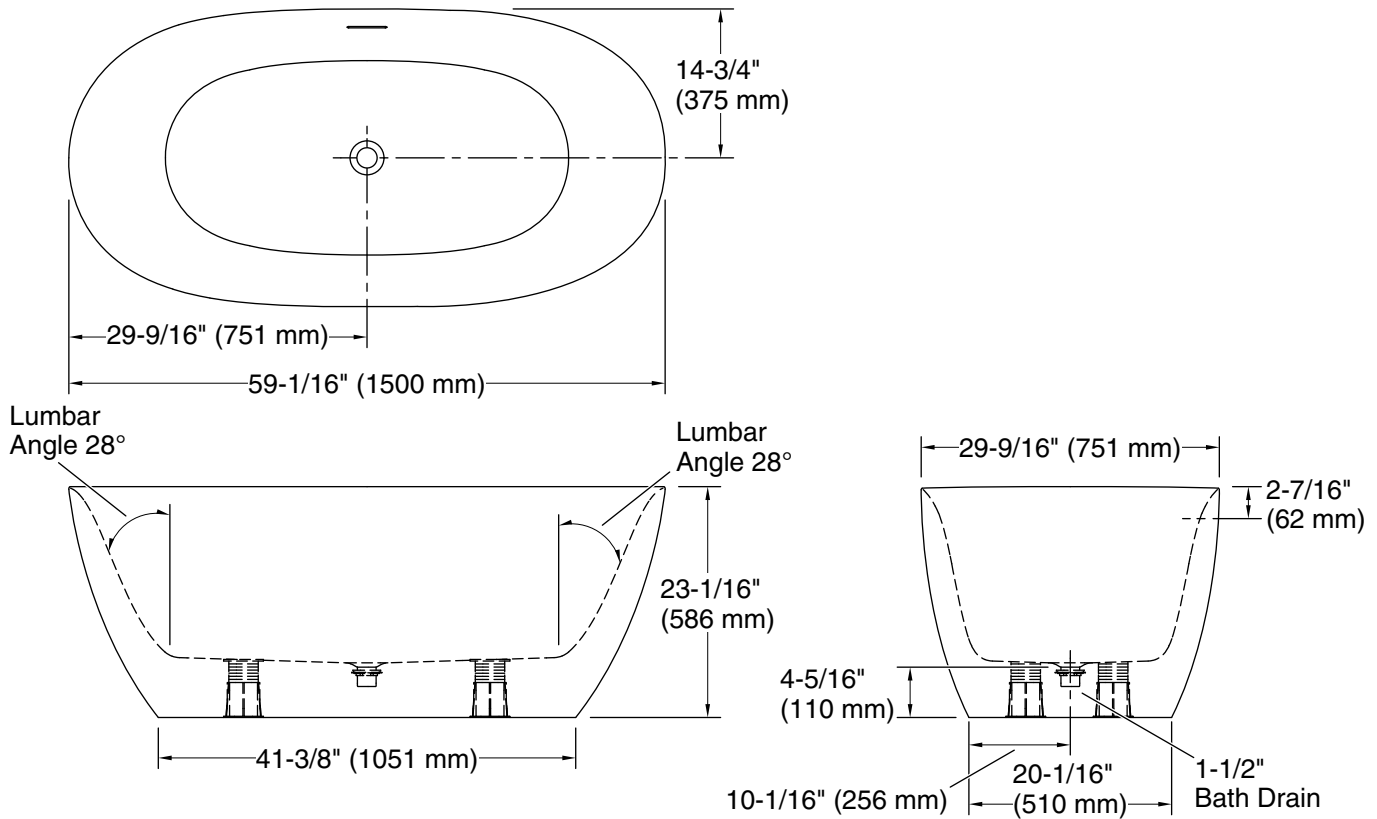
See website for detailed warranty information.

Available Colors/Finishes

Color tiles intended for reference only.

Color Code Description

	0	White
--	---	-------



Technical Information

All product dimensions are nominal.

Installation:	Freestanding
Drain location:	Center
Basin area, bottom:	37-1/8" x 15-5/16" (944 mm x 389 mm)
Basin area, top:	59-1/16" x 29-1/2" (1500 mm x 750 mm)
Water depth:	14-11/16" (373 mm)
Water capacity:	46.87 gal (177.4 L)

Notes

Install this product according to the installation instructions.

Measure your actual product for roughing-in details.

The hot water supply should be 70% of the capacity of the bath or greater. Installations will vary.

Do not support the load weight of the bath by the rim.