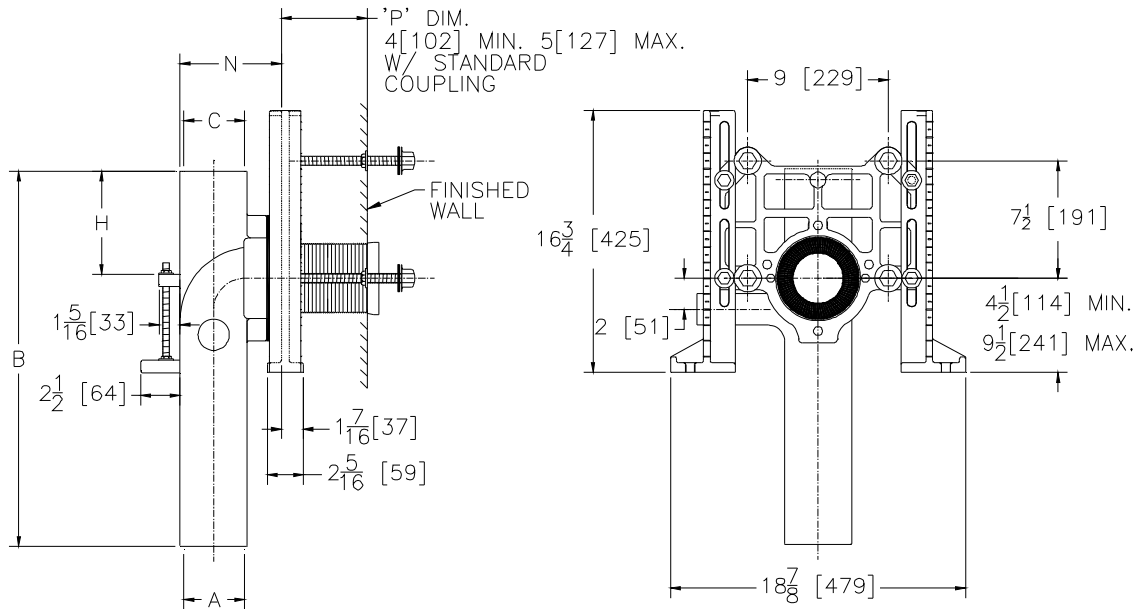




Z1208

VERTICAL SIPHON JET WATER CLOSET SUPPORT SYSTEM

Dimensional Data (inches and [mm]) are Subject to Manufacturing Tolerances and Change Without Notice



Note:

1. Min. 'P' Dim. Obtainable=2 [51]
2. Feet bolted to floor using min. 1/2 [13] dia. bolts and back slots on carrier feet.
3. Back anchor foot required for secure installation.

Product No.	Dimensions In Inches					Approx. Wt.Lbs. [kg]
	A	B	C	H	N	
Z1208-H42	4 [102]	14-3/4 [375]	2 [51]	4-3/8 [111]	6-1/4 [159]	60 [27]
Z1208-H44		15-1/4 [387]	4 [102]	4-7/8 [124]	7-5/16 [186]	
Z1208-N32	3 [76]	18 [457]	2 [51]	6-1/4 [159]	4-3/4 [121]	
Z1208-N42	4 [102]			6-5/8 [168]	5-1/2 [140]	
Z1208-N44		4 [102]	24 [610]	4 [102]	6-1/2 [165]	

ENGINEERING SPECIFICATION: ZURN Z1208 () Vertical Siphon Jet Water Closet "Rigid System" with () size No-Hub or Hub and Spigot connections. Complete with Dura-Coated cast iron main fitting, separable faceplate rigidly mounted on fitting, universal floor mounted foot supports, corrosion resistant adjustable ABS coupling with integral test cap, fixture bolts, trim, and stud protectors. Rear anchor tie down, and bonded "Neo-Seal" gasket.

PRODUCT/DEFINITION

_____ Z1208-H42	4 [102]	Spigot,	2 [51]	Hub Vent
_____ Z1208-H44	4 [102]	Spigot,	4 [102]	Hub Vent
_____ Z1208-N32	3 [76]	No-Hub,	2 [51]	No-Hub Vent
_____ Z1208-N42	4 [102]	No-Hub,	2 [51]	No-Hub Vent
_____ Z1208-N44	4 [102]	No-Hub,	4 [102]	No-Hub Vent

PREFIXES

_____ Z	D.C.C.I. System with Zurn "ZZ" Adjustable Coupling *
_____ ZQ	D.C.C.I. System with N.P.T. Inlet, Non-Adjustable Coupling

SUFFIXES

_____ -A	Auxiliary Support Assembly (For P-Dim. greater than 18 [457])	_____ -T	Threaded Connection (Available on Restricted Basis Only)
_____ -B	Blowout Type Fixture Support	_____ -VP	Vandal Proof Trim
_____ -CC	Corrosion Resistant Cast Iron Coupling (6 [152] To 12 [305])	_____ -W	Adapter for Womens Urinal
_____ -CL	Coupling Length Greater than 12 [305] (Specify length Required)	_____ -X3	3 [76] Foot Extension Assembly
_____ -F	Floor Mount, Back Outlet Fixture Support	_____ -X4	4 [102] Foot Extension Assembly
_____ -G	Galvanized Cast Iron	_____ -29	Mechanical Test Cap Assembly
_____ -JJ	Two 2 [51] Auxiliary Inlets	_____ -45	Finishing Frame for Siphon Jet System (For Blowout System specify -45-B)
_____ -JL	2 [51] Left Hand Auxiliary Inlet	_____ -50	Flush Valve Supply Support for W.C.
_____ -JR	2 [51] Right Hand Auxiliary Inlet	_____ -61	"ZZ" Coupling Wrench
_____ -M	Auxiliary Foot Support (For P-Dim. 10 [254] to 18 [457])		

* Regularly furnished unless otherwise specified.