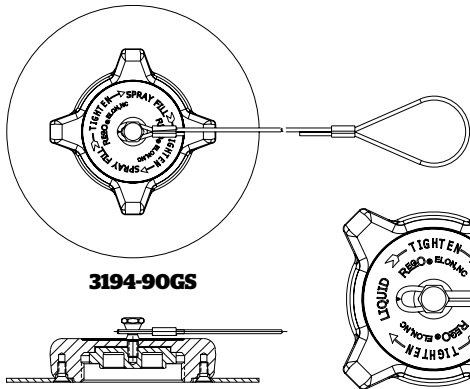


Caps and Reducers

Ordering Information

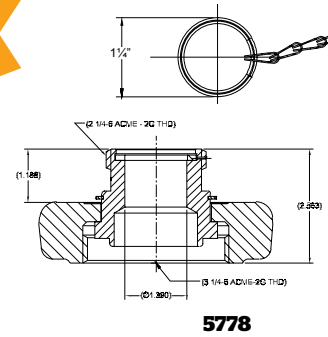
Cap With Chain & Ring		Cap Only Part Number	Material	Thread Connection		
Part Number	Ring Fits Pipe Size Up To:					
3144-91	3/4"	3144-9P	ABS	1 1/4" F. ACME		
3174-91		3174-9P		1 3/4" F. ACME		
3174-93		A8016-9P		Nylon		
A8016-93	1 1/4"	-	Brass	F. POL (CGA 510)		
1708C				1 1/4" F. ACME		
7141FP	3/4"	-	Steel	1 3/4" F. ACME		
3175P	1 1/4"			2 1/4" F. ACME		
A3175P	-		Brass	3 1/4" F. ACME		
3184-90				2 1/4" F. ACME		
3194-90				3 1/4" F. ACME		
-				5776*	2 1/4" F. ACME	
A3184-90	-		Steel	3 1/4" F. ACME		
A3194-90				A5776*	2 1/4" F. ACME	
-	1"	-	Brass	1 15/16" F. ACME		
907FP				3/4" ACME		
3194-90G				Adjustable Cable	Steel	2 1/4" M. ACME
3194-90GS						
3194-91L						
3194-91S						
3194-91V						
A3194-91L						
A3194-91S						
A3194-91V						
5778						

* Reduces to 1 1/4" M. ACME

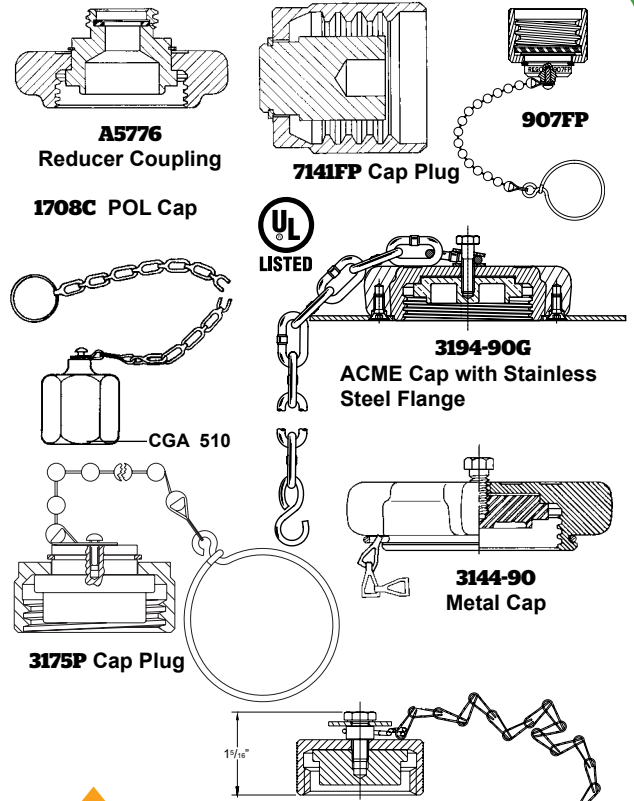


3194-91L

L=Liquid (Red)
S=Spray Fill (Yellow)
V=Vapor (Yellow)



5778



ACME Plugs

Specifically designed to withstand the everyday abuse given to hose end valves on delivery trucks and hose end couplings on risers in bulk plants, these rugged plugs protect the coupling tip as well as prevent the entrance of dirt, dust, snow and rain. They also prevent possible gas contamination from these same sources. The heavily ribbed outer surface permits hand-tight make-up.

These plugs are available in a choice of four sizes which may be used with liquid as well as vapor type couplings. As a convenience, the nylon plugs have a retaining chain and ring to prevent loss during a transfer operation.

All are suitable for LPG or anhydrous ammonia service except the brass 5765PR, which is for LP-Gas only.

Not intended for use as pressure closures.



C5763N

Ordering Information

Part Number	Material	A (M. ACME)	Chain & Ring Fits Pipe Size Up To:
C5763N	Nylon	1 1/4"	3/4"
C5765N		1 3/4"	1 1/4"
5765PR	Brass		Not Applicable
C5767N	Nylon	2 1/4"	1 1/4"
C5769N		3 1/4"	2"

