

KALLISTA®

Perfect 69" x 37" Bathtub

P50045

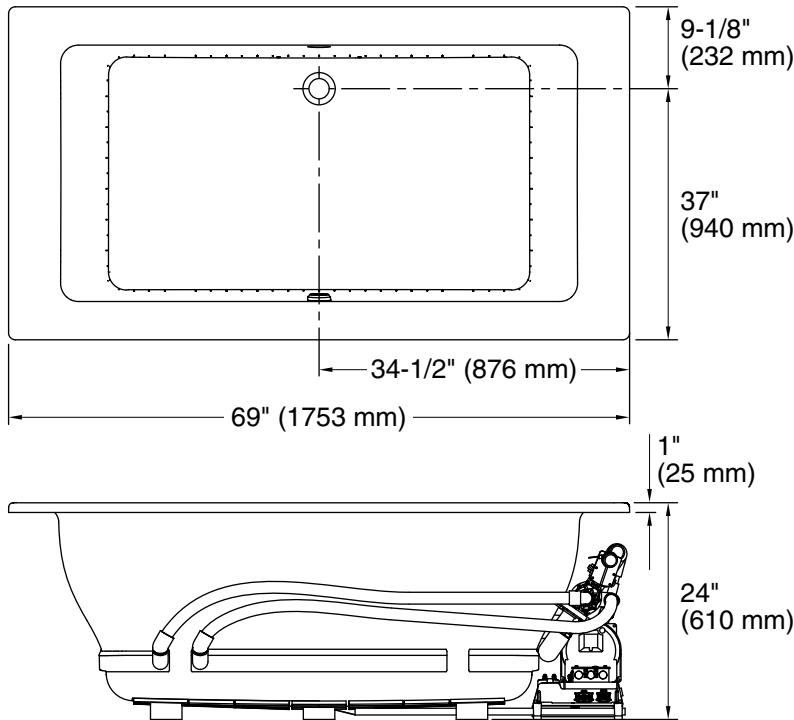
FEATURES

- Coordinates with multiple Kallista Suites
- Generous 69" (1753 mm) x 37" (940 mm) size comfortably accommodates two bathers
- Integrated lumbar allows for a deep, relaxing soak
- Drop-in or custom undermount version
- Durable acrylic construction
- Center side drain and overflow

CODES/STANDARDS APPLICABLE

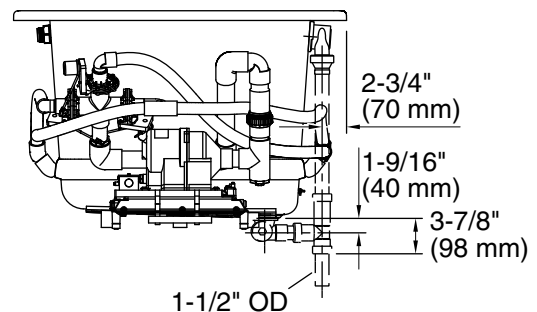
Specified model meets or exceeds the following:

- CSA B45.5/IAPMO Z124
- ASME A112.19.7/CSA B45.10 (-G5 Model)
- UL 1795 (-G5 Model)
- ASTM E162
- ASTM E662



ROUGHING-IN NOTES		
No change in measurements if connected with recommended drain illustrated.		
Minimum Access Panel:		
Blower/Control	34" (864 mm) W x 15" (381 mm) H Max	Required
Faucet Area		Recommended
Drop-in Cutout	68" (1727 mm) x 36" (914 mm)	
Floor support under bath must provide for a minimum of 42 lbs/square foot (205 kg/square meter) loading.		
Hot water supply should be 70% of capacity or greater. Installations will vary.		

REQUIRED ELECTRICAL SERVICE	
Dedicated circuit required, protected with Class A Ground-Fault Circuit-Interrupter (GFCI) or Residual Current Device (RCD):	
Blower Motor/Control	220-240 V, 15 A, 50/60 Hz



PRODUCT INFORMATION			
Fixture*:	Top Area	Inside Area	Weight
Bathing Well	57-3/8" (1457 mm) x 28-3/4" (730 mm)	46-3/4" (1187 mm) x 25-3/4" (654 mm)	95 lbs (43.1 kg) (-00) 160 lbs (72.6 kg) (-G5)
	Water Depth	Capacity	
To Overflow	17-7/8" (454 mm)	103 gal (390 L)	

PRODUCT INFORMATION (CONT.)			
Heater	Voltage	Frequency	Amperage
300 W	220-240	50/60 Hz	3A

SPECIFIED MODEL							
Model	Description	Finishes					
P50045-00	Perfect Bathtub	<input type="checkbox"/> 0 Stucco White					<input type="checkbox"/> 96 Linen
P50045-G5	Perfect Airbath	<input type="checkbox"/> 0 Stucco White					<input type="checkbox"/> 96 Linen
Recommended Accessories							
P21581-00	Kallista Cable Drain	<input type="checkbox"/> NA					
P21582-00	Kallista Cable Drain Trim Kit	<input type="checkbox"/> CP Polished Chrome	<input type="checkbox"/> AD Nickel Silver	<input type="checkbox"/> AG Brushed Nickel	<input type="checkbox"/> BZ Antique Bronze	<input type="checkbox"/> GN Gunmetal	<input type="checkbox"/> LB Bronze
Optional Accessories							
K-1179	Vinyl Tile-in Bead Installation Kit	<input type="checkbox"/> NA					
P50046-00	Undermount Kit	<input type="checkbox"/> NA					

We reserve the right to make revisions without notice in the design of products or in packaging unless this right has specifically been waived at the time the order is accepted.