

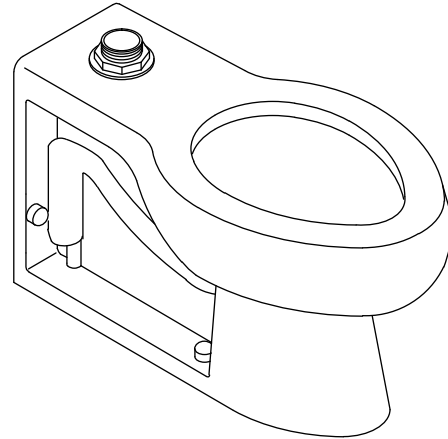
Features

- Vitreous china
- Elongated bowl
- Angle back and wall outlet
- Integral seat
- 1-1/2" top spud
- 4-1/2" (114 mm) rough-in
- 11" (279 mm) x 9-1/2" (241 mm) water area
- 2-3/8" (60 mm) passageway
- 1.6 gpf (6.0 lpf)
- 27-1/2" (699 mm) x 14-1/2" (368 mm) x 15" (381 mm)

ELONGATED TOILET BOWL K-4388

CSA B651

OBC



Codes/Standards Applicable

Specified model meets or exceeds the following:

- CSA B651
- OBC
- ASME A112.19.2/CSA B45.1

Colors/Finishes

- 0: White

Accessories

- CP: Polished Chrome

Specified Model

Model	Description	Colors/Finishes
K-4388	Elongated toilet bowl	<input type="checkbox"/> 0
Recommended Accessories		
K-10674	WAVE exposed toilet flushometer – 1.6 gpf (6.0 lpf)	<input type="checkbox"/> CP
K-10957	Touchless DC toilet flushometer – 1.6 gpf (6.0 lpf)	<input type="checkbox"/> CP
K-13516	Manual toilet flushometer – 1.6 gpf (6.0 lpf)	<input type="checkbox"/> CP

Product Specification

The elongated toilet bowl shall be made of vitreous china. Bowl shall be 27-1/2" (699 mm) in length, 14-1/2" (368 mm) in width, and 15" (381 mm) in height. Bowl shall be 4-1/2" (114 mm) rough-in with a 1-1/2" top spud. Bowl shall be 1.6 gpf (6.0 lpf). Bowl shall have a 2-3/8" (60 mm) passageway. Bowl shall have 11" (279 mm) by 9-1/2" (241 mm) water area. Bowl shall have angle back and wall outlet. Bowl shall have integral seat. Bowl shall be Kohler Model K-4388-0.

ANGLESEY™

Technical Information

Fixture:	
Configuration	top spud, elongated with integral seat
Water per flush	1.6 gpf (6.0 lpf)*
Spud size	1-1/2"
Passageway	2-3/8" (60 mm)
Water area	11" (279 mm) x 9-1/2" (241 mm)
Water depth from rim	5-1/4" (133 mm)
Minimum static pressure required	35 psi (241.3 kPa)
Maximum static pressure	80 psi (551.6 kPa)
Minimum flowing pressure required	25 psi (172.4 kPa)
Required supply minimum	25 gal/min (94.6 l/min)
* Based upon use of a 1.6 gal (6.0 L) flushometer.	

Included components:	
Spud	18357
Floor screws (pair)	21402
Bolt cap accessory pack	1013092

Installation Notes

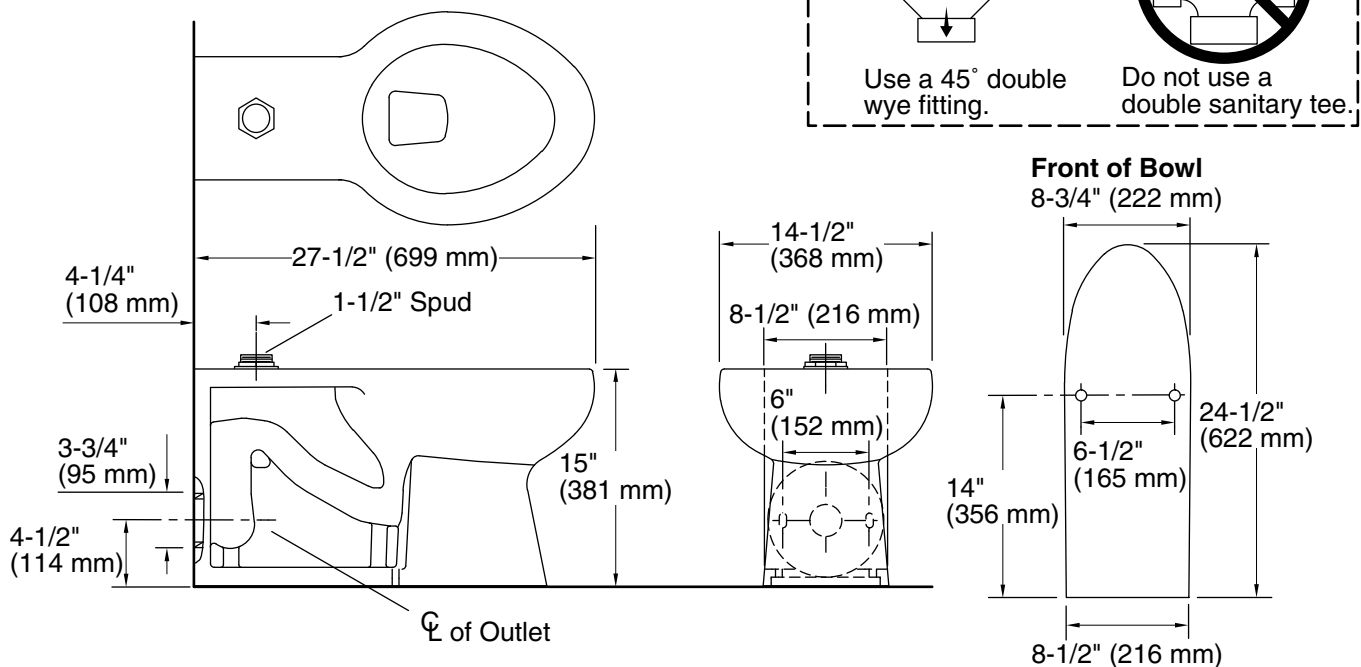
Install this product according to the installation guide.

Refer to manufacturer and local codes for flushometer requirements.

For back-to-back toilet installations: Use only a 45° double wye fitting.

Will comply with **CSA B651** when installed per Clause 4.3.6 of the standard.

Will comply with **OBC** Barrier Free requirements when installed per Clause 3.8.3.8 and 3.8.3.9.



Product Diagram