

# 80G2V

## PRODUCT SPECIFICATIONS

## TWO STAGE VARIABLE SPEED GAS FURNACE

FORM NO. 80G2V-100 (10/2018)



### CONFIGURATIONS

- Upflow/Horizontal only

### HEAT EXCHANGER DESIGN

- Crimped no-weld aluminized clam shell heat exchanger construction

### CABINET DESIGN

- Compact 33" height
- Standardized widths for easy coil fit

### AIR DELIVERY SYSTEM

- ECM™ Variable Speed Blower Motor
- Easily removable slide-out blower design

### CONTROLS

- Two stage gas valve
- Self diagnostics saves last 5 fault codes regardless of power interruption

### INSTALLATION FEATURES

- Left or right utility connections
- Removable floor base for bottom return air
- Zero step horizontal conversion

### VENTING

- Rotatable draft inducer for venting flexibility

### WARRANTY

10 year limited parts warranty / lifetime heat exchanger warranty available. See limited warranty document for details.

*Note: Not for sale in Canada*

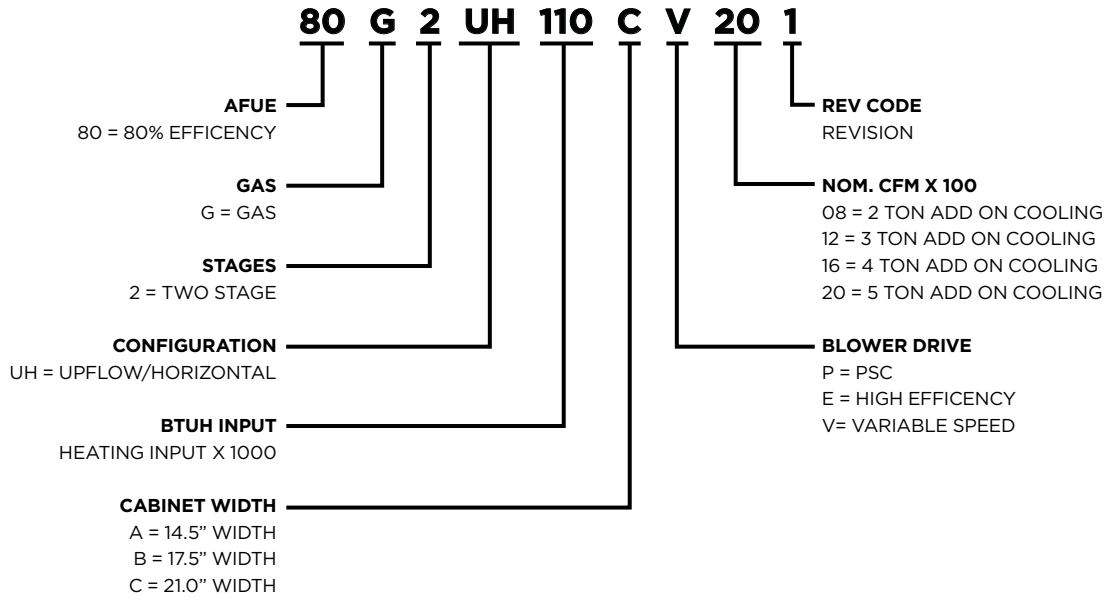
#### *California Only*

*If installed in South Coast Air Quality Management District (SCAQMD) only: This furnace does not meet the SCAQMD Rule 1111 NOx emission limit (14 ng/J), and thus is subject to a mitigation fee of up to \$450. This furnace is not eligible for the Clean Air Furnace Rebate Program: [www.CleanAirFurnaceRebate.com](http://www.CleanAirFurnaceRebate.com).*

*If installed in San Joaquin Valley Air Pollution Control District (SJVAPCD) only: This furnace does not meet the SJVAPCD Rule 4905 NOx emission limit (14 ng/J), and thus is subject to a mitigation fee of up to \$450.*



**MODEL NUMBER GUIDE**



**PHYSICAL AND ELECTRICAL DATA**

	Model	Input (Btuh)	Output* (Btuh)	AFUE (ICS)	Nom. Cooling Capacity	Gas Inlet (in.)	Volts/Hz/Phase	Min. Time Delay Breaker or Fuse	Nominal F.L.A.	Trans. (V.A.)	Approx. Shipping Weight (lbs.)
<b>UPFLOW / HORIZONTAL</b>	80G2UH070AV12	66,000	52,000	80.0%	3 tons	1/2	120-60-1	15	7.7	40	128
	80G2UH090BV16	88,000	70,000	80.0%	4 tons	1/2	120-60-1	20	12.8	40	154
	80G2UH110CV20	110,000	87,000	80.0%	5 tons	1/2	120-60-1	20	12.8	40	181

Note: For vent length and clearances to combustibles, please reference installation instructions.

\* Outputs shown are High Fire, 100% rate, Low Fire is 67% of shown output.

**BLOWER PERFORMANCE DATA BOTTOM INLET**

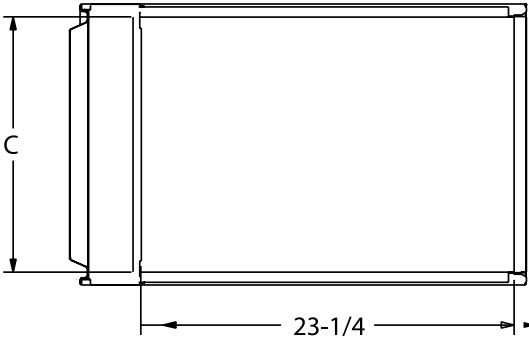
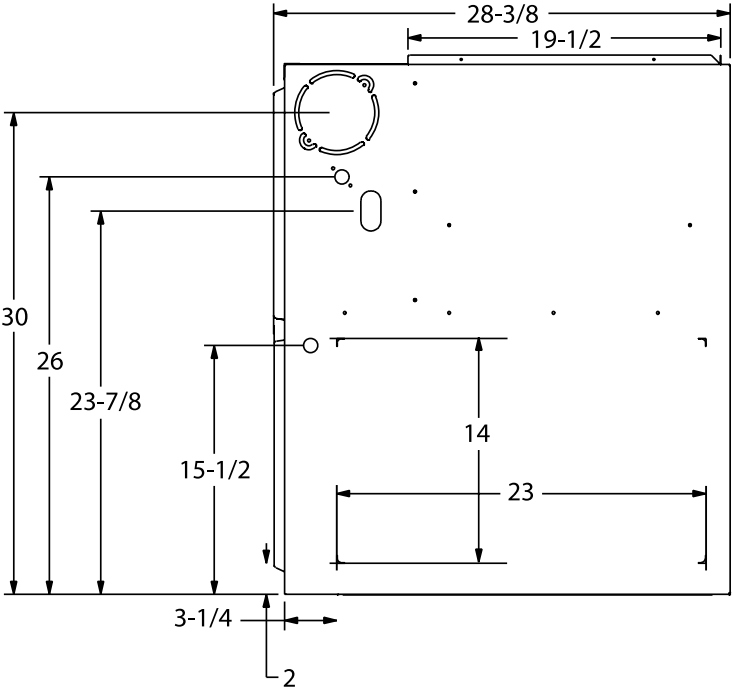
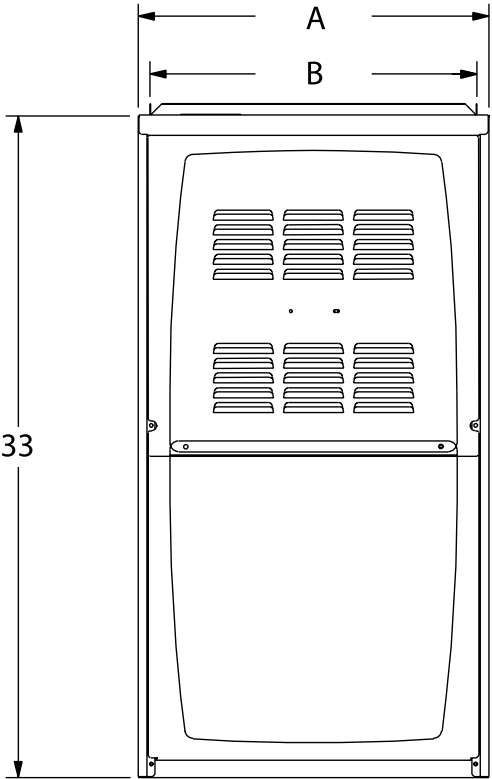
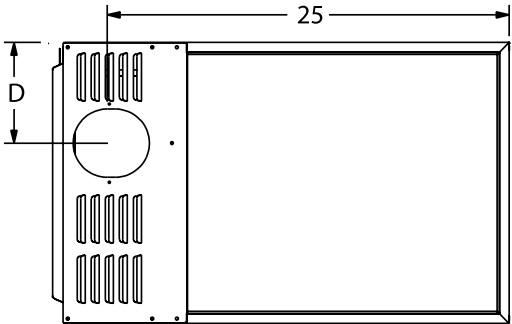
	Model	Motor Size (hp)	Blower Size	Temp Rise F°	Speed Adjust-ment	Heating CFM @ 0" - 0.5" w.c.				Cooling Stages	Speed Adjust-ment	Cooling CFM @ 0" - 0.8" w.c.			
						Setting "A"	Setting "B"	Setting "C"	Setting "D"			Setting "A"	Setting "B"	Setting "C"	Setting "D"
UPFLOW / HORIZONTAL	80G2UH070AV12	1/2 HP	10 x 8	High Fire 40 - 70	+	1129	1027	990	787	2nd Stage	+	1335	1215	1080	995
					Norm	1026	934	900	715		Norm	1225	1105	985	920
					-	923	841	810	644		-	1100	995	905	820
				Low Fire 25 - 55	+	1031	926	829	747	1st Stage	+	965	865	785	735
					Norm	937	842	754	679		Norm	885	795	735	690
					-	843	758	679	611		-	790	755	685	650
	80G2UH090BV16	1 HP	11½x 9	High Fire 40 - 70	+	1646	1529	1518	1187	2nd Stage	+	1755	1545	1335	1030
					Norm	1496	1390	1380	1079		Norm	1600	1405	1200	940
					-	1346	1251	1242	971		-	1435	1260	1060	790
				Low Fire 25 - 55	+	1539	1398	1136	1096	1st Stage	+	1210	1035	890	665
					Norm	1399	1271	1033	996		Norm	1090	960	810	600
					-	1259	1144	930	896		-	985	850	690	525
80G2UH110CV20	1 HP	11½x 10	High Fire 35 - 65	+	2175	1950	1935	1546	2nd Stage	+	2205	1905	1705	1535	
				Norm	1977	1773	1759	1405		Norm	2015	1710	1560	1400	
				-	1779	1596	1583	1265		-	1810	1555	1395	1260	
			Low Fire 25 - 55	+	1977	1783	1497	1431	1st Stage	+	1560	1355	1230	1065	
				Norm	1797	1621	1361	1301		Norm	1425	1205	1085	955	
				-	1617	1459	1225	1171		-	1265	1075	960	845	

**BLOWER PERFORMANCE DATA SIDE INLET**

	Model	Motor Size (hp)	Blower Size	Temp Rise F°	Speed Adjust-ment	Heating CFM @ 0" - 0.5" w.c.				Cooling Stages	Speed Adjust-ment	Cooling CFM @ 0" - 0.8" w.c.			
						Setting "A"	Setting "B"	Setting "C"	Setting "D"			Setting "A"	Setting "B"	Setting "C"	Setting "D"
UPFLOW / HORIZONTAL	80G2UH070AV12	1/2 HP	10 x 8	High Fire 40 - 70	+	1114	1018	979	778	2nd Stage	+	1345	1218	1097	1010
					Norm	1013	925	890	707		Norm	1213	1104	1003	926
					-	912	833	801	636		-	1106	1013	893	820
				Low Fire 25 - 55	+	1044	950	825	740	1st Stage	+	916	848	767	735
					Norm	949	864	750	673		Norm	859	795	726	689
					-	854	778	675	606		-	781	727	677	635
	80G2UH090BV16	1 HP	11½x 9	High Fire 40 - 70	+	1667	1533	1522	1183	2nd Stage	+	1672	1498	1296	1006
					Norm	1515	1394	1384	1075		Norm	1499	1346	1158	897
					-	1364	1255	1246	968		-	1406	1210	1049	795
				Low Fire 25 - 55	+	1539	1398	1136	1096	1st Stage	+	1174	1013	901	638
					Norm	1399	1271	1033	996		Norm	1040	930	778	571
					-	1259	1144	930	896		-	956	809	698	529
80G2UH110CV20	1 HP	11½x 10	High Fire 35 - 65	+	2094	1925	1880	1505	2nd Stage	+	2011	1857	1688	1506	
				Norm	1904	1750	1709	1368		Norm	1843	1687	1526	1375	
				-	1714	1575	1538	1231		-	1640	1503	1382	1235	
			Low Fire 25 - 55	+	1903	1730	1455	1375	1st Stage	+	1420	1286	1160	1019	
				Norm	1730	1573	1323	1250		Norm	1277	1154	1048	942	
				-	1557	1416	1191	1125		-	1116	1020	944	836	

**DIMENSIONS**

	Model	A	B	C	D
<b>UPFLOW / HORIZONTAL</b>	80G2UH070AV12	14-1/2	13-3/8	13	4-3/4
	80G2UH090BV16	17-1/2	16-3/8	16	6-1/4
	80G2UH110CV20	21	19-7/8	19-1/2	8



**ACCESSORY LIST**

CATALOG NUMBER	DESCRIPTION
External Filter Rack kits	
1.841018	1 pack (16 x 25)
1.841039	10 pack (16 x 25)
Natural To LP Kits	
11K48	All 2-Stage
11K47	High Altitude 2-Stage > 7500'
Return Air Base	
68W61	14.5", A Width
68W62	17.5", B Width
68W63	21.0", C Width
Night Service Kits	
68W81	Two-Stage
Horizontal Suspension Kit	
51W10	80% & 90% Kit

*Note: For vent length and clearances to combustibles, please reference installation instructions.*



1-800-448-5872

All specifications and illustrations subject to change without notice and without incurring obligations.