



Water Connects Us™

Model

SU-1009-A Universal High-Efficiency Urinal

Top Spud Vitreous China Wash Down Urinal

DESCRIPTION

Complete vitreous china top spud urinal.

Flush Cycle

Model SU-1009-A*

(0.125 to 0.5 gpf/0.5 to 1.9 Lpf)

Code: 1101009

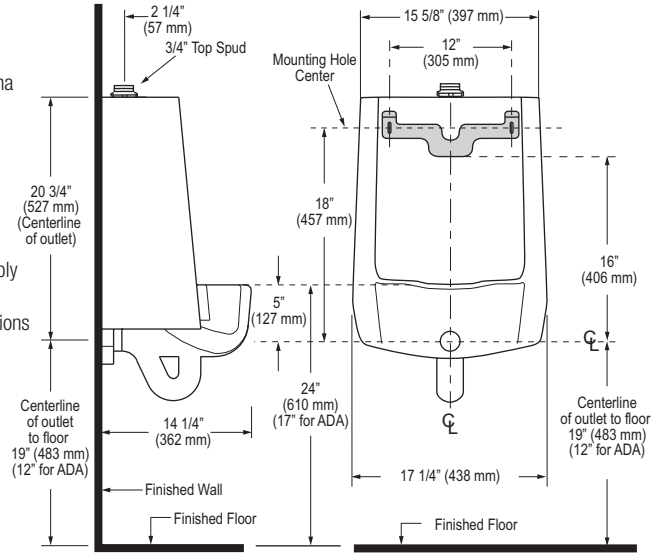
Flush volume is determined by the flushometer used with urinal.



SPECIFICATIONS

Urinal

- Wall hung top spud vitreous china
- Washdown flushing action
- 3/4" IPS top spud inlet
- 2" NPT outlet flange
- All mounting hardware included
- Integral flushing rim
- 100% factory flush tested
- Vandal resistant strainer assembly included
- Compliant to the applicable sections of ASME A112.19.2/CSA B45.1
- Carrier not included



NOTE: All vitreous china dimensions shown in these drawings are nominal. Dimensions can vary within the tolerances established in the governing ASME A112.19.2/CSA B45.1 standard. Please take this into consideration when planning rough-in and plumbing layouts.

Product Specification

Washdown urinal shall be made of vitreous china with a 3/4" top spud. Urinal shall have a 2" NPT outlet flange. Urinal shall include a removable strainer, inlet spud and hanger. Urinal shall be Sloan Model SU-1009-A.

*Please note that this model is fully interchangeable with Models SU-1000-A, SU-1002-A & SU-1005-A and matches all dimensional and performance parameters.



Meets the American Disabilities Guidelines and ANSI A117.1 requirements when installed at the proper height requirements for accessibility.

NOTE: Plumbing System Requirements

✓ Minimum **Flowing** Pressure: 25 PSI

✓ Maximum Static Pressure: 80 PSI

This space for Architect/Engineer approval	
Job Name	Date
Model Specified	Quantity
Variations Specified	
Customer/Wholesaler	
Contractor	
Architect	

The information contained in this document is subject to change without notice.



Sloan
10500 Seymour Avenue
Franklin Park, IL 60131
Phone: 1-800-982-5839
Fax: 1-800-447-8329
www.sloanvalve.com

© 2015 Sloan Valve Company
SU-1009 06-15