



Job Name: _____

Job Location: _____

Contractor: _____

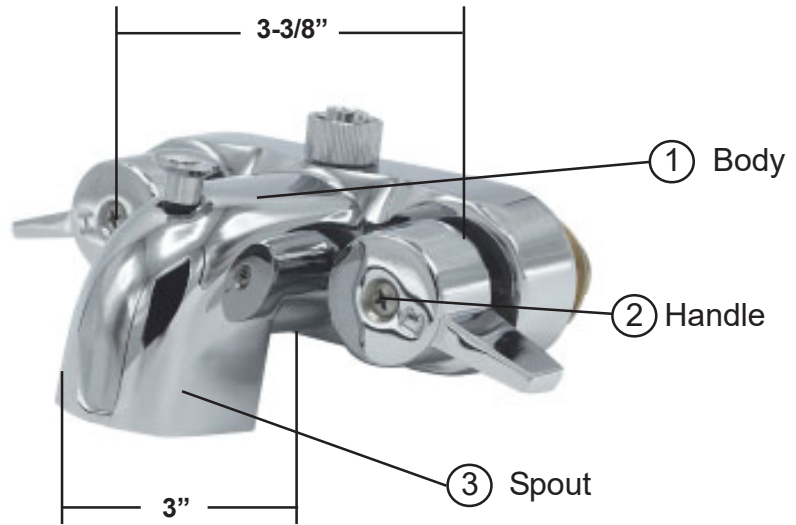
Engineer: _____

Approval: _____

Chrome-Plated Brass Bathcock for "Add-A-Shower"

Design Features:

- Heavy-Duty Brass Construction
- Die-Cast Spout
- Chrome-Plated
- Imported



Material Specifications		
No.	Part	Material
1	Body	CP Zinc Die Cast
2	Handle	CP Zinc Die Cast
3	Spout	CP Zinc Die Cast
	Lock Nuts	BP Zinc Die Cast
	Seals	Rubber
	Internal Plumbing	Heavy Duty Brass
	Diverter Stop	White Plastic

W-R#	Description	Weight	Min	Box
0614005	Bathcock	2.45 lbs.	1	24
A000217	Replacement Handles and Stems	.482 lbs.	1	12