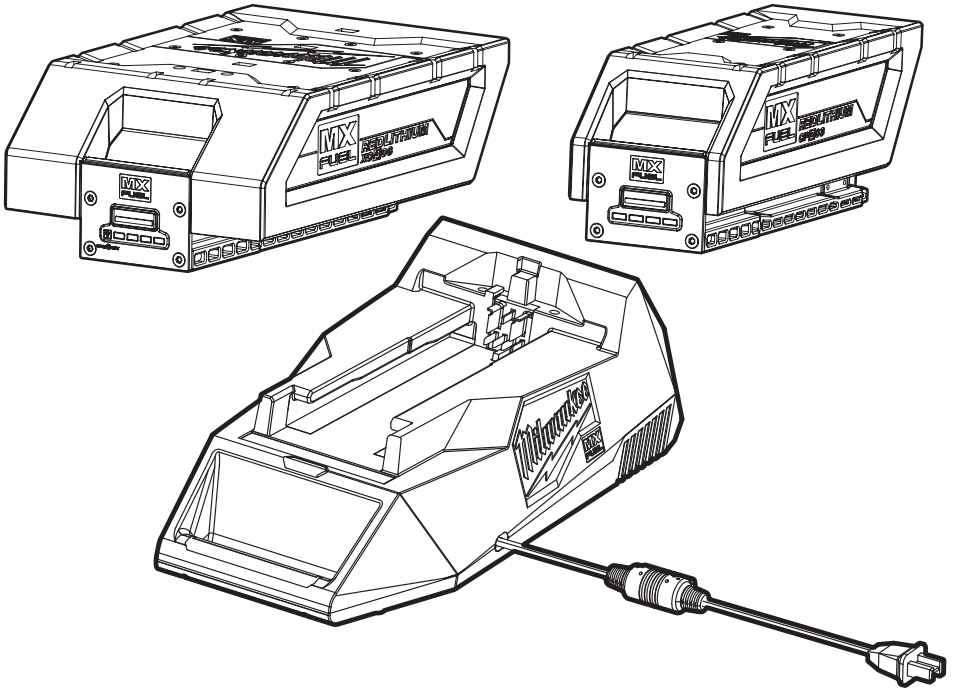




OPERATOR'S MANUAL
MANUEL de L'UTILISATEUR
MANUAL del OPERADOR



Cat. No. / No de cat.

MXFC, MXFCP203, MXFXC406

MX FUEL™ CHARGER
MX FUEL™ LI-ION BATTERY PACKS
CHARGEUR MX FUEL™
BLOCS DE BATTERIES LI-ION MX FUEL™
CARGADOR MX FUEL™
BATERÍAS DE IONES DE LITIO MX FUEL™

New batteries must be charged before first use. The battery is shipped in sleep mode.

Les batteries neuves doivent être chargées avant leur utilisation initiale. L'atterie est livré en mode « Sleep » (Veille).

Las baterías nuevas se deben cargar antes de usarlas por primera vez. La batería se envía en modo de suspensión.



WARNING To reduce the risk of injury, user must read and understand operator's manual.



AVERTISSEMENT Afin de réduire le risque de blessures, l'utilisateur doit lire et bien comprendre le manuel.

ADVERTENCIA Para reducir el riesgo de lesiones, el usuario debe leer y entender el manual.

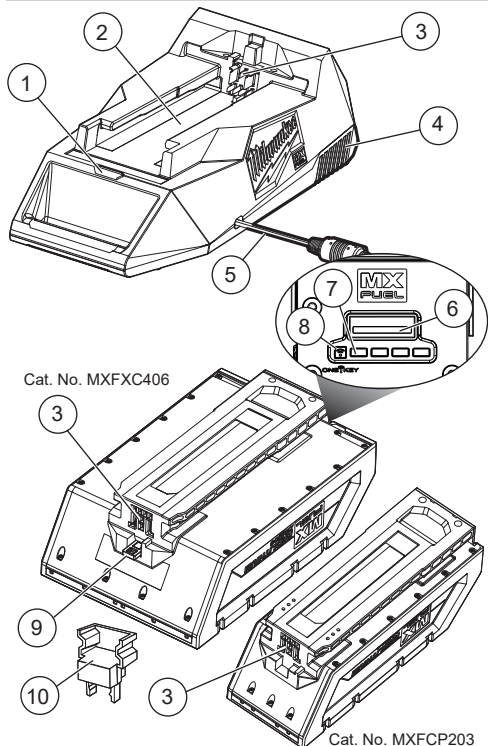
IMPORTANT SAFETY INSTRUCTIONS

AWARNING READ AND UNDERSTAND ALL INSTRUCTIONS. Failure to follow all instructions listed below, may result in electric shock, fire and/or serious personal injury.

SAVE THESE INSTRUCTIONS

- 1. SAVE THESE INSTRUCTIONS - THIS MANUAL CONTAINS IMPORTANT SAFETY AND OPERATING INSTRUCTIONS FOR THE MILWAUKEE LI-ION CHARGER CAT. NO. MXFC AND MILWAUKEE MX FUEL™ LI-ION BATTERIES.**
- 2. BEFORE USING THE BATTERY PACK AND CHARGER, READ THIS OPERATOR'S MANUAL, YOUR TOOL OPERATOR'S MANUAL, AND ALL LABELS ON THE BATTERY PACK, CHARGER AND TOOL.**
- 3. CAUTION TO REDUCE THE RISK OF INJURY, CHARGE MILWAUKEE MX FUEL™ RECHARGEABLE LI-ION BATTERIES ONLY IN MILWAUKEE MX FUEL™ LI-ION CHARGERS.** Other types of batteries may burst causing personal injury and damage. Do not wire a battery pack to a power supply plug or car cigarette lighter. Batteries will be permanently disabled or damaged.
- 4. USE MILWAUKEE LI-ION PACKS ONLY ON COMPATIBLE MILWAUKEE LI-ION TOOLS.** Battery pack and charger are not compatible with other systems. Use with other tools may result in a risk of fire, electric shock or personal injury.
- 5. AVOID DANGEROUS ENVIRONMENTS.** Do not charge battery pack in rain, snow, damp or wet locations. Do not use battery pack or charger in the presence of explosive atmospheres (gaseous fumes, dust or flammable materials) because sparks may be generated when inserting or removing battery pack, possibly causing fire.
- 6. CHARGE IN A WELL VENTILATED AREA.** Do not block charger vents. Keep them clear to allow proper ventilation. Do not allow smoking or open flames near a charging battery pack. Vented gases may explode.
- 7. MAINTAIN CHARGER CORD.** When unplugging charger, pull plug rather than cord to reduce the risk of damage to the electrical plug and cord. Never carry charger by its cord. Keep cord from heat, oil and sharp edges. Make sure cord will not be stepped on, tripped over or subjected to damage or stress. Do not use charger with damaged cord or plug. Have a damaged charger replaced immediately.
- 8. DO NOT USE AN EXTENSION CORD UNLESS IT IS ABSOLUTELY NECESSARY.** Using the wrong, damaged or improperly wired extension cord could result in the risk of fire and electrical shock. If an extension cord must be used, plug the charger into a properly wired 16 gauge or larger extension cord with pins that are the same number, size and shape as the pins on the charger. Make sure that the extension cord is in good electrical condition.
- 9. CHARGER IS RATED FOR 120 VOLT AC ONLY.** Charger must be plugged into an appropriate receptacle.
- 10. USE ONLY RECOMMENDED ATTACHMENTS.** Use of an attachment not recommended or sold by the battery charger or battery pack manufacturer may result in a risk of fire, electric shock or personal injury.
- 11. UNPLUG CHARGER** when not in use. Remove battery packs from unplugged chargers.
- 12. TO REDUCE THE RISK OF ELECTRIC SHOCK,** always unplug charger before cleaning or maintenance. Use a Ground Fault Circuit Interrupter (GFCI) to reduce shock hazards.
- 13. DO NOT BURN OR INCINERATE BATTERY PACKS.** Battery packs may explode, causing personal injury or damage. Toxic fumes and materials are created when battery packs are burned.
- 14. DO NOT CRUSH, DROP, OR DAMAGE** battery pack. Do not use a battery pack or charger that has received a sharp blow, been dropped, run over, or damaged in any way (e.g., pierced with a nail, hit with a hammer, stepped on).
- 15. DO NOT DISASSEMBLE.** Incorrect reassembly may result in the risk of electric shock, fire or exposure to battery chemicals. If it is damaged, take it to a MILWAUKEE service facility.
- 16. BATTERY CHEMICALS CAUSE SERIOUS BURNS.** Never allow contact with skin, eyes, or mouth. If a damaged battery pack leaks battery chemicals, use rubber or neoprene gloves to dispose of it. If skin is exposed to battery fluids, wash with soap and water and rinse with vinegar. If eyes are exposed to battery chemicals, immediately flush with water for 20 minutes and seek medical attention. Remove and dispose of contaminated clothing.
- 17. DO NOT SHORT CIRCUIT.** A short circuited battery pack may cause fire, personal injury, and product damage. A battery pack will short circuit if a metal object makes a connection between the positive and negative contacts on the battery pack. Do not place a battery pack near anything that may cause a short circuit, such as coins, keys or nails in your pocket.
- 18. DO NOT ALLOW FLUIDS TO FLOW INTO BATTERY PACK.** Corrosive or conductive fluids, such as seawater, certain industrial chemicals, and bleach or bleach containing products, etc., can cause a short circuit.
- 19. STORE YOUR BATTERY PACK AND CHARGER** in a cool, dry place. Do not store battery pack where temperatures may exceed 120°F (50°C) such as in direct sunlight, a vehicle or metal building during the summer.
- 20. ALWAYS SHIP LI-ION BATTERIES IN ACCORDANCE WITH THE CURRENT REGULATIONS GOVERNING THE CHOSEN MODE OF TRANSPORT (E.G. GROUND, AIR, SEA).** When in doubt, contact MILWAUKEE, the carrier or other trained Dangerous Goods professional to determine applicable regulations.

FUNCTIONAL DESCRIPTION



1. Charger light indicators:

- Continuous red: Charging
- Slow flashing green: Approaching full charge
- Continuous green: Charging is complete
- Fast flashing red: Battery and/or charger is too hot/cold – charging will begin when battery and or charger reach correct charging temperature.
- Slow flashing red: Battery charge is pending - Charging will begin momentarily.
- Flashing red/green: Damaged or faulty battery pack and/or charger.

- 2. Bay
- 3. Battery contacts
- 4. Vents
- 5. Cord
- 6. Fuel gauge button
- 7. Fuel gauge
- 8. ONE-KEY™
- 9. Shipping switch
- 10. Shipping cap

SYMBOLLOGY

- Volts
- Direct Current
- Alternating Current
- Double Insulated
- Properly Recycle Batteries
- Backfeed Protected
- Hertz
- Amps
- Safety Alert Symbol
- CAUTION** Risk of Electric Shock
- Read Operator's Manual
- UL Listing for Canada and U.S.

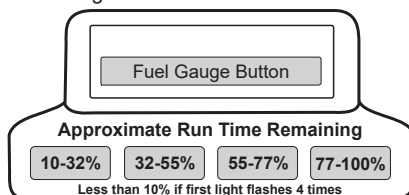
SPECIFICATIONS

Charger Cat. No.	MXFC
Input Volts	120 AC
Max Input Amps	3.9 AC
Output Volts	72 DC
Max Output Amps	4.5 DC
Recommended Ambient Charging Temperature	40°F to 105°F
Battery Pack Cat. No.	MXFCP203
Watt Hours	216
Battery Pack Cat. No.	MXFC406
Watt Hours	432
Shipping Watt Hours	216 x 2

MX FUEL™ L-ION BATTERY PACKS

Fuel Gauge

The battery packs are shipped in "sleep" mode and must be charged before first use.



Use the Fuel Gauge to determine the battery pack's remaining run time. Press the Fuel Gauge button to display the lights. The Fuel Gauge will light up for 2-3 seconds. When less than 10% of charge is left, 1 light on the fuel gauge will flash 4 times. When the battery reaches 0% charge, 1 light on the fuel gauge will flash 8 times. Charge the battery pack.

An alternating blinking pattern indicates that an error or overtemperature state was encountered. Allow the battery pack to cool and reinsert. If the pattern continues, contact a MILWAUKEE service facility. The Fuel Gauge will not work when the Shipping Switch is pulled out on the MXFXC406.

If the Fuel Gauge doesn't appear to be working, place the battery pack on the charger and charge as needed.

Immediately after using the battery pack, the Fuel Gauge may display a lower charge than it will if checked a few minutes later. The battery cells "re-charge" some of their charge after resting.

Under extreme circumstances, the internal temperature of the battery could become too high. If this happens, the fuel gauge lights will flash in an alternating pattern and the product will not run. Allow the battery to cool down.

Fuel Gauge Lights	Diagnosis	Solution
Lights 1 - 4 Solid	Remaining run time	Continue working
1 Light, flashing slowly	Less than 10% run time left	Prepare to charge pack
1 Light, flashing quickly	End of discharge	Charge pack
Lights 1-4, flashing quickly	Current draw too high	Release trigger. Once fuel gauge has stopped flashing, restart and reduce pressure
Lights 1&3 / 2&4, flashing alternately	Battery temperature too high	Release trigger and allow battery to cool
Lights 1&4 / 2&3, flashing alternately	Communication error	Remove the battery. Press the Fuel Gauge button to clear. Reinsert the battery. [†]

[†] If the problem persists, take the product, charger, and battery pack to a MILWAUKEE service facility.

Battery Pack Protection

To protect itself from damage and extend its life, the battery pack's intelligent circuit monitors current draw and temperature. In extremely high torque, binding, stalling, and short circuit situations, the battery pack will turn OFF the product if the current draw becomes too high. The fuel gauge will flash. Release the trigger, wait for the fuel gauge to stop flashing, and then restart.

Cold Weather Operation

MILWAUKEE Li-Ion battery packs are designed to operate in temperatures below freezing. When the battery pack is too cold, it may need to warm up before normal use. Put the battery on a product and use the product in a light application.

AWARNING To reduce the risk of fire, personal injury, and product damage due to a short circuit, never immerse your product, battery pack or charger in fluid or allow a fluid to flow inside them. Corrosive or conductive fluids, such as seawater, certain industrial chemicals, and bleach or bleach containing products, etc., can cause a short circuit.

Maintenance and Storage

Do not expose your battery pack or cordless products water or rain, or allow them to get wet. This could damage the product and battery pack. Do not use oil

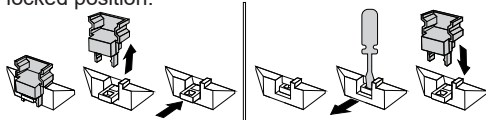
or solvents to clean or lubricate your battery pack. The plastic casing will become brittle and crack, causing a risk of injury.

Store battery packs at room temperature away from moisture. Do not store in damp locations where corrosion of terminals may occur. As with other battery pack types, permanent capacity loss can result if the pack is stored for long periods of time at high temperatures (over 120° F). MILWAUKEE Li-Ion battery packs maintain their charge during storage longer than other battery pack types. After about 6 months of storage, charge the pack as normal.

Transport

The regulations pertaining to the transport of Li-ion batteries are affected by whether the battery is transported in a personal vehicle or offered for shipment via a commercial carrier. The Personal transport of Li-Ion battery packs is allowed when done in accordance with these warnings and instructions. When shipping Li-Ion batteries with a commercial carrier, they are shipped under classification UN 3480 (battery only) or UN 3481 (batteries contained in or packed with equipment). The proper packaging, labeling, marking, and documentation requirements are generally dependent upon whether the particular batteries are rated greater than or less than 100 Wh. Often, Li-Ion batteries rated 100 Wh or less are "excepted" from certain shipping regulations. In the U.S., products shipped via ground transport may be "excepted" from certain hazardous material shipping regulations if they are under 300Wh.

To ensure the MXFXC406 battery is below 300Wh during transport, the shipping switch must be in the locked position:



UNLOCK

LOCK

1. Pull out the shipping switch tab.
2. Install the shipping cap provide with the battery at time of purchase, or secure a cable tie through the hole in the shipping switch tab.

Always ship Li-Ion batteries in accordance with the current regulations governing the chosen mode of transport (e.g. ground, air, sea). When in doubt, contact MILWAUKEE, the carrier or other trained Dangerous Goods professional to determine applicable regulations.

AWARNING To reduce the risk of injury or explosion, never burn or incinerate a battery pack even if it is damaged, dead or completely discharged. When burned, toxic fumes and materials are created.

Disposing of MILWAUKEE Li-Ion Battery Packs

MILWAUKEE Li-Ion battery packs are more environmentally friendly than some other types of battery packs (e.g., nickel-cadmium). Always dispose of your battery pack according to federal, state and local regulations. Contact a recycling agency in your area for recycling locations.

Even discharged battery packs contain some energy. Before disposing, use electrical tape to cover the terminals to prevent the battery pack from shorting, which could cause a fire or explosion.

RBRC Battery Recycling Seals

The RBRC™ Battery Recycling Seals (see "Symbolology") on your product's battery packs indicate that MILWAUKEE has arranged for the recycling of that battery pack with the Rechargeable Battery Recycling Corporation (RBRC). At the end of your battery pack's useful life, return the battery pack to a MILWAUKEE Branch Office/Service Center or the participating retailer nearest you. For more information, visit the RBRC web site at www.rbrc.org.

ONE-KEY™ (MXFXC406 only)

To learn more about the ONE-KEY™ functionality, go to milwaukeeetool.com/One-Key. To download the ONE-KEY™ app, visit the App Store or Google Play from your smart device.

ONE-KEY™ Indicator	
Solid Blue	Wireless mode is active and ready to be configured via the ONE-KEY™ app.
Blinking Blue	Tool is actively communicating with the ONE-KEY™ app.
Blinking Red	Tool is in security lockout and can be unlocked by the owner via the ONE-KEY™ app.

MX FUEL™ LI-ION CHARGER

⚠WARNING Charge only MILWAUKEE MX FUEL™ Li-Ion batteries in this MILWAUKEE Li-Ion charger. Other types of batteries may cause personal injury and damage.

When to Charge the Battery Pack with this MILWAUKEE Charger

Remove the battery pack from the product for charging when convenient for you and your job. MILWAUKEE batteries do not develop a "memory" when charged after only a partial discharge. It is not necessary to run down the battery pack before placing it on the charger.

- Use the Fuel Gauge to determine when to charge your MILWAUKEE Li-Ion battery pack.
- You can "Top-Off" your battery pack's charge before starting a big job or long day of use.
- The only time it is necessary to charge the MILWAUKEE Li-Ion battery pack is when the battery pack has reached the end of its charge. To signal the end of charge, power to the product will drop quickly, allowing you just enough power to finish the operation. Charge the battery pack as needed.

How to Charge the Battery Pack

Align the battery pack with the bay and slide the battery pack into the charger as far as possible. The red light will come on, either flashing quickly (battery pack or charger is too hot or cold), flashing slowly (communication between pack and charger) or continuous (pack is charging).

- A fully discharged battery pack with an internal temperature in the normal range will charge in about 45 to 90 minutes, depending on the battery pack and internal temperature of the charger.
- Heavily cycled batteries may take longer to charge completely.
- The fuel gauge lights are displayed as the pack is being charged, indicating how fully charged the pack is. The fuel gauge will turn off when charging is complete.

- After charging is complete, the continuous green light will come on.
- The charger will keep the battery pack fully charged if it is left on the charger. The light indicator will be same as normal charging.
- If the light indicator flashes red and green, check that the battery pack is fully seated into the bay. Remove the battery pack and reinsert. If the light continues to flash red and green, remove pack(s) and unplug charger for at least 2 minutes. After 2 minutes, plug charger back in and insert pack. If the problem persists, contact a MILWAUKEE service facility.
- If the light indicator does not come on, check that the battery pack is fully seated into the bay. Remove the battery pack and reinsert. If the light indicator still does not come on, remove pack(s) and unplug charger for at least 2 minutes. After 2 minutes, plug charger back in and insert pack. If after these attempts the light indicator still does not come on, contact a MILWAUKEE service facility.

Charging a Hot or Cold Battery Pack

The fast Red Flashing Indicator light on the charger indicates that the battery pack or charger temperature is outside the charging range. Once the battery pack or charger is within the acceptable range, normal charging will take place and the red light will be continuous. Hot or cold batteries may take longer to charge.

Li-Ion Charging Status

Battery Pack or Charger Temperature	Red Charger Indicator Light	Charging Status
Too Hot	Fast Flashing	Not charging
Normal Range	Continuous	Normal charging
Too Cold	Fast Flashing	Not charging

Powering the Charger with an Inverter or Generator

The charger will operate with most 120 V generators and inverters rated at 600 Watts or higher.

Maintenance and Storage

Store your charger in a cool, dry place. As a general practice, it is best to unplug battery chargers and remove batteries when not in use. No battery pack damage will occur, however, if the charger and battery pack are left plugged in.

Repairs

The charger has no serviceable parts.

⚠WARNING To reduce the risk of injury, always unplug the charger and remove the battery from the charger before performing any maintenance. Never disassemble the battery or charger. Contact a MILWAUKEE service facility for ALL repairs.

To reduce the risk of injury and damage, never immerse your battery or charger in liquid or allow a liquid to flow inside them.

Cleaning

Clean out dust and debris from charger vents and electrical contacts by blowing with compressed air. Use only mild soap and a damp cloth to clean the battery pack and charger, keeping away from all electrical contacts. Certain cleaning agents and solvents are harmful to plastics and other insulated parts. Some of these include gasoline, turpentine, lacquer thinner, paint thinner, chlorinated cleaning solvents, ammonia and household detergents containing ammonia. Never use flammable or combustible solvents around batteries, charger, or products.

SERVICE - UNITED STATES

1-800-SAWDUST (1.800.729.3878)

Monday-Friday, 7:00 AM - 6:30 PM CST

or visit www.milwaukeeetool.com

Contact Corporate After Sales Service Technical Support with technical, service/repair, or warranty questions.

Email: metproductsupport@milwaukeeetool.com

Become a Heavy Duty Club Member at www.milwaukeeetool.com to receive important notifications regarding your tool purchases.

SERVICE - CANADA

Milwaukee Tool (Canada) Ltd

1.800.268.4015

Monday-Friday, 7:00 AM - 4:30 PM CST

or visit www.milwaukeeetool.ca

LIMITED WARRANTY USA & CANADA

Every MILWAUKEE MX FUEL™ Battery Pack and Charger is warranted to the original purchaser only to be free from defects in material and workmanship. Subject to certain exceptions, MILWAUKEE will repair or replace a MX FUEL™ battery pack or charger which, after examination, is determined by MILWAUKEE to be defective in material or workmanship for a period of two (2) years after the date of purchase. Return of the MX FUEL™ battery pack or charger to a MILWAUKEE factory Service Center location or MILWAUKEE Authorized Service Station, freight prepaid and insured, is required. For the proper shipping procedure of battery packs, contact 1.800.SAWDUST (1.800.729.3878), or go to www.milwaukeeetool.com. A copy of the proof of purchase should be included with the return product. This warranty does not apply to damage that MILWAUKEE determines to be from repairs made or attempted by anyone other than MILWAUKEE authorized personnel, misuse, alterations, abuse, normal wear and tear, lack of maintenance, or accidents.

Warranty Registration is not necessary to obtain the applicable warranty on a MX FUEL™ battery pack or charger.

ACCEPTANCE OF THE EXCLUSIVE REPAIR AND REPLACEMENT REMEDIES DESCRIBED HEREIN IS A CONDITION OF THE CONTRACT FOR THE PURCHASE OF EVERY MILWAUKEE PRODUCT. IF YOU DO NOT AGREE TO THIS CONDITION, YOU SHOULD NOT PURCHASE THE PRODUCT. IN NO EVENT SHALL MILWAUKEE BE LIABLE FOR ANY INCIDENTAL, SPECIAL, CONSEQUENTIAL OR PUNITIVE DAMAGES, OR FOR ANY COSTS, ATTORNEY FEES, EXPENSES, LOSSES OR DELAYS ALLEGED TO BE AS A CONSEQUENCE OF ANY DAMAGE TO, FAILURE OF, OR DEFECT IN ANY PRODUCT INCLUDING, BUT NOT LIMITED TO, ANY CLAIMS FOR LOSS OF PROFITS. SOME STATES DO NOT ALLOW THE EXCLUSION OR LIMITATION OF INCIDENTAL OR CONSEQUENTIAL DAMAGES, SO THE ABOVE LIMITATION OR EXCLUSION MAY NOT APPLY TO YOU. THIS WARRANTY IS EXCLUSIVE AND IN LIEU OF ALL OTHER EXPRESS WARRANTIES, WRITTEN OR ORAL. TO THE EXTENT PERMITTED BY LAW, MILWAUKEE DISCLAIMS ANY IMPLIED WARRANTIES, INCLUDING WITHOUT LIMITATION ANY IMPLIED WARRANTY OF MERCHANTABILITY OR FITNESS FOR A PARTICULAR USE OR PURPOSE, TO THE EXTENT SUCH DISCLAIMER IS NOT PERMITTED BY LAW, SUCH IMPLIED WARRANTIES ARE LIMITED TO THE DURATION OF THE APPLICABLE EXPRESS WARRANTY AS DESCRIBED ABOVE. SOME STATES DO NOT ALLOW LIMITATIONS ON HOW LONG AN IMPLIED WARRANTY LASTS, SO THE ABOVE LIMITATION MAY NOT APPLY TO YOU, THIS WARRANTY GIVES YOU SPECIFIC LEGAL RIGHTS, AND YOU MAY ALSO HAVE OTHER RIGHTS WHICH VARY FROM STATE TO STATE. This warranty applies to product sold in the U.S.A. and Canada only. Please consult the 'Service Center Search' in the Parts & Service section of MILWAUKEE's website www.milwaukeeetool.com or call 1.800.SAWDUST (1.800.729.3878) to locate your nearest service facility for warranty and non-warranty service on a MX FUEL™ Battery Pack or Charger.

LIMITED WARRANTY - MEXICO, CENTRAL AMERICA & CARIBBEAN

TECHTRONIC INDUSTRIES' warranty is for 2 years since the original purchase date.

This warranty card covers any defect in material and workmanship on this Product.

To make this warranty valid, present this warranty card, sealed/stamped by the distributor or store where you purchased the product, to the Authorized Service Center (ASC). Or, if this card has not been sealed/stamped, present the original proof of purchase to the ASC.

Call 55 4160-3547 to find the nearest ASC, for service, parts, accessories or components.

Procedure to make this warranty valid

Take the product to the ASC, along with the warranty card sealed/stamped by the distributor or store where you purchased the product, and any faulty piece or component will be replaced without cost for you. We will cover all freight costs related with this warranty process.

Exceptions

This warranty is not valid in the following situations

- When the product is used in a different manner from the end-user guide or instruction manual.
- When the conditions of use are not normal.
- When the product was modified or repaired by people not authorized by TECHTRONIC INDUSTRIES.

Note: If cord set is damaged, it should be replaced by an Authorized Service Center to avoid electric risks.

SERVICE AND ATTENTION CENTER

Call to 55 4160-3547

IMPORTED AND COMMERCIALIZED BY

TECHTRONIC INDUSTRIES MEXICO, S.A. DE C.V.

Miguel de Cervantes Saavedra No.301 Piso 5, Torre Norte

11520 Colonia Ampliación Granada

Miguel Hidalgo, Ciudad de Mexico, Mexico

Model: _____

Date of Purchase: _____

Distributor or Store Stamp: _____

RÈGLES GÉNÉRALES DE SÉCURITÉ

AVERTISSEMENT LIRE ET COMPRENDRE TOUTES LES INSTRUCTIONS. Le non-respect des instructions ci-après peut entraîner des chocs électriques, des incendies et/ou des blessures graves.

CONSERVER CES INSTRUCTIONS

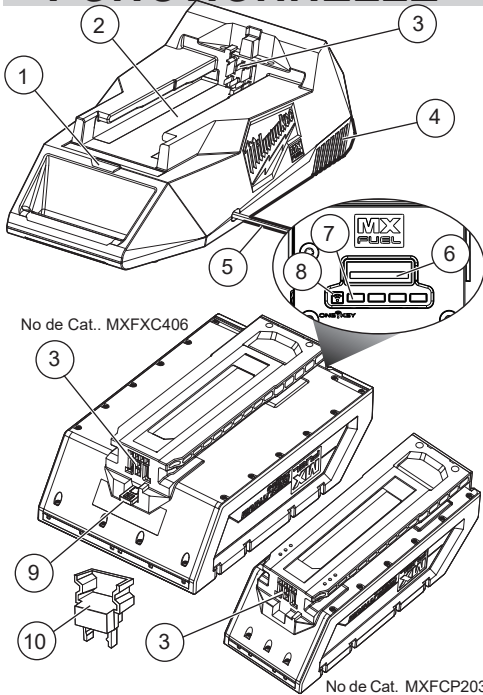
- GARDER CES INSTRUCTIONS - CE MANUEL COMPREND DES INSTRUCTIONS D'OPÉRATION ET DE SÉCURITÉ IMPORTANTES À PROPOS DU CHARGEUR DE PILES À L'ION DE LITHIUM DE MILWAUKEE N° CAT. MXFC ET LES PILES À L'ION DE LITHIUM MX FUEL™ DE MILWAUKEE.**
- AVANT D'UTILISER LE BLOC-PILES ET LE CHARGEUR, LIRE CE MANUEL D'UTILISATION, LE MANUEL D'UTILISATION DE VOTRE OUTIL ET TOUTES LES ÉTIQUETTES SUR LE BLOC-PILES, LE CHARGEUR ET L'OUTIL.**
- ATTENTION** AFIN DE MINIMISER LE RISQUE DE BLESSURES, CHARGER UNIQUEMENT LES BATTERIES À L'ION DE LITHIUM RECHARGEABLES MILWAUKEE MX FUEL™ AVEC LES CHARGEURS DE PILES À L'ION DE LITHIUM MILWAUKEE MX FUEL™. Les batteries d'autres types peuvent exploser et causer des dommages et blessures. Ne pas relier un bloc-piles à une prise secteur ou un allume-cigare. Les batteries seront constamment désactivées ou endommagées.

4. **UTILISER UNIQUEMENT LES BLOCS-PILES À L'ION DE LITHIUM DE MILWAUKEE QUI SONT COMPATIBLES AVEC LES OUTILS À L'ION DE LITHIUM DE MILWAUKEE.** Le bloc-piles et le chargeur ne sont pas compatibles avec d'autres types de systèmes. L'utilisation avec d'autres outils peut causer un risque d'incendie, de choc électrique ou de blessures.
5. **ÉVITEZ LES ENVIRONNEMENTS À RISQUES. N'UTILISEZ PAS LE CHARGEUR SOUS LA PLUIE,** la neige ou dans les endroits humides ou mouillés. Ne vous servez pas du chargeur ou de la batterie en milieu explosifs (émanations de gaz, poussière ou substances inflammables), car il pourrait se produire des étincelles, lors de l'insertion de la batterie dans le chargeur ou lors de son retrait, créant un risque d'incendie.
6. **RECHARGEZ DANS UN ENDROIT BIEN VENTILÉ.** Ne laissez pas les événements du chargeur se bloquer et assurez-vous qu'ils sont bien ventilés. N'effectuez pas une recharge de batterie à proximité d'une flamme vive ou fumante, afin d'éviter l'explosion des décharges de gaz.
7. **ENTRETIENEZ LE CORDON DU CHARGEUR.** Pour débrancher le chargeur, tirez sur la fiche plutôt que sur le cordon. Ceci minimisera les risques d'endommager la fiche ou le cordon. Ne transportez jamais le chargeur en le tenant par le cordon. Préservez le cordon de la chaleur, des surfaces grasses et des arêtes tranchantes. Assurez-vous que l'on ne marche ni ne trébuche sur le cordon et qu'il ne soit pas étiré ou mal utilisé. Ne vous servez pas du chargeur si le cordon ou la fiche sont en mauvais état. Faites immédiatement remplacer le cordon endommagé par une pièce de rechange identique. Voir "Maintenance".
8. **N'UTILISEZ PAS DE RALLONGE À MOINS QUE CE NE SOIT ABSOLUMENT INDISPENSABLE.** L'utilisation d'une rallonge inadaptée, endommagée ou d'un câblage de mauvais calibre peut constituer un risque d'incendie ou de choc électrique. Si vous devez utiliser une rallonge, branchez le chargeur dans un cordon de rallonge de calibre 16 ou plus, possédant des broches dont la quantité, la taille et la forme sont équivalentes à celles du chargeur. Assurez-vous que la rallonge est en bon état.
9. **LE CHARGEUR FONCTIONNE SUR 120 VOLTS C.A. SEULEMENT.** Il doit être branché sur une prise appropriée.
10. **N'UTILISEZ QUE LES ACCESSOIRES RECOMMANDÉS.** L'utilisation d'un accessoire qui n'est ni recommandé, ni vendu par le fabricant peut constituer un risque d'incendie, de choc électrique ou de blessure.
11. **DÉBRANCHEZ LE CHARGEUR** et enlevez la batterie lorsqu'il ne sert pas.
12. **POUR RÉDUIRE LE RISQUE DE CHOC ÉLECTRIQUE,** débranchez toujours le chargeur avant le nettoyage ou l'entretien et ne vous contentez pas uniquement de placer les commandes sur arrêt. Ne pas laisser l'eau s'infiltrer dans la fiche c.a./c.c. Utilisez un disjoncteur différentiel pour réduire les risques de choc électrique.
13. **NE PAS BRÛLER OU INCINÉRER LES BATTERIES.** Les batteries peuvent exploser et causer des blessures ou des dommages. Des gaz et des matériaux toxiques sont créés lorsque les batteries au lithium-ion sont brûlées.
14. **NE PAS ÉCRASER, LAISSER TOMBER OU ENDOMMAGER** la batterie. Ne pas utiliser une batterie ou un chargeur qui ont reçu choc important, qui sont tombés, ont été écrasés ou endommagés de quelle que façon que ce soit (par exemple percés par une pointe, heurtés par un marteau, piétinés).
15. **NE PAS DÉMONTÉ.** Un remontage incorrect peut causer des risques de chocs électriques, d'incendies ou d'exposition des produits chimiques de la batterie. Si elle est endommagée, l'apporter à un centre d'entretien MILWAUKEE.
16. **LE LIQUIDE DE LA BATTERIE PEUT CAUSER DES BRÛLURES CHIMIQUES GRAVES.** Ne permettez jamais que le liquide de la batterie ne vienne en contact avec la peau ou les yeux. Si du liquide s'écoule d'une batterie, mettez des gants de caoutchouc ou de néoprène pour disposer du liquide. Si la peau vient en contact avec le liquide, lavez-la à l'eau savonneuse et rincez-la ensuite au vinaigre. Enlevez les vêtements souillés et disposez-en. Si les yeux sont affectés, arrosez-les immédiatement avec de l'eau en abondance pendant 20 minutes et demandez l'aide d'un médecin.
17. **NE PAS COURT-CIRCUITER.** Un bloc-piles court-circuité pourra mener un incendie, des blessures physiques et endommager le produit. Un bloc-piles court-circuitera si un objet métallique établit une connexion entre les contacts positif et négatif du bloc-piles. Mettre le bloc-piles à l'écart de tout ce qui pourra causer un court-circuit, tel que des pièces de monnaie, des clés ou des clous dans votre poche.
18. **NE PAS LAISSER LES FLUIDES ENTRER DANS LE BLOC-PILES.** Les fluides corrosifs et conducteurs, tels que l'eau de mer, quelques produits chimiques industriels et solutions d'eau de Javel ou d'autres produits ayant de l'hypochlorite, etc., pourraient provoquer des courts-circuits.
19. **RANGÉZ LA BATTERIE ET LE CHARGEUR** dans un endroit sec et frais. Ne rangez pas la batterie dans un endroit où la température pourrait dépasser 50°C (120°F), comme par exemple un véhicule ou une structure métallique en été.
20. **TOUJOURS LIVRER LES PILES À L'ION DE LITHIUM SELON LES RÉGLEMENTATIONS ACTUELLES REGISSANT LE MODE DE TRANSPORT CHOISI (PAR EXEMPLE, TERRESTRE, AÉRIEN, MARITIME).** En cas de doute, veuillez contacter MILWAUKEE, l'entreprise de transport ou d'autres professionnels qualifiés dans le transport de marchandises dangereuses afin de déterminer quelles sont les réglementations correspondantes.

SPÉCIFICATIONS

Chargeur No de Cat.	MXFC
Tension d'entrée	120 CA
Ampérage d'entrée maximal.....	3,9 CA
Tension de sortie	72 CD
Ampérage de sortie maximal	4,5 CD
Température ambiante de charge recommandée	5°C à 40°C (40°F à 105°F)
No de Cat du bloc-piles.....	MXFCP203
Wattheures	216
No de Cat du bloc-piles.....	MXFXC406
Wattheures	432
Wattheures en transport	216 x 2

DESCRIPTION FONCTIONNELLE



No de Cat.. MXFXC406

No de Cat. MXFCP203

1. Témoin lumineux du chargeur :

Rouge continue : En cours de chargement

Vert clignotant doucement : En s'approchant de la charge complète

Verte continue : Chargement terminé

Rouge clignotant rapidement : La batterie et ou le chargeur est trop chaud/froid-charge démarre lorsque la batterie et le chargeur atteignent température de charge correcte

Rouge clignotant doucement : Charge de batterie en attente - La charge commencera momentanément

Rouge et verte clignotante : Bloc-piles endommagé ou défectueux et/ou chargeur

- | | |
|------------------------------|--|
| 2. Aire | 7. Indicateur de charge de la batterie |
| 3. Contacts de batterie | 8. ONE-KEY™ |
| 4. Bouches | 9. Commutateur de transport |
| 5. Cordon | 10. Capuchon de transport |
| 6. Bouton de jauge de charge | |

PICTOGRAPHIE

Volts

Courant continu

Courant alternatif

Double isolation

Recyclage correct des batteries

BFP Rétro-alimentation protégée

Hz Fréquence

A Ampères

Risque de choc électrique

ATTENTION Symbole d'alerte de sécurité

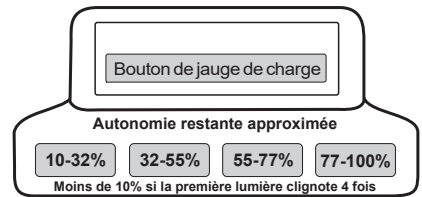
Lire le manuel d'utilisation

UL Listing Mark pour Canada et États-unis

LA BATTERIE AU LI-ION MX FUEL™

Indicateur de charge de la batterie

Les blocs-piles sont livrés en mode « Sleep » (Veille) et devront être chargés avant leur première utilisation.



Utiliser l'indicateur de charge de la batterie pour définir le temps de fonctionnement restant du bloc-piles. Appuyer sur le bouton de jauge de charge pour afficher les témoins. L'indicateur de jauge de charge s'allumera pendant 2 à 3 secondes. Lorsqu'il reste moins de 10% de charge, 1 témoin sur l'indicateur de charge clignotera 4 fois. Lorsque la batterie n'a plus de charge, 1 témoin sur l'indicateur de charge clignotera 8 fois. Charger le bloc-piles.

Un affichage clignotant signifiera qu'une erreur ou un surchauffage s'est produit. Laisser le bloc-piles refroidir et après, le réinsérer. Si un tel affichage persiste, contacter un centre de réparations MILWAUKEE. L'indicateur de charge ne fonctionnera pas lorsque le commutateur de transport est sorti de l'outil MXFXC406.

S'il paraît que l'indicateur de charge ne fonctionne pas, mettre le bloc-piles dans le chargeur et le charger au besoin.

Immédiatement après l'utilisation du bloc-piles, l'indicateur de charge pourra afficher une charge inférieure que d'habitude si vous en révisiez quelques minutes après. Les éléments de la batterie « récupéreront » un peu de leur charge après un peu de repos.

Dans des circonstances extrêmes, la température interne dans la pile pourra être très élevée. Si ceci se produit, l'indicateur de charge clignotera en alternance et l'outil ne fonctionnera pas. Laisser la batterie refroidir.

Témoins de l'indicateur	Diagnostic	Solution
Témoins 1 à 4 – allumés	Autonomie restante	Poursuivre le travail
1 témoin – clignote lentement	Moins de 10 % d'autonomie restante	Se préparer à charger le bloc de piles
1 témoin – clignote rapidement	Fin de la décharge	Charger le bloc de piles
Témoins 1 à 4 – clignotent rapidement	Appel de courant trop élevé	Relâcher la gâchette. Une fois que le jauge de carburant a cessé de clignoter, redémarrez et réduisez la pression.
Témoins 1 et 3 ou 2 et 4 – clignotent en alternance	Température de la pile trop élevée	Relâcher la gâchette et laisser la pile refroidir
Témoins 1 et 4 ou 2 et 3 – clignotent en alternance	Erreur de communication	Retirez la batterie. Appuyez sur le bouton jauge de carburant pour effacer. Réinsérez la batterie. [†]

† Si le problème persiste, prenez l'outil, le chargeur et le bloc-piles dans un centre de service MILWAUKEE.

Protection du bloc de piles

Pour protéger le bloc de piles et prolonger sa durée de vie, le circuit intelligent du bloc de piles surveille les appels de courant et la température. En cas de couple extrêmement élevé, de coincement, de calage et de courts-circuits, le bloc de piles mettra l'outil HORS TENSION si l'appel de courant est trop élevé. Tous les témoins de l'indicateur de charge de la pile clignoteront. Relâcher la gâchette, attendez que la jauge de carburant cesse de clignoter, puis redémarrez.

Fonctionnement par temps froid

Le bloc de batteries au Li-Ion de MILWAUKEE sont conçus pour fonctionner à des températures inférieures au point de congélation. Lorsque le bloc des batteries est très froid, mettre le bloc des batteries sur l'outil et utiliser celui-ci pour une utilisation légère.

⚠ AVERTISSEMENT Pour réduire le risque d'incendie, de blessures corporelles et de dommages causés par un court-circuit, ne jamais immerger l'outil, le bloc-piles ou le chargeur dans un liquide ou laisser couler un fluide à l'intérieur de celui-ci. Les fluides corrosifs ou conducteurs, tels que l'eau de mer, certains produits chimiques industriels, les produits de blanchiment ou de blanchiment, etc., peuvent provoquer un court-circuit.

Entretien et remisage de la batterie

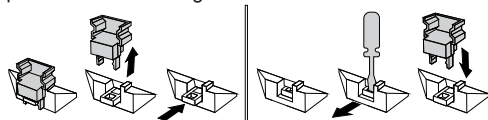
Ne pas exposer la batterie ou les outils sans fils à l'eau ou à la pluie ou les laisser se mouiller. Ceci endommage l'outil et la batterie. Ne pas utiliser d'huile ou de solvant pour nettoyer ou graisser la batterie. Le boîtier en plastique peut se fendre ou se casser et créer un risque de blessures.

Garder les blocs-piles à température ambiante, loin d'endroits humides. Ne pas entreposer auprès d'endroits humides où la corrosion des terminaux peut survenir. Comme pour les autres types de bloc-piles, la perte permanente de capacité pourra se produire si le bloc-piles est entreposé, à des températures élevées (plus que 120 °F), pendant des périodes excessives. Les blocs-piles à l'ion de lithium de MILWAUKEE, contrairement à d'autres types de blocs-piles, maintiennent leur charge pendant qu'ils sont entreposés pour des périodes plus longues. Après presque 6 mois d'entreposage, charger le bloc-piles comme d'habitude.

Transport

Les réglementations concernant le transport de piles à l'ion de lithium sont affectées par si la batterie est transportée dans un véhicule personnel ou bien, livrée par une entreprise de transport. Le transport personnel des blocs-piles à l'ion de lithium est permis s'il est fait selon ces instructions et avertissements. Lors du transport de batteries à l'ion de lithium par une entreprise de transport, elles sont livrées selon la classification UN 3480 (batterie seule) ou UN 3481 (batteries contenues ou emballées dans une pièce d'équipement). Les conditions d'emballage, étiquetage, marquage et documentation dépendent, en général, de si les batteries en question ont une classification supérieure ou inférieure à 100 Wh. Les batteries à l'ion de lithium dont la classification est de 100 Wh ou inférieure sont souvent « exemptes » de certaines réglementations de transport. Aux États-Unis, les produits livrés par transport terrestre pourront être « exemptes » de certaines réglementations de transport de marchandises dangereuses si leur puissance électrique est moins de 300 Wh.

Afin de garantir que la batterie MXFXC406 ait une puissance électrique inférieure à 300 Wh durant son transport, le commutateur de transport doit être en position de verrouillage :



Pour déverrouiller

Pour verrouiller

1. Faire sortir l'onglet du commutateur de transport.
 2. Installer le capuchon de transport fourni avec la batterie au moment de son achat ou bien, mettre un serre-câble et le faire passer à travers du trou qui se trouve dans l'onglet du commutateur de transport.
- Toujours livrer les piles à l'ion de lithium selon les réglementations actuelles régissant le mode de transport choisi (par exemple, terrestre, aérien, maritime). En cas de doute, veuillez contacter MILWAUKEE, l'entreprise de transport ou d'autres professionnels qualifiés dans le transport de marchandises dangereuses afin de déterminer quelles sont les réglementations correspondantes.

⚠ AVERTISSEMENT Afin de réduire le risque de blessure ou d'explosion, ne jamais brûler ou incinérer une batterie même si elle est endommagée, morte ou complètement déchargée. La combustion d'une batterie libère des fumées et des substances toxiques dans l'atmosphère.

Mise au rebut des batteries au Li-Ion

Les batteries au Li-Ion MILWAUKEE présentent moins de risques pour l'environnement que d'autres types de batterie (nickel-cadmium par ex.). Éliminer les batteries conformément aux règlements fédéraux/nationaux,

provinciaux/d'états et locaux. Contacter l'agence de recyclage locale pour l'adresse des centres de recyclage locaux. Les batteries déchargées contiennent du courant résiduel. Avant de mettre une batterie au rebut, couvrir les bornes de la batterie avec du ruban isolant afin d'empêcher un court-circuit pouvant causer un incendie ou une explosion.

Sceaux de recyclage pour pile RBRC

Les sceaux de recyclage pour piles RBRC™ (voir la « Pictographie ») sur la pile de votre outil, indiquent que MILWAUKEE a pris des dispositions avec Rechargeable Battery Recycling Corporation (RBRC) pour le recyclage de ce bloc de piles. Lorsque la vie utile de ce bloc de pile est épuisée, retournez-le à une succursale ou à un centre de service MILWAUKEE, ou au détaillant participant le plus près de chez vous. Pour obtenir plus d'informations, visitez le site Web RBRC au www.rbrc.org.

ONE-KEY™ (MXFXC406 seulement)

Pour en apprendre plus long sur la fonctionnalité le ONE-KEY™, visitez le milwaukeeool.com/One-Key. Pour télécharger l'application ONE-KEY™, visitez l'App Store d'Apple ou Google Play à l'aide de votre appareil intelligent.

Indicateur ONE-KEY™	
Bleu uni	Le mode sans fil est engagé et prêt pour le configurer à l'aide de l'appli ONE-KEY™.
Bleu clignotant	L'outil établit une communication active avec l'appli ONE-KEY™.
Rouge clignotant	L'outil a un blocage sécuritaire et ne pourra être débloqué que par le propriétaire à l'aide de l'appli ONE-KEY™.

CHARGEUR AU LI-ION MX FUEL™

⚠ AVERTISSEMENT Ce chargeur pour batteries à l'ion de lithium de MILWAUKEE a été conçu pour charger exclusivement des batteries à l'ion de lithium MX FUEL™ de MILWAUKEE. Les batteries d'autres types peuvent causer des dommages et des blessures.

Quand charger la batterie

Retirer la batterie de l'outil pour la charger quand cela est pratique pour l'utilisateur et le travail. Les batteries au Li-ion MILWAUKEE ne développent pas de « mémoire » lorsqu'elles sont chargées uniquement après une décharge partielle. Il n'est pas nécessaire de décharger la batterie avant de la mettre sur le chargeur.

- Utiliser l'indicateur de niveau d'énergie (sur l'outil ou la batterie) pour déterminer quand charger la batterie Li-ion MILWAUKEE.
- Il est possible de compléter la charge de la batterie avant de commencer un important travail ou une longue journée d'utilisation.
- La seule fois où il sera nécessaire de charger le bloc-piles à l'ion de lithium de MILWAUKEE est au moment où il est complètement déchargé. Pour annoncer la fin de la charge, la puissance de l'outil sera rapidement plus faible, ce qui vous laissera savoir que l'outil n'a que la charge suffisante pour finir la tâche en question. Charger le bloc-piles au besoin. Comment charger la batterie.

Comment charger la batterie

Aligner la batterie avec la baie et insérer complètement la batterie dans le chargeur. Le voyant rouge s'allume, en clignotant rapidement (bloc de batterie trop chaud ou froid), en clignotant doucement (le bloc-piles ou chargeur attend qu'un autre bloc finisse de charger) ou en continu (bloc en charge).

- Selon le de bloc-piles et température interne du chargeur, il faut 45 à 90 minutes pour charger une batterie complètement déchargée dont la température interne se situe dans la plage normale.
- Les batteries qui ont été assez mises sous tension pourront prendre alors plus de temps pour être complètement chargées.
- Les témoins de l'indicateur de charge s'allumeront pendant le chargement du bloc-piles pour en indiquer la progression. L'indicateur de charge s'éteint une fois le chargement terminé.
- Une fois terminé le chargement, le témoin vert s'allumera fixe.
- Le chargeur maintiendra le bloc-piles complètement chargé si on l'y laisse. L'indicateur de lumière sera le même que la charge normale.
- Si le témoin clignote en rouge et vert, vérifier que le bloc-piles soit bien mis dans le compartiment. Retirer le bloc-piles et le réinsérer. Si le témoin continue à clignoter en rouge et vert, retirer le ou les blocs-piles et débrancher le chargeur pendant, au moins, 2 minutes. Après 2 minutes, brancher le chargeur encore une fois et insérer le bloc-piles. Si le problème persiste, contacter un centre de service MILWAUKEE.
- Si le témoin ne s'allume pas, vérifier que le bloc-piles soit bien mis dans le compartiment. Retirer le bloc-piles et le réinsérer. Si le témoin ne s'allume toujours pas, retirer le ou les blocs-piles et débrancher le chargeur pendant, au moins, 2 minutes. Après 2 minutes, brancher le chargeur encore une fois et insérer le bloc-piles. Si, après toutes ces tentatives, le témoin ne s'allume toujours pas, contacter un centre de réparations MILWAUKEE.

Chargement d'une batterie chaude ou froide

Le témoin clignotant rouge rapide du chargeur indique que la température de la batterie ou chargeur est hors de la plage de charge. Une fois que la batterie ou chargeur est dans la plage acceptable, une charge normale commence et le témoin rouge s'allume en continu. Des batteries froides ou chaudes peuvent nécessiter plus de temps pour se recharger.

État de charge au Li-Ion

Température du bloc de piles	Témoin rouge de l'indicateur du chargeur	État de charge
Trop chaude	Clignotant	Pas de charge
Température correcte	Continu	Charge normale
Trop froide	Clignotant	Pas de charge

Alimentation du chargeur avec un invertisseur ou un générateur

Le chargeur fonctionnera avec la plupart de 120 V générateurs et onduleurs dont la classification est de 600 watts ou supérieure.

Entretien et remisage

Remiser le chargeur dans un lieu frais et sec. D'une manière générale, il est préférable de débrancher les chargeurs de batterie et de retirer les batteries quand elles ne sont pas utilisées. Il n'y a toutefois pas de risque de dommage si le chargeur et la batterie sont laissés branchés.

Réparations

Le chargeur ne comporte aucune pièce réparable.

⚠️ AVERTISSEMENT Pour réduire le risque de blessure, toujours débrancher le chargeur et retirer la batterie du chargeur avant d'effectuer un quelconque entretien. Ne jamais démonter la batterie ou le chargeur. Contacter un centre d'entretien MILWAUKEE pour TOUTES les réparations.

Pour réduire le risque de blessure ou de dommage, ne jamais plonger la batterie ou le chargeur dans un liquide et ne jamais laisser de l'eau s'y infiltrer.

Nettoyage

Nettoyer la poussière et les débris des événements et des contacts électriques du chargeur à l'air comprimé. N'utiliser que du savon doux et un chiffon humide pour nettoyer la batterie et le chargeur, en évitant les contacts électriques. Certains produits de nettoyage ou solvants sont nocifs pour les plastiques et les pièces isolées, notamment: essence, essence de térébenthine, diluant pour vernis, diluant pour peintures, solvant chloré, ammoniacque et détergents ménagers contenant de l'ammoniacque. Ne jamais utiliser de solvants inflammables ou combustibles à proximité des batteries, du chargeur ou des outils.

SERVICE - CANADA

Milwaukee Tool (Canada) Ltd

1.800.268.4015

Monday-Friday, 7:00 AM - 4:30 PM CST

www.milwaukeeetool.ca

GARANTIE LIMITÉE - AUX ÉTATS-UNIS ET AU CANADA

Chaque bloc-pile et chargeur MX FUEL™ de MILWAUKEE sont garantis à l'acheteur d'origine d'être exempts de vice du matériel et de fabrication. Sous réserve de certaines exceptions, MILWAUKEE réparera ou remplacera un bloc-pile ou chargeur MX FUEL™ qui, après examen par MILWAUKEE, s'est affectée d'un vice de matériel ou de main d'œuvre pendant une période de deux (2) ans après la date d'achat. Retourner le bloc-pile ou chargeur MX FUEL™ à un centre de réparations en usine MILWAUKEE ou à un poste d'entretien agréé MILWAUKEE, en port prépayé et assuré. Pour en savoir plus du processus d'expédition adéquat de blocs-piles, veuillez composer le 1.800.SAWDUST (1.800.729.3878) ou visiter le site www.milwaukeeetool.com. Une copie de la preuve d'achat doit être présentée lors du retour du produit. Cette garantie ne couvre pas les dommages que MILWAUKEE détermine d'être causés par des réparations ou des tentatives de réparation par quiconque autre que le personnel agréé par MILWAUKEE, des utilisations incorrectes, des altérations, des utilisations abusives, une usure normale, une carence d'entretien ou les accidents.

L'enregistrement de la garantie n'est pas nécessaire pour bénéficier de la garantie en vigueur sur le bloc-pile ou chargeur MX FUEL™. L'ACCEPTATION DES RECOURS EXCLUSIFS DE RÉPARATION ET DE REMPLACEMENT DÉCRITS PAR LA PRÉSENTE EST UNE CONDITION DU CONTRAT D'ACHAT DE TOUT PRODUIT MILWAUKEE. SI VOUS N'ACCEPTÉZ PAS CETTE CONDITION, VOUS NE DEVEZ PAS ACHETER LE PRODUIT. EN AUCUN CAS MILWAUKEE NE SAURAIT ÊTRE RESPONSABLE DE TOUT DOMMAGE ACCESSOIRE, SPÉCIAL OU INDIRECT, DE DOMMAGES-INTÉRÊTS PUNITIFS OU DE TOUTE DÉPENSE, D'HONORAIRES D'AVOCATS, DE FRAIS, DE PERTE OU DE DÉLAIS ACCESSOIRES À TOUT DOMMAGE, DÉFAILLANCE OU DÉFAUT DE TOUT PRODUIT, Y COMPRIS NOTAMMENT LES PERTES DE PROFIT. CERTAINS ÉTATS ET PROVINCES NE PERMETTANT L'EXCLUSION OU LA LIMITATION DES DOMMAGES DIRECTS OU INDIRECTS, LES RESTRICTIONS CI-DESSOUS PEUVENT NE PAS ÊTRE APPLICABLES. CETTE GARANTIE EST EXCLUSIVE ET REMPLACE TOUTE AUTRE GARANTIE EXPRESSE, QU'ELLE SOIT VERBALE OU ÉCRITE, DANS LA MESURE PERMISE PAR LA LOI, MILWAUKEE RENONCE À TOUTE GARANTIE IMPLICITE, Y COMPRIS, SANS S'Y LIMITER, TOUTE GARANTIE IMPLICITE DE QUALITÉ MARCHANDE OU D'ADAPTATION À UNE UTILISATION OU À UNE FIN PARTICULIÈRE, DANS LA MESURE OU UNE TELLE STIPULATION D'EXONÉRATION N'EST PAS PERMISE PAR LA LOI, LA DURÉE DE CES GARANTIES IMPLICITES EST LIMITÉE À LA PÉRIODE APPLICABLE DE LA GARANTIE EXPRESSE, TEL QUE CELA EST DÉCRIT PRÉCÉDEMMENT. CERTAINS ÉTATS ET PROVINCES NE PERMETTANT PAS DE LIMITATION DE DURÉE DES GARANTIES IMPLICITES, LES RESTRICTIONS CI-DESSUS PEUVENT NE PAS ÊTRE APPLICABLES. LA PRÉSENTE CONFÈRE

À L'UTILISATEUR DES DROITS LÉGAUX PARTICULIERS; IL BÉNÉFICIE ÉGALEMENT D'AUTRES DROITS QUI VARIENT D'UN ÉTAT OU PROVINCE À L'AUTRE.

Cette garantie s'applique aux produits vendus aux États-Unis et au Canada uniquement.

Veuillez consulter la rubrique « Centre SAV Milwaukee », dans la section « Pièces et service » du site web de MILWAUKEE, à l'adresse <http://www.milwaukeeetool.com> ou composer le 1.800.SAWDUST (1.800.729.3878) afin de trouver le centre de service de votre région le plus proche pour l'entretien, sous garantie ou non, sur un bloc-pile ou chargeur MX FUEL™.

GARANTIE LIMITÉE - MEXIQUE, AMÉRIQUE CENTRALE ET CARAIBES

TECHTRONIC INDUSTRIES' garantit le produit pendant 2 ans à partir de la date d'achat d'origine.

Le présent bon de garantie couvre tous les vices de matériel et de fabrication que peut afficher ce produit.

Pour assurer la validité de la présente garantie, veuillez présenter ce bon de garantie, estampillé du sceau du distributeur ou du magasin où le produit a été acheté, au centre de réparations agréé. Si le bon de garantie n'a pas été estampillé, veuillez fournir la preuve d'achat d'origine au centre de réparations agréé.

Pour un entretien des pièces, des accessoires ou des composants, composer 55 4160-3547 afin d'obtenir les coordonnées du centre de réparations agréé le plus près.

Procédure pour assurer la validité de la garantie

Présenter le produit au centre de réparations agréé, accompagné du bon de garantie estampillé du sceau du distributeur ou du magasin où le produit a été acheté. Toute pièce défectueuse ou tout composant défectueux sera remplacé(e) sans frais. Milwaukee assume tous les frais de transport liés à ce processus de garantie.

Exceptions

Cette garantie ne s'applique pas dans les situations suivantes :

- Si le produit a été utilisé pour un fin autre que celle indiquée dans le guide de l'utilisateur final ou le manuel d'instructions.
- Si les conditions d'utilisations ne sont pas habituelles.
- Si le produit a été modifié ou réparé par une personne non autorisée par TECHTRONIC INDUSTRIES.

Remarque : Si le cordon électrique est endommagé, il doit être remplacé par un centre de réparations agréé pour éviter les risques d'électrocution.

CENTRE DE RÉPARATIONS ET DE SERVICE

Composer le 55 4160-3547

IMPORTÉ ET COMMERCIALISÉ PAR

TECHTRONIC INDUSTRIES, MEXIQUE, S.A. DE C.V.

Miguel de Cervantes Saavedra No.301 Piso 5, Torre Norte

11520 Colonia Ampliación Granada

Miguel Hidalgo, Ciudad de Mexico, Mexico

Modèle : _____

Date d'achat : _____

Sceau du distributeur ou du magasin :

REGLAS GENERALES DE SEGURIDAD

⚠️ ADVERTENCIA LEA Y CONSERVE TODAS LAS INSTRUCCIONES. Si

no sigue todas las advertencias e instrucciones, se pueden provocar una descarga eléctrica, un incendio o lesiones graves.

GUARDE LAS INSTRUCCIONES

- 1. GUARDE ESTAS INSTRUCCIONES: ESTE MANUAL INCLUYE INSTRUCCIONES DE SEGURIDAD Y OPERATIVAS IMPORTANTES SOBRE EL CARGADOR LITIO-ION DE MILWAUKEE CAT. NO. MXFC Y LAS BATERÍAS DE LITIO-ION DE MILWAUKEE MX FUEL™.**

2. ANTES DE UTILIZAR LA BATERÍA Y EL CARGADOR, LEA ESTE MANUAL DEL OPERADOR, EL MANUAL DE HERRAMIENTA Y TODAS LAS ETIQUETAS DE LA BATERÍA, EL CARGADOR Y LA HERRAMIENTA.

3. PRECAUCIÓN PARA REDUCIR EL RIESGO DE LESIONES, CARGUE LAS BATERÍAS DE LITIO-ION RECARGABLES DE MILWAUKEE MX FUEL™ ÚNICAMENTE CON CARGADORES DE LI-ION DE MILWAUKEE MX FUEL™. Otros tipos de baterías pueden explotar, causando lesiones personales o daños. No conecte una batería a un enchufe de fuente de poder ni a un encendedor de cigarrillos para automóvil. Las baterías se dañarán o serán inservibles permanentemente.

4. UTILICE BATERÍAS DE LITIO-ION DE MILWAUKEE ÚNICAMENTE EN HERRAMIENTAS DE LITIO-ION DE MILWAUKEE QUE SEAN COMPATIBLES. Las baterías y el cargador no son compatibles con otros sistemas. El uso con otras herramientas puede provocar un riesgo de incendio, descarga eléctrica o lesiones personales.

5. EVITE AMBIENTES PELIGROSOS. NO USE EL CARGADOR CUANDO LLUEVA, nieve o hay condiciones de alta humedad. Tampoco use la batería ni el cargador en presencia de una atmósfera explosiva (gases, polvos o materiales inflamables), ya que se puede generar una chispa cuando se inserta o se retira una batería, y se podría crear un fuego.

6. CARGUE SOLO EN AREAS BIEN VENTILADAS. No obstruya las ventilas del cargador. Manténgalas limpias para permitir una ventilación adecuada. No permita que se fume o haya flamas cerca de la batería ya que los gases pueden explotar.

7. CUIDE EL CABLE DEL CARGADOR. Cuando desconecte el cargador, jale de la clavija y no del cable, con el objeto de reducir el daño al cable. Nunca tome el cargador del cable. Mantenga este lejos del calor, aceite y de orillas afiladas. Asegúrese que no pisen el cable ni que lo maltraten o lo hagan objeto de daños o tensión. No use un cargador que tenga el cable o la clavija dañado. Haga cambiar de inmediato un cable que esté dañado, por uno idéntico (vea "Mantenimiento").

8. NO USE UN CABLE DE EXTENSION A MENOS QUE SEA ABSOLUTAMENTE NECESARIO. El uso de un cable de extensión equivocado, dañado o incorrectamente cableado puede representar un riesgo de incendio o de descarga eléctrica. Si es necesario utilizar un cable de extensión, conecte el cargador a uno de calibre 16 o mayor, debidamente cableado y cuyos conductores sean iguales en número, tamaño y forma a los conductores en el cargador. Asegúrese de que el cable de extensión se halle en buenas condiciones eléctricas.

9. EL CARGADOR ESTA ESPECIFICADO PARA 120 VOLTS CA SOLAMENTE. Deberá conectarse a un toma corriente adecuado.

10. USE ÚNICAMENTE LOS ACCESORIOS RECOMENDADOS. El uso de un accesorio no recomendado ni vendido por el fabricante del cargador de batería puede representar un riesgo de incendio, de descarga eléctrica o de seguridad personal.

11. DESCONECTE EL CARGADOR y quite la batería luego de una carga.

12. PARA DISMINUIR EL RIESGO DE SUFRIR UNA DESCARGA ELECTRICA, desconecte siempre el cargador antes de limpiarlo o darle mantenimiento. La desactivación de la unidad por

medio de los mandos no disminuye este riesgo. No permita que entre agua en el enchufe de CA/CC. Utilice un interruptor de circuito accionado por corriente de pérdida a tierra (GFCI) para disminuir el peligro de sufrir una descarga eléctrica.

13. NO QUEME NI INCINERE LAS BATERÍAS. Las baterías pueden explotar, produciendo lesiones personales o daños.

14. NO APLASTE, DEJE CAER NI DAÑE LA BATERÍA. No use una batería o cargador que ha sufrido un fuerte golpe, se ha caído, ha sido atropellado o se ha dañado de cualquier manera (por ejemplo, ha sido atravesado por un clavo, golpeado por un martillo, pisado).

15. NO LA DESMONTE. Si se vuelve a montar de manera incorrecta se puede producir un riesgo de descarga eléctrica, incendio o exposición a los productos químicos de la batería. Si está dañada, lívela a un centro de reparaciones MILWAUKEE.

16. LOS FLUIDOS DE LAS BATERIAS CAUSAN SEÑERIAS QUEMADURAS. Nunca permita que estén en contacto con los ojos o la piel. Si se salen los fluidos de una batería dañada, use guantes de hule o de neopreno para desecharla. Si la piel queda expuesta a los fluidos de la batería, lávese con jabón y agua y tálese con vinagre. Quítese y deshágase de la ropa contaminada. Si los ojos se ven afectados, de inmediato láveselos con agua corriente durante 15 minutos y luego busque atención médica.

17. NO PROVOQUE UN CORTOCIRCUITO. Una batería con corto circuito podrá provocar un incendio, lesiones físicas y daños en el producto. Una batería sufrirá un corto circuito si un objeto metálico crea una conexión entre los contactos positivo y negativo en la batería. No coloque una batería cerca de algo que pueda provocar un cortocircuito, como monedas, llaves o clavos en su bolsillo.

18. NO PERMITE QUE ENTRE FLUIDOS EN LA BATERÍA. Los fluidos corrosivos o conductivos, como es el caso del agua de mar, ciertos químicos de nivel industrial, el cloro o productos con peróxido de hidrógeno, etc., podrán provocar un corto circuito.

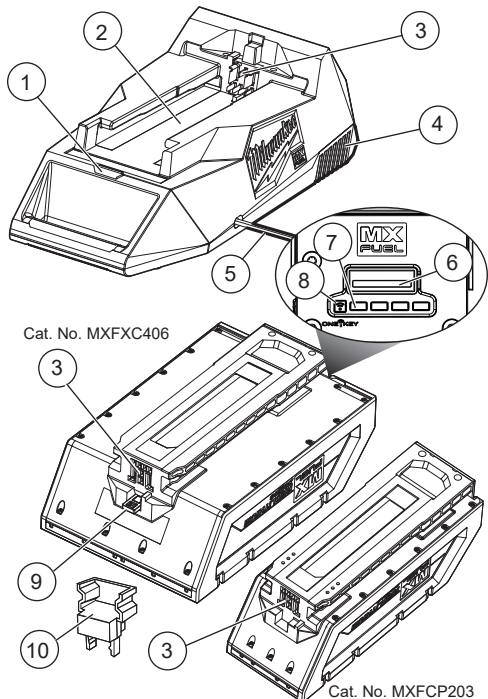
19. GUARDE SU BATERIA Y EL CARGADOR en un sitio fresco y seco. No guarde su batería en sitios donde la temperatura pueda exceder 50°C (120°F) como puede ser dentro de un vehículo o un edificio de metal durante el verano.

20. SIEMPRE ENVÍE LAS BATERÍAS DE LITIO-ION SEGÚN LAS NORMAS ACTUALES QUE GOBIERNEN EL MODO DE TRANSPORTE ELEGIDO (POR EJEMPLO, POR TIERRA, AEREO O MARÍTIMO). En caso de duda, contacte a MILWAUKEE, al transportista o a otro profesional capacitado en artículos peligrosos para determinar cuáles son las normas correspondientes.

ESPECIFICACIONES

Cargador Cat. No	MXFC
Entrada Volts	120 CA
Amperios de entrada máx	3,9 CA
Voltios de salida	72 CD
Amperios de salida máx	4,5 CD
Temperatura ambiente recomendada para cargar	5°C to 40°C (40°F to 105°F)
Cat. de las baterías No.	MXFCP203
Horas de vatios	216
Cat. de las baterías No.	MXFXC406
Horas de vatios	432
Horas de vatios de transporte	216 x 2

DESCRIPCIÓN FUNCIONAL



1. Indicador luminoso del cargador:

- Roja continua: Cargando
- Verde continua: La carga ha terminado
- Parpadeo lento en verde: llegando a la carga completa
- Parpadeo aprisa en rojo: La batería y/o el cargador están demasiado calientes/fríos – la carga comenzará cuando la batería y el cargador alcancen la carga correcta temperatura.

- Parpadeo lento en rojo: La carga de la batería está pendiente - La carga comenzará en un momento.
- Roja y verde intermitente: Batería/cargador dañada o defectuosa

- 2. Compartimento
- 3. Contactos de la batería
- 4. Rejillas de ventilación
- 5. Cable
- 6. Botón del indicador de combustible
- 7. Indicador de la carga
- 8. ONE-KEY™
- 9. Interruptor de transporte
- 10. Tapón de transporte

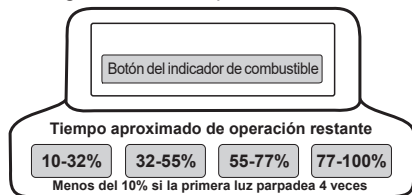
SIMBOLOGÍA

- Volts
- Corriente continua
- Corriente alterna
- Con doble aislamiento
- Recicle las baterías de forma adecuada
- BFP** Retroalimentación protegido
- Hz** Hertzios
- A** Amperios
- Símbolo de alerta de seguridad
- PRECAUCIÓN** Riesgo de descarga eléctrica
- Lire le manuel d'utilisation
- UL Listing Mark para Canadá y Estados Unidos

LA BATERÍA DE IONES DE LITIO MX FUEL™

Indicador de combustible

Las baterías se envían en modo de "suspensión" y deben cargarse antes del primer uso.



Utilice el Indicador de combustible para determinar el tiempo de operación restante de la batería. Oprima el Botón del indicador de combustible para mostrar las luces. El Indicador de combustible encenderá de 2 a 3 segundos. Cuando quede menos de 10 % de carga, 1 luz del indicador de combustible parpadeará 4 veces. Cuando la batería alcance el 0 % de carga, 1 luz del indicador de combustible parpadeará 8 veces. Cargue la batería.

Un patrón parpadeante alternativo indica que se encontró un error o estado de sobret temperatura. Permita que la batería se enfríe y vuélvala a insertar. Si el patrón continúa, comuníquese con una instalación de servicio MILWAUKEE.

El Indicador de combustible no funcionará cuando se jale del Interruptor de transporte en el MXFXC406.

Si el Indicador de combustible no parece funcionar, coloque la batería en el cargador y cargue como sea necesario.

Inmediatamente después de utilizar una batería, el Indicador de combustible puede mostrar una carga menor que si se hubiera revisado unos minutos después. Las celdas de la batería "recuperan" parte de la carga después de estar sin funcionar.

Bajo circunstancias extremas, la temperatura interna de la batería podría elevarse mucho. Si esto sucede, las luces del indicador de combustible parpadearán en un patrón alternativo y la herramienta no operará. Permita que la batería se enfríe.

Luces del indicador de carga	Diagnóstico	Solución
Luces 1 a 4, continuas	Tiempo de funcionamiento restante	Continuar funcionando
1 luz de parpadeo lento	Menos del 10% de tiempo de funcionamiento restante	Preparar el paquete de batería para una carga
1 luz de parpadeo rápido	Se terminó de descargar	Cargar el paquete de batería
Luces 1 a 4, de parpadeo rápido	Consumo de corriente excesivo	Soltar el gatillo. Una vez que el medidor de combustible ha dejado de parpadear, reinicie y reduzca la presión.
Luces 1 y 3/ Luces 2 y 4, de parpadeo alternado	Temperatura del paquete de batería muy elevada	Soltar el gatillo y dejar que el paquete de batería se enfríe
Luces 1 y 4/ Luces 2 y 3, de parpadeo alternado	Error de comunicación	Extraiga la batería. Presione el botón de indicador de combustible para borrar. Vuelva a colocar la batería. [†]

† If the Si el problema persiste, lleve la herramienta, el cargador y el paquete de baterías a una instalación de servicio de MILWAUKEE.

Protección del paquete de batería

Para protegerla de daños y extender su duración, el circuito inteligente del paquete de batería monitorea el consumo de corriente y la temperatura. En situaciones con una fuerza de torsión demasiado alta, agarrotamiento, paros y cortocircuitos, el paquete de batería APAGARÁ la herramienta si el consumo de corriente aumenta excesivamente. Las luces del indicador de carga comenzarán a parpadear. Suelte el gatillo, esperar a que el medidor de combustible deje de parpadear y, a continuación, reinicie.

Funcionamiento en clima frío

El paquete de batería de iones de litio de MILWAUKEE están diseñados para funcionar en temperaturas bajo cero. Cuando el paquete de batería se encuentre muy fría, colóquela en una herramienta y utilice ésta en una tarea ligera.

⚠ ADVERTENCIA Para reducir el riesgo de incendio, lesiones personales y daños al producto debido a un cortocircuito, no sumerja nunca la herramienta, el paquete de baterías o el cargador en líquido ni permita que fluya un fluido dentro de ellos. Los fluidos corrosivos o conductivos, como el agua de mar, ciertos productos químicos industriales y blanqueadores o lejías que contienen, etc., pueden causar un cortocircuito.

Mantenimiento y almacenamiento de la batería

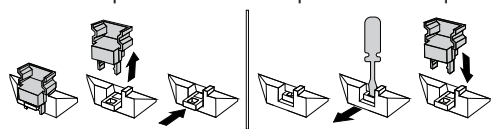
No exponga la batería ni las herramientas inalámbricas a agua o lluvia, ni deje que se mojen. Esto podría dañar la batería y la herramienta. No usar aceite ni disolventes para limpiar o lubricar la batería. Su cubierta de plástico se quebrará y agrietará, creando un riesgo de lesiones.

Almacene las baterías a temperatura ambiente, alejadas de la humedad. No almacene en lugares húmedos donde puede haber una corrosión de las terminales. Al igual que con los otros tipos de batería, puede haber una pérdida permanente de capacidad si la batería se almacena por periodos largos a temperaturas altas (más de 120 °F). Las baterías de litio-ion de MILWAUKEE mantienen su carga durante almacenamientos por más tiempo que otros tipos de batería. Después de aproximadamente 6 meses de almacenamiento, cargue la batería como siempre.

Transporte

Las normas de transporte de baterías de litio-ion se ven afectadas si la batería se transporta en un vehículo personal o se ofrece el transporte mediante un transportista comercial. Se permite el transporte personal de baterías de litio-ion cuando se realiza de conformidad con estas advertencias e instrucciones. Al enviar baterías de litio-ion con un transportista comercial, se envían bajo la clasificación UN 3480 (batería únicamente) o UN 3481 (baterías incluidas o empacadas con el equipo). El correcto embalaje, etiquetado, marcado y requisitos de documentación dependen generalmente si las baterías tienen una clasificación mayor o menor a 100 Wh. Con frecuencia, se "excepcionan" las baterías de litio-ion con clasificación de 100 Wh o menos de ciertas normas de envío. En los EE. UU., los productos enviados por transporte por tierra pueden "exceptuarse" de ciertas normas de envío de material peligroso si están por debajo de los 300 Wh.

A fin de garantizar que la batería MXFXC406 esté debajo de los 300 Wh durante el transporte, el interruptor de transporte debe estar en posición de bloqueo:



Para desbloquear

Para bloquear

1. Jale la lengüeta del interruptor de transporte.
2. Instale el tapón de transporte incluido en la batería al momento de su compra o fije una abrazadera de cable por el agujero en la lengüeta del interruptor de transporte.

Siempre envíe las baterías de litio-ion según las normas actuales que gobiernen el modo de transporte elegido (por ejemplo, por tierra, aéreo o marítimo). En caso de duda, contacte a MILWAUKEE, al transportista o a otro profesional capacitado en artículos peligrosos para determinar cuáles son las normas correspondientes.

⚠ ADVERTENCIA Para reducir el riesgo de lesiones o explosión, nunca quemé ni incinere una batería incluso si está dañada, muerta o completamente descargada. Cuando se quema, se producen humos y materiales tóxicos.

Desecho de baterías de iones de litio

Las baterías de iones de litio son menos dañinas para el medioambiente que otros tipos de baterías para herramientas eléctricas (por ejemplo, níquel-cadmio). Siempre deseche su batería siguiendo las normas federales, estatales y locales. Póngase en contacto con la agencia de reciclaje en su área para averiguar dónde se pueden reciclar.

Incluso las baterías descargadas contienen algo de energía. Antes de desecharlas, use cinta aislante para cubrir los terminales e impedir que la batería haga un cortocircuito que pudiera causar un incendio o una explosión.

Sellos de Reciclaje de Baterías RBRC

Los Sellos de Reciclaje de Baterías RBRC™ (véase “Simbología”) en las baterías de su herramienta indican que MILWAUKEE ha hecho los arreglos pertinentes para reciclar dichas baterías con la Rechargeable Battery Recycling Corporation (Corporación de Reciclaje de Baterías Recargables, o RBRC por sus siglas en inglés). Al final de la vida útil de las baterías, devuelva éstas a la Oficina Principal/Centro de Servicio de MILWAUKEE o el distribuidor autorizado más cercano a usted. Si desea mayor información, visite el sitio web de RBRC en www.rbrc.org.

ONE-KEY™ (MXFXC406 solamente)

Para obtener más información acerca de la funcionalidad de ONE-KEY™, por visite milwaukeeool.com/One-Key. Para descargar la aplicación ONE-KEY™, visite la App Store o Google Play desde su dispositivo inteligente.

Indicador ONE-KEY™	
Azul fijo	El modo inalámbrico está activo y listo para configurar a través de la aplicación ONE-KEY™.
Azul intermitente	La herramienta tiene una comunicación activa con la aplicación ONE-KEY™.
Rojo intermitente	La herramienta tiene activo el bloqueo de seguridad y sólo podrá desbloquearla el dueño a través de la aplicación ONE-KEY™.

CARGADOR MX FUEL™

⚠️ ADVERTENCIA Cargue únicamente las baterías de litio-ion de MILWAUKEE en este cargador de litio-ion de MILWAUKEE. Otros tipos de baterías pueden causar lesiones personales o daños.

Cuándo cambiar la batería

Quite la batería de la herramienta para cargarla cuando le resulte conveniente a usted y a su trabajo. Las baterías de iones de litio MILWAUKEE no desarrollan una “memoria” cuando se cargan después de solamente una descarga parcial. No es necesario descargar completamente la batería antes de colocarla en el cargador.

- Utilice el indicador de carga (en la herramienta o la batería) para determinar cuándo necesita cargar la batería de iones de litio de MILWAUKEE.
- Puede “cargar hasta el tope” la batería antes de comenzar una tarea importante o un día en el que se va a usar durante mucho tiempo.

- La única vez que es necesario cargar las baterías de litio-ion de MILWAUKEE es cuando se ha agotado la carga de la batería. Para indicar una carga agotada, la energía que suministra la herramienta disminuirá rápidamente, dándole solo energía suficiente para terminar la operación. Cargue la batería según sea necesario.

Cómo cargar la batería

- Alinee la batería con la base y deslice la batería hacia el interior del cargador tanto como sea posible. Se encenderá el foco rojo, ya sea parpadeando rápidamente (la batería o cargador está demasiado fría o caliente), parpadeando lentamente (la batería está esperando a que otra batería termine de cargarse) o continuamente (la batería se está cargando).
- Una batería completamente descargada con una temperatura interna dentro del rango normal se terminará de cargar en entre 45 y 90 minutos, dependiendo del paquete de baterías y de la temperatura interna del cargador.
- Las baterías con cicloado frecuente pueden tardar más tiempo en cargarse por completo.
- Las luces del Indicador de combustible aparecen a medida que se está cargando, indicando cuánta carga tiene el paquete. El indicador de combustible se apagará cuando la carga esté completa.
- Después de que la carga esté completa, aparecerá la luz verde continua.
- El cargador mantendrá el paquete de batería completamente cargado si se deja en el cargador. El indicador de luz será el mismo que la carga normal.
- Si el indicador de luz parpadea en rojo y verde, verifique que el paquete de baterías esté completamente fijo en el compartimiento. Retire la batería y vuélvala a insertar. Si la luz continúa parpadeando en rojo y verde, retire la(s) batería(s) y desconecte el cargador por al menos 2 minutos. Después de 2 minutos, enchufe el cargador de nuevo e inserte la batería. Si el problema continúa, comuníquese con una instalación de servicio MILWAUKEE.
- Si el indicador de luz no se enciende, verifique que la batería esté completamente fija en el compartimiento. Retire la batería y vuélvala a insertar. Si el indicador de luz todavía no se enciende, retire la(s) batería(s) y desconecte el cargador por al menos 2 minutos. Después de 2 minutos, enchufe el cargador de nuevo e inserte la batería. Si después de estos intentos el indicador de luz no se enciende, comuníquese con una instalación de servicio MILWAUKEE.

Carga de una batería caliente o fría

La luz indicadora intermitente roja rápido del cargador indica que la temperatura de la batería o cargador está fuera del rango de carga. Una vez que la batería o cargador está dentro del rango de carga aceptable, se producirá la carga normal y la luz roja será continua. Si está caliente o fría, la batería puede tardar más tiempo en cargarse.

Estado de carga de iones de litio		
Temperatura del paquete de batería o cargador	Luz indicadora roja del cargador	Estado de carga
Demasiado caliente	Intermitente	No está cargando
Temperatura apropiada	Continua	Carga normal
Demasiado fría	Intermitente	No está cargando

Suministro de energía al cargador con un inversor o un generador

El cargador operará con la mayoría de los 120 V generadores y osciladores con clasificación de 600 vatios o más.

Mantenimiento y almacenaje

Almacene su cargador en un lugar frío y seco. Como práctica general, se recomienda desconectar los cargadores y retirar las baterías cuando no se estén usando. Sin embargo, las baterías no se dañarán si el cargador y la batería se dejan conectados.

Reparaciones

El Cargador no contiene piezas que puedan repararse.

▲ ADVERTENCIA Para reducir el riesgo de lesiones, desenchufe siempre el cargador y quite la batería del mismo antes de realizar mantenimiento. Nunca desarme la batería ni el cargador. Póngase en contacto con un centro de reparaciones MILWAUKEE para TODAS las reparaciones.

Para reducir el riesgo de lesiones y daños, nunca sumerja la batería o el cargador en un líquido ni permita que les entre líquido.

Limpieza

Limpia el polvo y los residuos de las rejillas de ventilación del cargador y los contactos eléctricos con aire comprimido. Use solamente un jabón suave y un paño húmedo para limpiar la batería y el cargador, manteniéndolos alejados de todos los contactos eléctricos. Ciertos agentes limpiadores y disolventes son perjudiciales para los plásticos y para otras piezas aisladas. Algunos de estos son la gasolina, turpentina, thinner, soluciones limpiadoras con cloro, amoníaco y detergentes caseros que contengan amoníaco. Nunca use disolventes inflamables o combustibles alrededor de las baterías, el cargador o las herramientas.

SOPORTE DE SERVICIO - MEXICO

CENTRO DE ATENCIÓN A CLIENTES
Techtronic Industries Mexico, S.A. de C.V.

Av. Presidente Masarik 29 Piso 7
11560 Polanco V Seccion
Miguel Hidalgo, Distrito Federal, México
01 (800) 030-7777 o (55) 4160-3540
Lunes a Viernes (9am a 6pm)

O contáctanos en www.milwaukeeetool.com.mx

GARANTÍA LIMITADA - E.U.A. Y CANADÁ

Cada la batería y cargador MX FUEL™ de MILWAUKEE únicamente está garantizados para el comprador original únicamente de que no tengan material y mano de obra defectuosos. Conforme a ciertas excepciones, MILWAUKEE reparará o reemplazará cualquier pieza de la batería o cargador MX FUEL™ que tenga defectos de material o mano de obra según lo determine MILWAUKEE mediante una revisión, por un periodo de dos (2) años después de la fecha de compra. Al devolver la batería o cargador MX FUEL™ a un Centro de Servicio de la fábrica de MILWAUKEE o a una Estación de Servicio Autorizada de MILWAUKEE, se requiere que el flete esté pagado por adelantado y asegurado. Para consultar información acerca del procedimiento de envío adecuado de las baterías, comuníquese al número 1.800.SAWDUST (1.800.729.3878) o visite el sitio web www.milwaukeeetool.com. Se debe incluir una copia del comprobante de compra con el producto devuelto. Esta garantía no aplica a daños que MILWAUKEE determine que son ocasionados por reparaciones o intentos de reparaciones realizados por una persona que no sea personal autorizado de MILWAUKEE, uso indebido, alteraciones, maltrato, desgaste normal, falta de mantenimiento o accidentes.

No se requiere el registro de la garantía para obtener la garantía correspondiente en una batería o cargador MX FUEL™. LA ACEPTACIÓN DE LOS RESARCIMIENTOS EXCLUSIVOS DE REPARACIÓN Y REEMPLAZO AQUÍ DESCRITOS ES UNA CONDICIÓN DEL CONTRATO PARA LA COMPRA DE TODO PRODUCTO DE MILWAUKEE. SI USTED NO ACEPTA ESTA CONDICIÓN,

NO DEBE COMPRAR EL PRODUCTO. MILWAUKEE NO SERÁ RESPONSABLE EN NINGUN CASO DE DAÑOS INCIDENTALES, ESPECIALES, EMERGENTES O PUNITIVOS NI DE NINGUN COSTO, HONORARIOS LEGALES, GASTOS, PÉRDIDAS O DEMORAS ALEGADAS COMO CONSECUENCIA DE ALGUN DAÑO, FALLA O DEFECTO EN NINGUN PRODUCTO, INCLUYENDO, ENTRE OTROS, RECLAMACIONES POR PÉRDIDA DE UTILIDADES. ALGUNOS ESTADOS NO PERMITEN LA EXCLUSIÓN O LIMITACIÓN DE RESPONSABILIDAD POR DAÑOS INCIDENTALES O EMERGENTES, POR LO QUE LA ANTERIOR LIMITACIÓN O EXCLUSIÓN PODRÍA NO APLICARSE A SU CASO. ESTA GARANTÍA ES EXCLUSIVA Y REEMPLAZA TODAS LAS DEMÁS GARANTÍAS EXPRESAS, ESCRITAS U ORALES. EN LA MEDIDA EN QUE LO PERMITA LA LEY, MILWAUKEE DESCONOCE CUALQUIER GARANTÍA IMPLÍCITA, INCLUYENDO, ENTRE OTRAS, CUALQUIER GARANTÍA IMPLÍCITA DE COMERCIABILIDAD O IDONEIDAD PARA UN FIN O USO ESPECÍFICO. EN LA MEDIDA EN QUE DICHO DESCARGO NO ESTÉ PERMITIDO POR LA LEY, DICHAS GARANTÍAS IMPLÍCITAS ESTÁN LIMITADAS A LA DURACIÓN DE LA GARANTÍA EXPRESA CORRESPONDIENTE QUE SE DESCRIBIÓ CON ANTERIORIDAD. ALGUNOS ESTADOS NO PERMITEN LIMITACIONES EN DURACIÓN DE UNA GARANTÍA IMPLÍCITA, POR LO QUE LA ANTERIOR LIMITACIÓN PODRÍA NO APLICARSE A SU CASO. ESTA GARANTÍA LE DA DERECHOS LEGALES ESPECÍFICOS Y USTED PODRÍA ADEMÁS TENER OTROS DERECHOS QUE VARIAN DE UN ESTADO A OTRO.

Esta garantía aplica a productos vendidos únicamente en los EE. UU. y Canadá.

Consulte la sección "Buscar centro de servicio" en la sección de "Piezas y servicio" del sitio web de MILWAUKEE en <http://www.milwaukeeetool.com> o llame al número 1.800.SAWDUST (1.800.729.3878) para localizar su centro de servicio más cercano para fines de servicio, con y sin garantía, en una batería o cargador MX FUEL™.

PÓLIZA DE GARANTÍA - VALIDA SOLO PARA MEXICO, AMERICA CENTRAL Y EL CARIBE

La garantía de TECHTRONIC INDUSTRIES es por 2 años a partir de la fecha original de compra.

Esta tarjeta de garantía cubre cualquier defecto de material y mano de obra en ese Producto.

Para hacer válida esta garantía, presente esta tarjeta de garantía, cerrada/sellada por el distribuidor o la tienda donde compró el producto, al Centro de Servicio Autorizado (ASC). O, si esta tarjeta no se ha cerrado/sellado, presente la prueba original de compra a ASC. Llame 55 4160-3547 para encontrar el ASC más cercano, para servicio, partes, accesorios o componentes.

Procedimiento para hacer válida esta garantía

Lleve el producto a ASC, junto con la tarjeta de garantía cerrada/sellada por el distribuidor o la tienda donde compró el producto, y cualquier pieza o componente defectuoso se reemplazará sin costo para usted. Cubriremos todos los costos de flete con relación a este proceso de garantía

Excepciones

Esta garantía no tendrá validez en las siguientes situaciones:

- Cuando el producto se use de manera distinta a la que indica el manual del usuario final o de instrucciones.
- Cuando las condiciones de uso no sean normales.
- Cuando otras personas no autorizadas por TECHTRONIC INDUSTRIES modifiquen o reparen el producto.

Nota: si el juego de cables está dañado, tiene que reemplazarse en un Centro de Servicio Autorizado para evitar riesgos eléctricos.

CENTRO DE SERVICIO Y ATENCIÓN

Llame al 55 4160-3547

IMPORTADO Y COMERCIALIZADO POR
TECHTRONIC INDUSTRIES, MEXICO, S.A. DE C.V.
Miguel de Cervantes Saavedra No.301 Piso 5, Torre Norte
11520 Colonia Ampliación Granada
Miguel Hidalgo, Ciudad de Mexico, Mexico

Modelo: _____

Fecha de Compra: _____

Sello del Distribuidor: _____

MILWAUKEE TOOL
13135 West Lisbon Road
Brookfield, Wisconsin, U.S.A. 53005

581402121d3
10/19

961012742-03(A)
Printed in China