

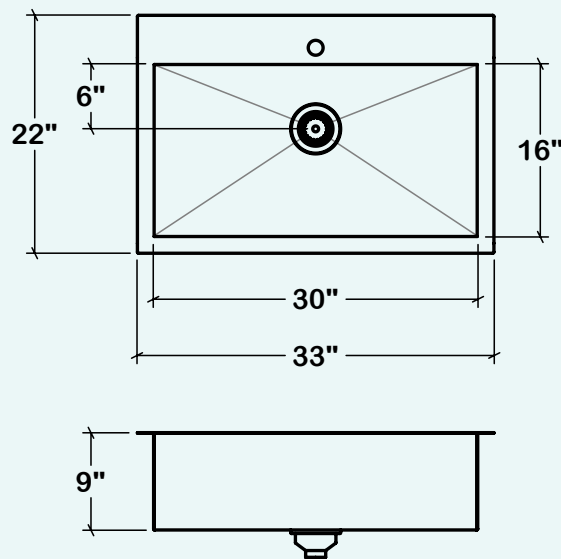
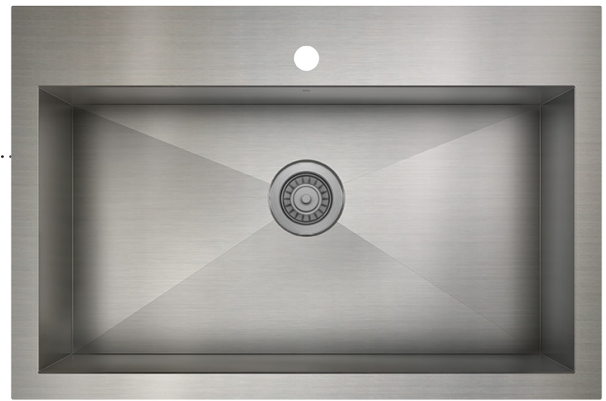
IHO-DS-33229

ProInox H0

Stainless steel kitchen sink

Handcrafted

Urban style corners [0"]



Installation

Dualmount

Bowl

30" x 16" x 9"

Overall

33" x 22" x 9"

Recommended cabinet

36"

Drain

Ø 3 1/2"

Packaging

39" x 32" x 18"

31 lbs

Features

- SET INCLUDES: Sink, stainless steel strainer (AA-SA-3.5-SA) and mounting hardware included, cutout template
- INSTALL sink as a drop-in or undermount
- SINGLE FAUCET HOLE (additional holes can be drilled at no charge)
- STAINLESS STEEL - 18 GAUGE
- STRONG: Corrosion resistant material - 304 series (18/10)
- QUIET: Sound deadening pads for maximum noise reduction.
- MODERN ZERO RADIUS CORNERS maximize workspace in the sink
- CROSS GROOVES: Stylish and functional bowl bottom grooves that facilitate water drainage
- DEEP BOWL: Convenient for washing pots and pans.
- DRAIN located towards rear providing more space under the sink
- LIFETIME LIMITED WARRANTY: Satisfaction guaranteed with customer service that cares
- Perfect replacement sink for home RENOVATION.
- Product certified ASME A112.19.3, CSA B45.0, and CSA B45.4
- PROUDLY DESIGNED IN NORTH AMERICA

Must-have accessories



Colander
IH-CA-16



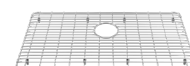
Bin
IH-BI-16



Wood cutting board
IH-BA-16-MA



Plastic cutting board
IH-BB-16-WH



Grid
IH-G-3016