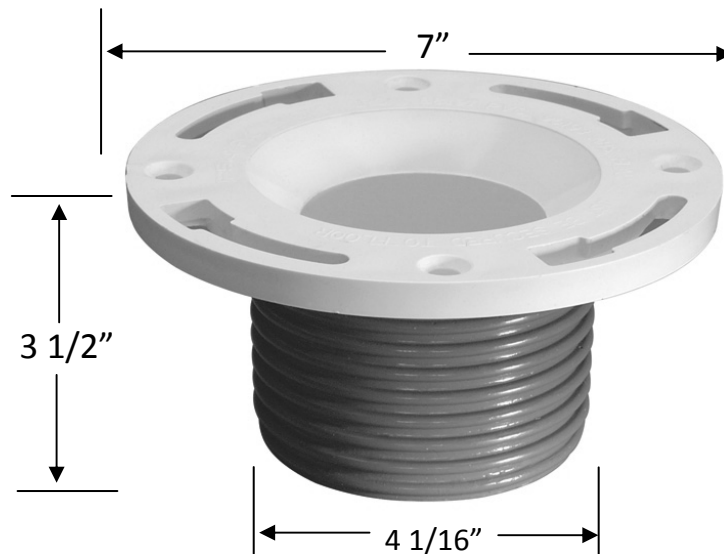


SPECIFICATION:

Furnish and install the Water-Tite Push N' Repair Closet Flange as checked below by IPS® Corporation. Closet flanges fit 3" or 4" PVC, DWV or Cast Iron Pipe. Flange shall be of one-piece construction with gasket permanently attached to hub of flange.



Product Code #	Product Descriptions	Model Number	UPC
86191	3" PVC Push N' Repair Closet Flange	4843	012181-861912
86192	3" ABS Push N' Repair Closet Flange	5843	012181-861929
86193	4" PVC Push N' Repair Closet Flange	4844	012181-861936
86194	4" ABS Push N' Repair Closet Flange	5844	012181-861943